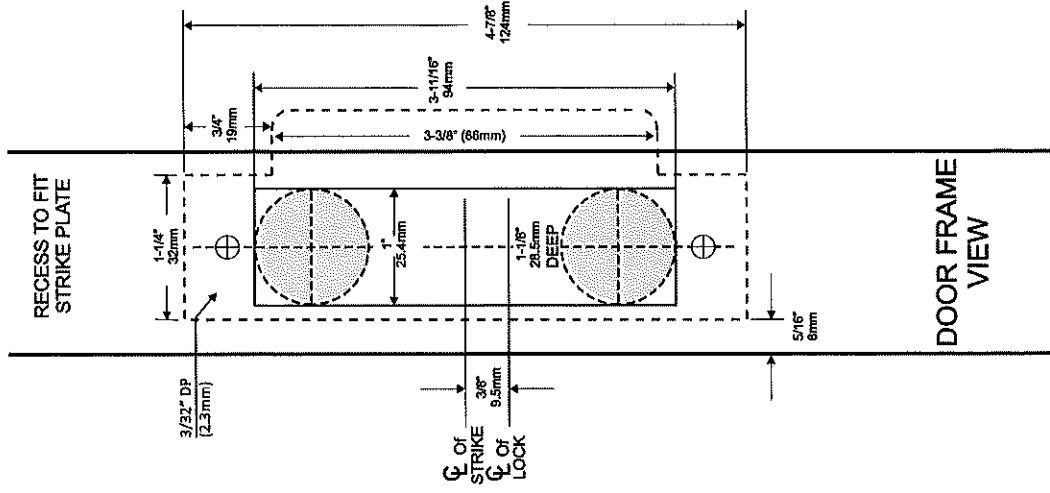
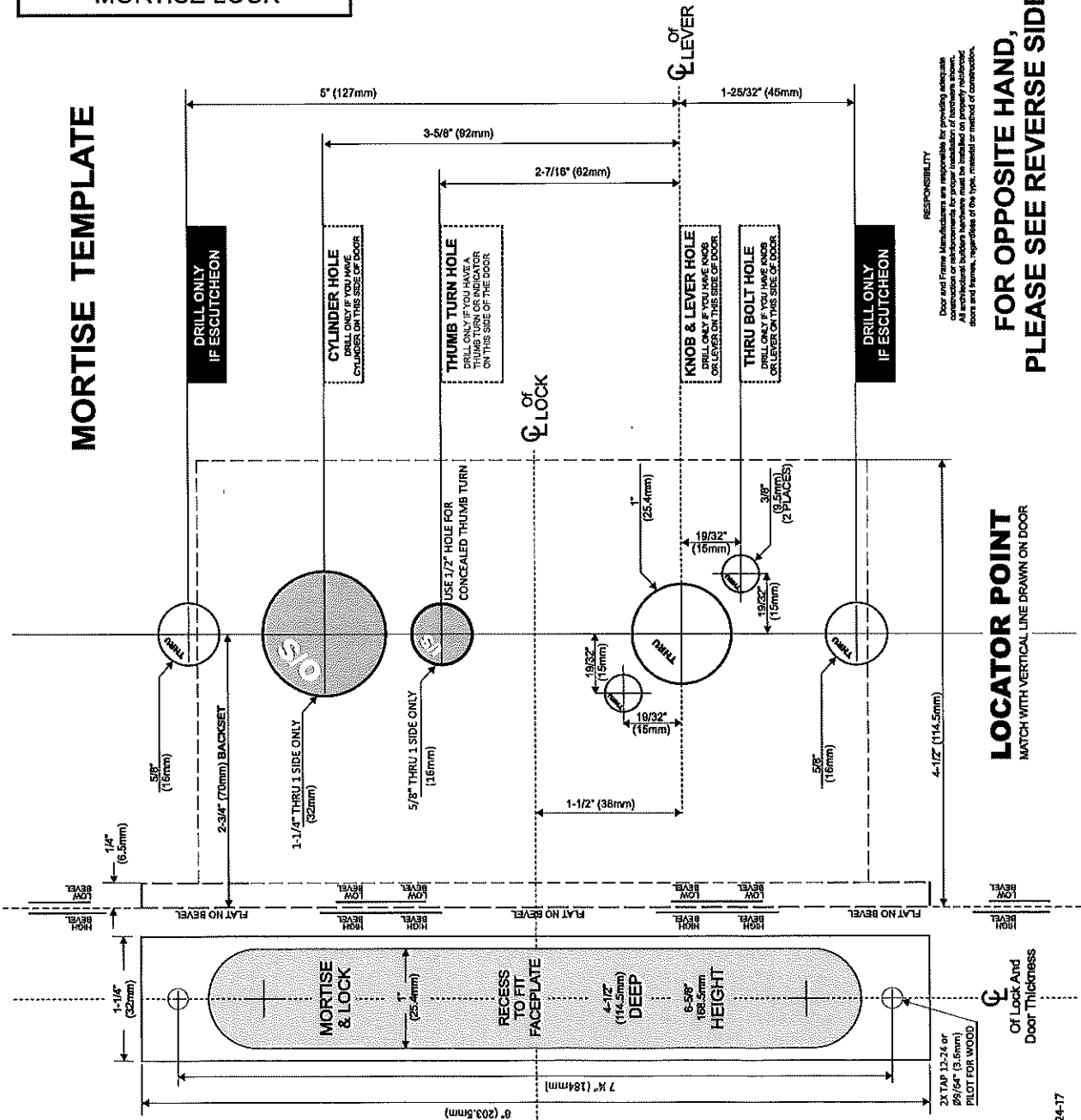


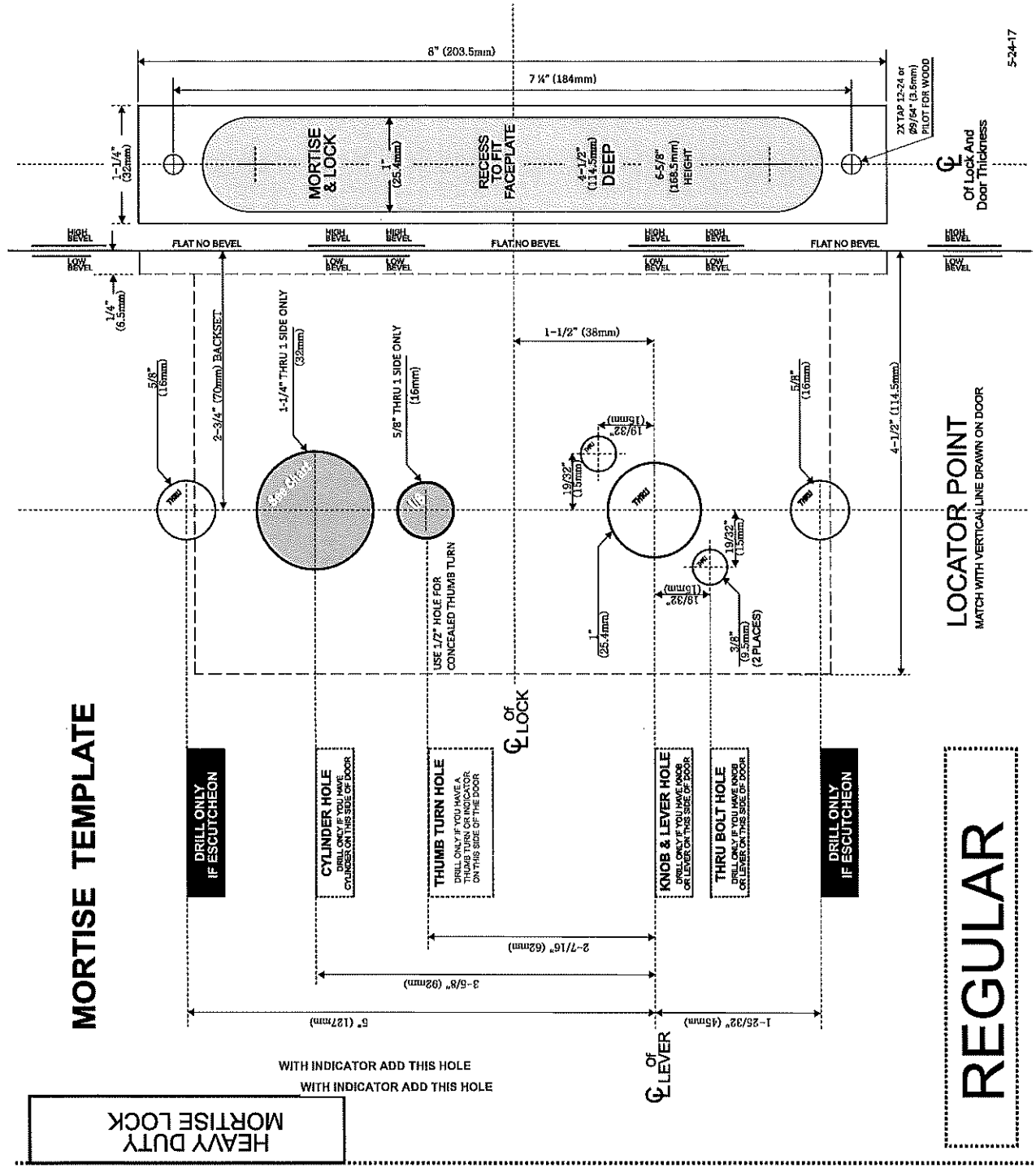
REGULAR



HEAVY DUTY MORTISE LOCK

MORTISE TEMPLATE





DOOR PREPARATION CHART

| LOCK FUNCTION | OUTSIDE | | | INSIDE | | |
|---------------------------------------|------------|---------------|-----------------|------------|---------------|-----------------|
| | Lever Hole | Cylinder Hole | Thumb Turn Hole | Lever Hole | Cylinder Hole | Thumb Turn Hole |
| 01 | ● | | | ● | | |
| 04 / 05 / 06 / 07 | ● | ● | | ● | | |
| 08 / 12 / 13 / 15 / 20 / 21 / 26 | ● | ● | | ● | | ● |
| 09 / 11 / 14 / 30 / 32 / 34 / 35 / 82 | ● | ● | | ● | ● | |
| 2 / 19 / 22 | ● | | ● | ● | | ● |
| 18 | | ● | | | | |
| 17 / 29 | | ● | | | ● | |
| 16 | | ● | | | ● | |
| ADD THIS HOLE ON SIDE W INDICATOR | | | ● | | | ● |

