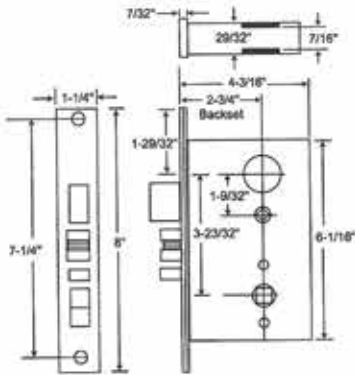
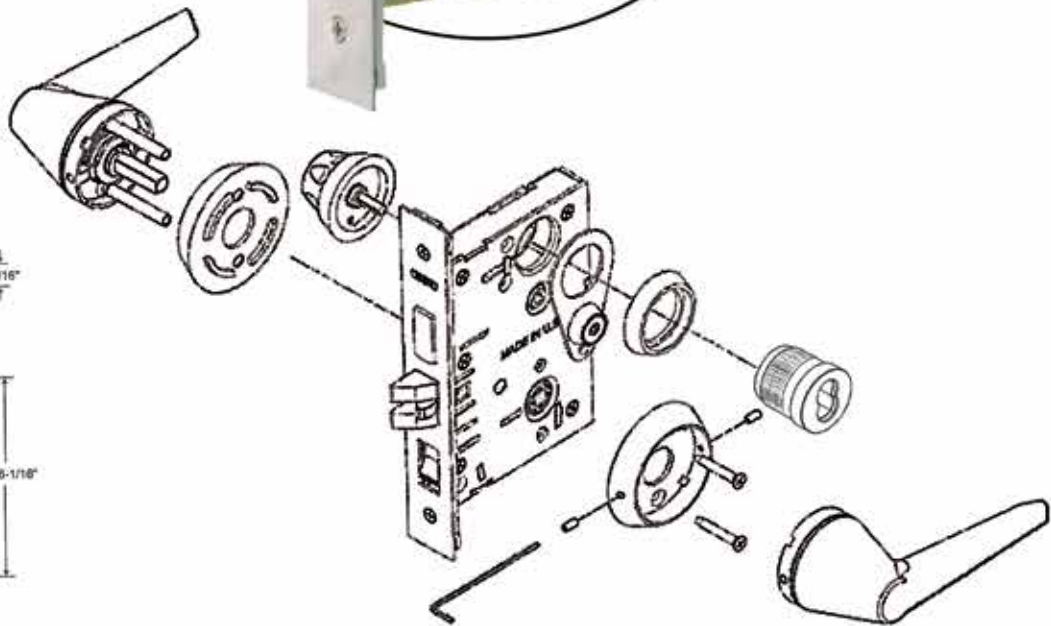
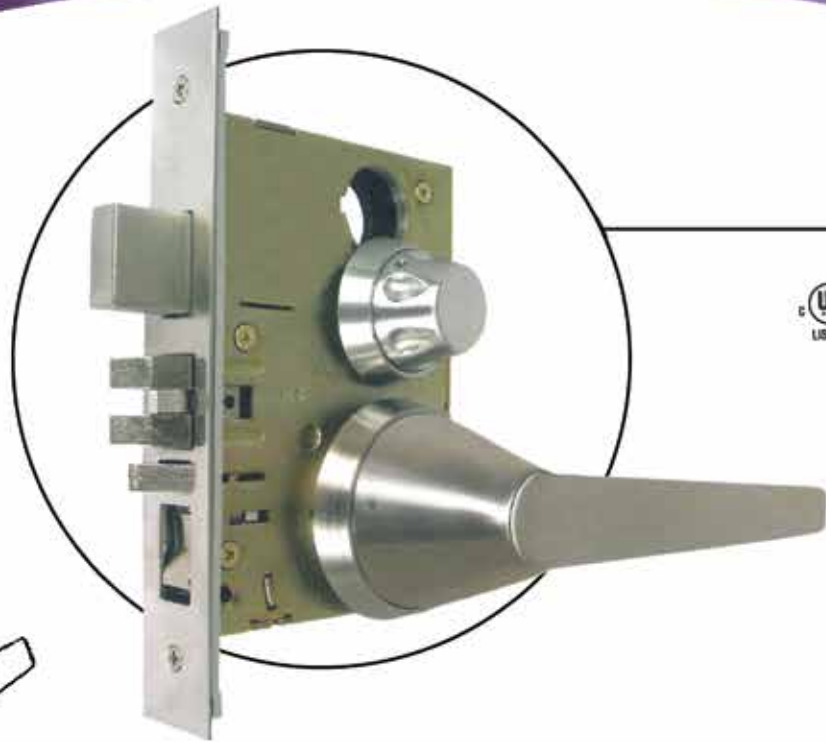




Anti-Ligature



MLR Series Institutional Life Safety Mortise Locksets – Levers



FEATURES:

Performance Specifications:

Life Test: 1,500,000 cycles minimum.

ANSI Test: Meets or exceeds all operational and security tests of ANSI specifications A156.13-2005 for series 5000, Grade 1.

Trim Specifications:

Exterior & Interior Trim:

- Solid stainless steel interior and exterior tapered levers recessed into thru-bolted roses.
- Ergonomically designed grooved turn knob for deadbolt functions.

Cylinder: Solid stainless steel cylinders with solid stainless steel security collars, Accepts 6 or 7 pin Small Format Interchangeable Cores

Strike: 4-7/8" curved lip stainless steel w/tamperproof screws

Door Thickness: 1-3/4" standard; Extended range available

Door Prep: ANSI A115.1 lock face cutout, with 2-1/8" through hole for lever/rose assembly

Lock Front: Adjustable bevel steel backplate 1-1/4" x 8" x 7/64" thick, Cover plate 1/16" thick with tamper proof screws

Latch: Solid stainless steel with antifriction latch lever, 3/4" throw (reversible)

Levers: Solid cast stainless steel. *Levers rotate up & down freely in locked or unlocked position*

Aux. Deadlatch: 1/2" throw, (reversible)

Case: Stamped steel 3/32" thick, zinc dichromate finish

Hubs: Steel, 9/32" on diamond, 5/16" on square w/security separator

Hub Lock Arm: (to lock hub) Steel 1/8" thick

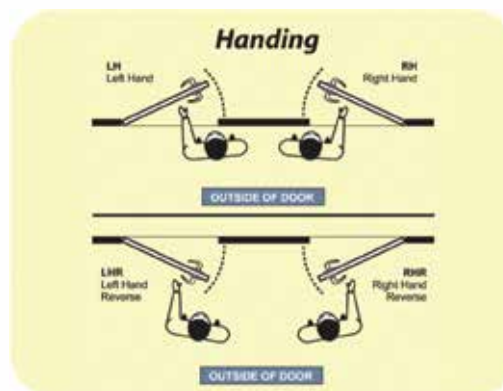
Spindles: Independent spring-loaded spindles

Hand: Handed, Reversible in field.

FUNCTIONS

KEYED SINGLE CYLINDER, NO DEADBOLT		ANSI #
D	OFFICE VEST.	
DW	VESTIBULE	
E	OFFICE	F04
EW	STOREROOM	F07
J	CLASSROOM	F05
JM, JR	HOSPITAL	F06
GL	INSTITUTIONAL PRIVACY	F26
EL	ELECTRICALLY LOCKED	
EU	ELECTRICALLY UNLOCKED	
KEYED SINGLE CYLINDER, WITH DEADBOLT		ANSI #
A	ENTRANCE	F08, F10
B	ENTRANCE	F21
F	DORMITORY	F12
FS	DORMITORY	
FW	DORMITORY	F13
FD	APARTMENT	F20
H	HOTEL	F15
HL	SPECIAL PRIVACY	
KEYED DOUBLE CYLINDER, NO DEADBOLT		ANSI #
G	APARTMENT	F09
GC	INTRUDER LATCHBOLT	F32
GG	CLASSROOM SECURITY	
GR	CLASSROOM SECURITY wHOLDBACK	
WW	INSTITUTIONAL	F30

KEYED DOUBLE CYLINDER, WITH DEADBOLT		ANSI #
AC	ENTRANCE	F35
C	STOREROOM	F14
CT	SPECIAL FUNCTION	
FC	INTRUDER DEADBOLT	F34
FA	DORMITORY	F11
FX	DORMITORY	F33
KEYLESS		ANSI #
N	PASSAGE	F01
L	BATHROOM	F02
LF	PRIVACY	F19
LJ	PRIVACY	F22
EX	EXIT	F31
DUMMY TRIM		ANSI #
DI	DUMMY TRIM INSIDE	
DO	DUMMY TRIM OUTSIDE	
DT	FULLY DUMMY	



How To Order	Model Series	Backset	Function Code	Finish	Cylinder	Hand	Options
	MLR	3	A	630	G1	RH	
I/C Core	2 – 2 1/2" 3 – 2 3/4" standard	See Function Chart	630	G1 Keyed — Non-Keyed	RH - Right Hand LH - Left Hand RHR - Right Hand Reverse LHR - Left Hand Reverse	A25 AM Anti-Microbial Coating	

Quick Privacy Access
A9618-1 Shown;
Option Code A25



Function "LJ" F22:

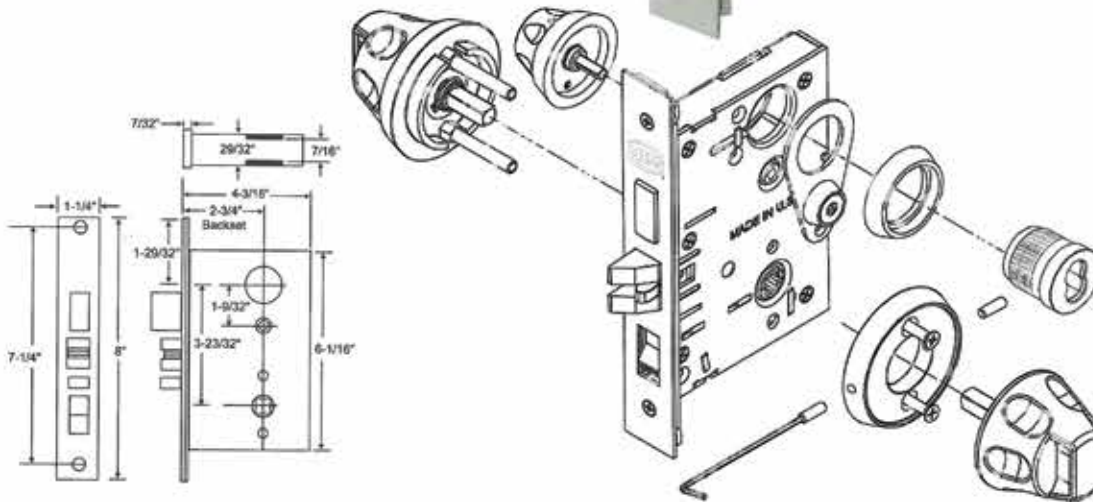
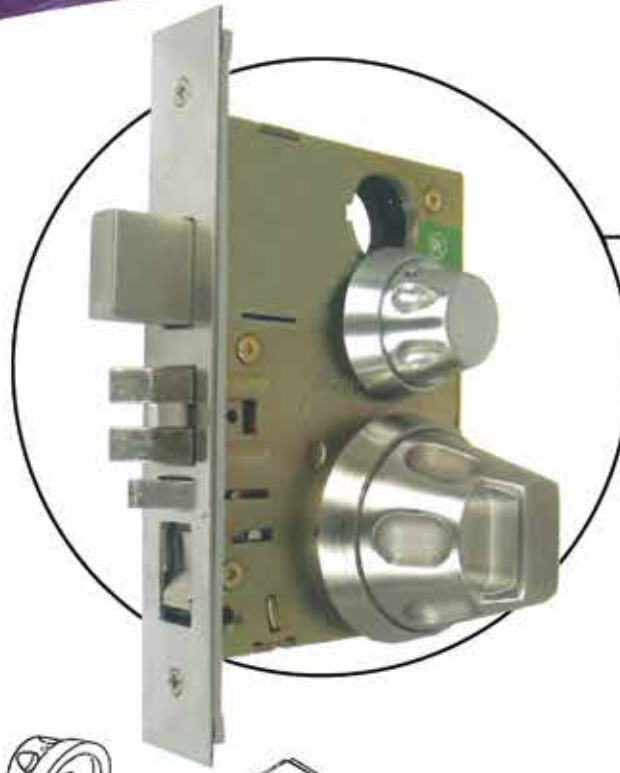
ANSI F22 Latch by lever either side except when outside lever is locked by inside turnpiece. Turning inside lever or closing door unlocks outside lever. To unlock from outside, remove emergency button, insert emergency key in access hole and turn. Optional coin key assembly available.



I/C core throw members ARE included.



MKR Series Institutional Life Safety Mortise Locksets – Knobs



FEATURES:

Performance Specifications:

Life Test: 1,500,000 cycles minimum.

ANSI Test: Meets or exceeds all operational and security tests of ANSI specifications A156.13-2005 for series 5000, Grade 1.

Trim Specifications:

Exterior & Interior Trim:

- Solid stainless steel interior and exterior tapered knobs recessed into thru-bolted roses.
- Safety knobs with recessed grip and finger indents. Safety lever for handicapped access on clutch operated Mortise lock.
- Ergonomically designed grooved turn knob for deadbolt functions.

Cylinder: Solid stainless steel cylinders with solid stainless steel security collars, Accepts 6 or 7 pin Small Format Interchangeable Cores

Strike: 4-7/8" curved lip stainless steel w/tamperproof screws

Door Thickness: 1-3/4" standard; Extended range available

Door Prep: ANSI A115.1 lock face cutout, with 2-1/8" through hole for knob/rose assembly

Lock Front: Adjustable bevel steel backplate 1-1/4" x 8" x 7/64" thick, Cover plate 1/16" thick with tamper proof screws

Latch: Solid stainless steel with antifriction latch lever, 3/4" throw (reversible)

Knobs: Solid cast stainless steel. *Knobs rotate freely in locked or unlocked position*

Aux. Deadlatch: 1/2" throw, (reversible)

Case: Stamped steel 3/32" thick, zinc dichromate finish

Hubs: Steel, 9/32" on diamond, 5/16" on square w/security separator

Hub Lock Arm: (to lock hub) Steel 1/8" thick

Spindles: Independent spring-loaded spindles

Hand: Handed, Reversible in field.

FUNCTIONS

KEYED SINGLE CYLINDER, NO DEADBOLT		ANSI #
D	OFFICE VEST.	
DW	VESTIBULE	
E	OFFICE	F04
EW	STOREROOM	F07
J	CLASSROOM	F05
JM, JR	HOSPITAL	F06
GL	INSTITUTIONAL PRIVACY	F26
EL	ELECTRICALLY LOCKED	
EU	ELECTRICALLY UNLOCKED	

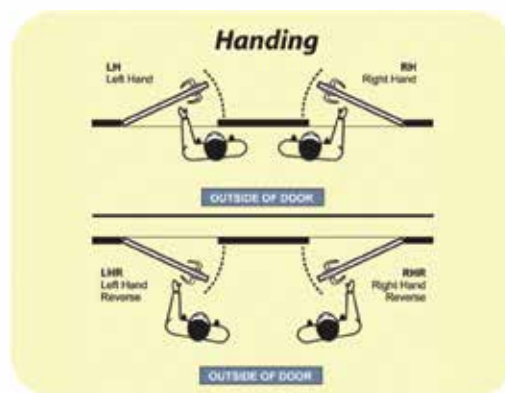
KEYED SINGLE CYLINDER, WITH DEADBOLT		ANSI #
A	ENTRANCE	F08, F10
B	ENTRANCE	F21
F	DORMITORY	F12
FS	DORMITORY	
FW	DORMITORY	F13
FD	APARTMENT	F20
H	HOTEL	F15
HL	SPECIAL PRIVACY	

KEYED DOUBLE CYLINDER, NO DEADBOLT		ANSI #
G	APARTMENT	F09
GC	INTRUDER LATCHBOLT	F32
GG	CLASSROOM SECURITY	
GR	CLASSROOM SECURITY wHOLDBACK	
WW	INSTITUTIONAL	F30

KEYED DOUBLE CYLINDER, WITH DEADBOLT		ANSI #
AC	ENTRANCE	F35
C	STOREROOM	F14
FC	INTRUDER DEADBOLT	F34
FA	DORMITORY	F11
FX	DORMITORY	F33

KEYLESS		ANSI #
N	PASSAGE	F01
L	BATHROOM	F02
LF	PRIVACY	F19
LJ	PRIVACY	F22
EX	EXIT	F31

DUMMY TRIM		ANSI #
DI	DUMMY TRIM INSIDE	
DO	DUMMY TRIM OUTSIDE	
DT	FULLY DUMMY	



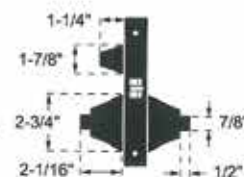
How To Order	Model Series	Backset	Function Code	Finish	Cylinder	Hand	Options
	MKR	3	A	630	G1	RH	
MKR I/C Core	2 - 2 1/2" 3 - 2 3/4" standard	See Function Chart	630	G1 Keyed — Non-Keyed	RH - Right Hand LH - Left Hand RHR - Right Hand Reverse LHR - Left Hand Reverse	A25 AM Anti-Microbial Coating	

Quick Privacy Access
A9618-1 Shown Below;
Option Code A25



Function "LJ" F22:

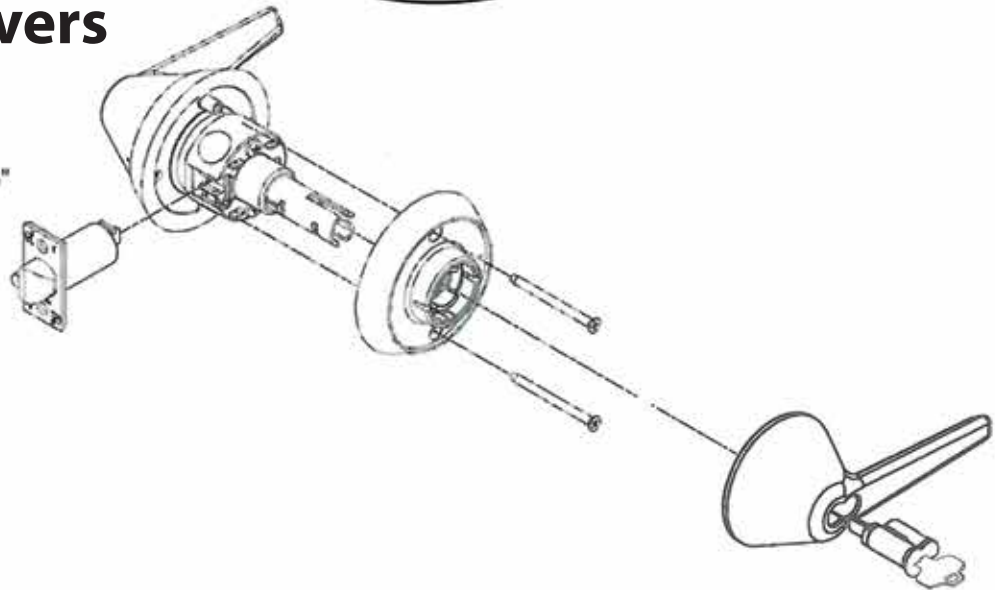
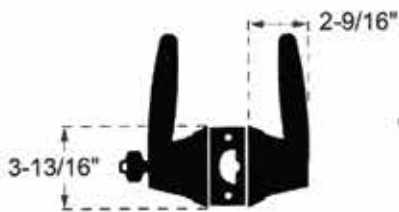
ANSI F22 Latch by knob either side except when outside knob is locked by inside tumpline. Turning inside knob or closing door unlocks outside knob. To unlock from outside, remove emergency button, insert emergency key in access hole and turn. Optional coin key assembly available.



I/C core throw members ARE included.



CLR Series Institutional Life Safety Cylindrical Locksets – Levers



FEATURES:

Performance:

- Life Test: 1,500,000 cycles minimum
- ANSI Test: Meets or exceeds all operational and security tests of ANSI specification 156.2-2011 Grade 1.
- Fire Test: UL listed, 3 hours fire rated.

Trim Specifications:

- Solid Stainless Steel interior and exterior tapered levers for ADA and Anti-Ligature compliance.
- Levers recessed into tapered Stainless Steel thru-bolted rose assemblies
- Small Format Interchangeable Core in lever handle to operate lockset and block lever removal on most functions, including passage.

Door Prep: ANSI 115.2 and/or A115.1W

Door Thickness Range: 1-5/8" through 1-7/8"

Lock Chassis:

Grade 1 compliance with solid Stainless Steel cast retractor.

Latch:

- Solid Stainless Steel with deadlocking pin (depending on function)
- Standard 1/2" throw; Optional 3/4" throw.
- Standard 2-3/4" backset. Optional 2-3/8", 3-3/4", 5" available.
- Standard front size 1-1/8" x 2-1/4".

Strike:

Standard 4-7/8" Stainless Steel; Optional 2-3/4" T strike available.

FUNCTIONS

KEYED		ANSI #
DC	COMMUNICATING	F80
A	ENTRY	F81
B	ENTRY	F82A
AB	ENTRANCE	F109
S	CLASSROOM	F84
F	STOREROOM	F86
DW	INSTITUTION	F87
DA	VESTIBULE	F88
T	CORRIDOR	F90
TK	HOSPITAL/PRIV.	F90 MOD.
GB	STORE DOOR	F91
BS	SVC. STATION LOCK	F92
DB	CLASSROOM INTRUDER	F111
FB	COMM. STOREROOM	F112
SB	COMM. CLASSROOM	F113
FEL	ELECTRICALLY LOCKED	
FEU	ELECTRICALLY UNLOCKED	

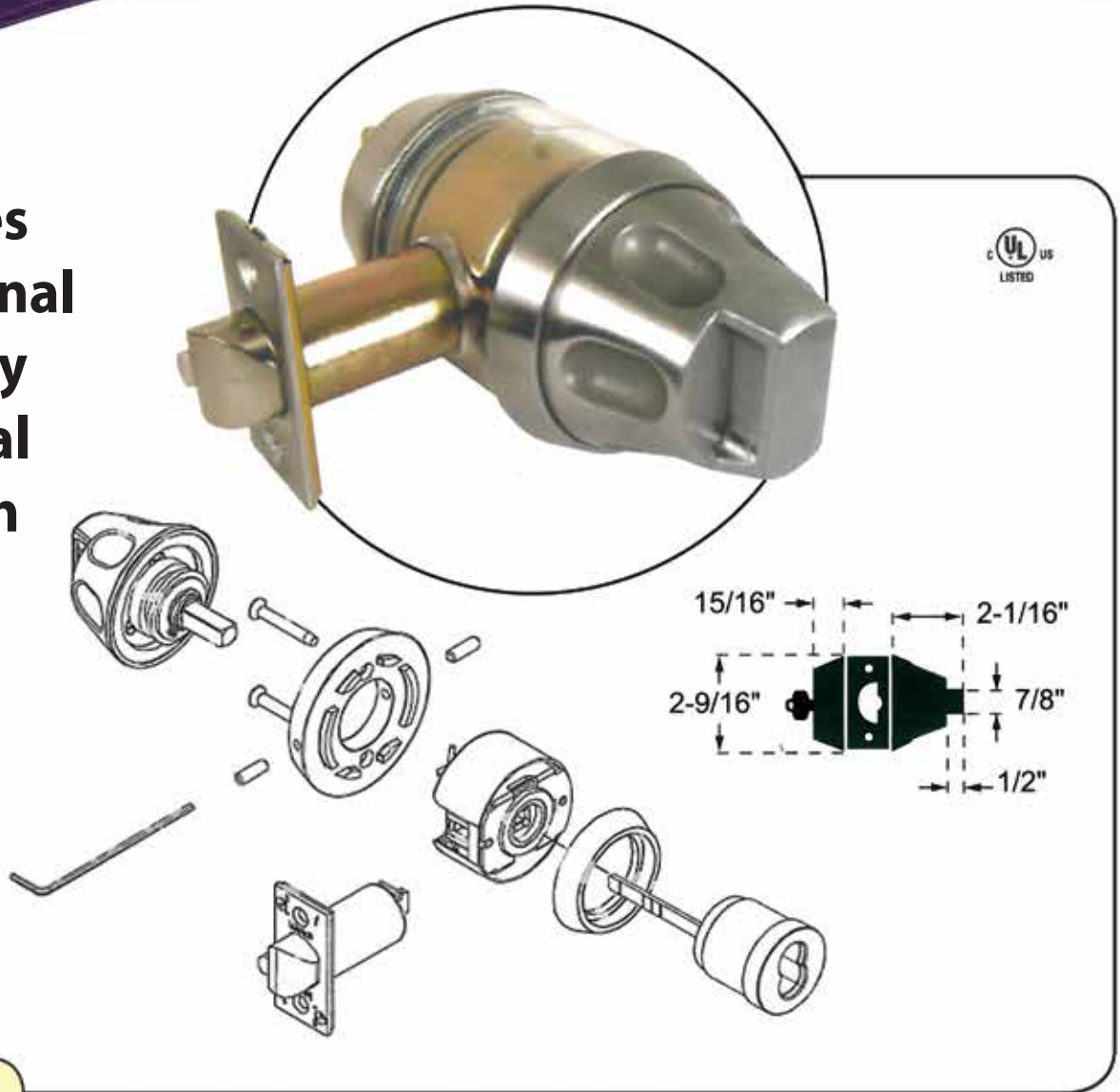
KEYLESS		ANSI #
AQ	EXIT	F83
FQ	EXIT	F89
H	HOTEL	F93
L	PRIVACY	F76
LK	PRIVACY	F76 MOD.
N	PASSAGE	F75
NB	COMM. PASSAGE	F111
P	PATIO	F77
DUMMY TRIM		ANSI #
DO	DUMMY TRIM OUTSIDE	
DT	FUL DUMMY TRIM	

<i>How To Order</i>	Model Series	Backset	Function	Finish	Strike	Options
	CLR	2	A	630	S1	AM
	CLR I/C Core	2 – 2-3/8" 3 – 2-3/4" standard 4 – 3-3/4" 5 – 5"	See Function Chart	630	S1 - ASA Strike standard S2 - T Strike	AM Anti-Microbial Coating

I/C core throw members ARE included.



CKR Series Institutional Life Safety Cylindrical Deadlatch Locksets – Knobs



FEATURES:

Performance Specifications:

Life Test: 1,500,000 cycles minimum.

Trim Specifications:

Exterior & Interior Trim:

- Solid stainless steel interior and exterior tapered knobs recessed into thru-bolted roses.
- Specially designed finger indented safety knobs with recessed grip and ergonomically designed integral grooved turn knob for elderly and handicapped access.
- Needle bearings ensure smoothness of operation.

Cylinder: Solid stainless steel cylinders with solid stainless steel security collars

Strike: #1136, 2-3/4" T strike; #1135 4-7/8" ASA strike optional

Door Thickness: 1-3/4"

Door Prep: ANSI 115.2

Latch: ANSI 156.2, Grade 1, 3 Hour fire rated

Backset: 2-3/4" Backset; 2-3/8", 3-3/4" and 5" backsets also available

Latch Face: 1-1/8" x 2-1/4" with tamper proof screws

Latch Throw: 9/16"

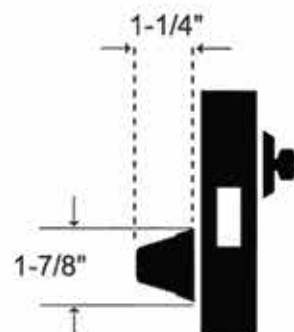
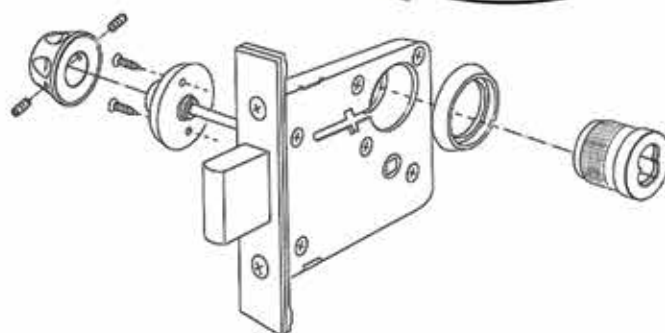
FUNCTIONS

KEYED SINGLE CYLINDER, WITH DEADBOLT		ANSI #
K	CYLINDER x KNOB	E0121
KEYLESS		ANSI #
N	PASSAGE	F75

How To Order

Model Series	Backset	Function Code	Finish	Strike	Options
CKR	3	A	630	S1	
CKR - IC Core	2 - 2 3/8"	See Function Chart	630	S1 ASA Strike standard	AM - Anti-Microbial Coating
	3 - 2 3/4" standard				
	4 - 3-3/4"				
	5 - 5"				

AKR Series Auxiliary Mortise Lock



FEATURES:

ANSI Test:

Meets or exceeds all ANSI A156.5 test specifications

Trim Specifications

Interior Trim: Solid stainless steel interior trim including finger indented safety knobs which recess into solid brass through-bolted roses.

Series 31 Deadlock Specifications ANSI E06071

Cylinder X Turnpiece

Deadbolt by outside key. Interior safety knob will retract but not project deadbolt.

Backset: 2-3/4"

Strike: #4035 1-1/8" x 3-1/8" standard, #3135 4-7/8" x 1-1/4" optional

Bolt Throw: 1" Stainless steel with hardened roll pins

Case: Stamped steel

Front: 1-1/16" x 4-45/8" adjustable bevel

Cylinder: Accepts 6 or 7 pin Small Format Interchangeable Cores.

MORTISE DEADLOCK		ANSI #
K	CYLINDER x KNOB	E 06071
S	CLASSROOM	E 06091

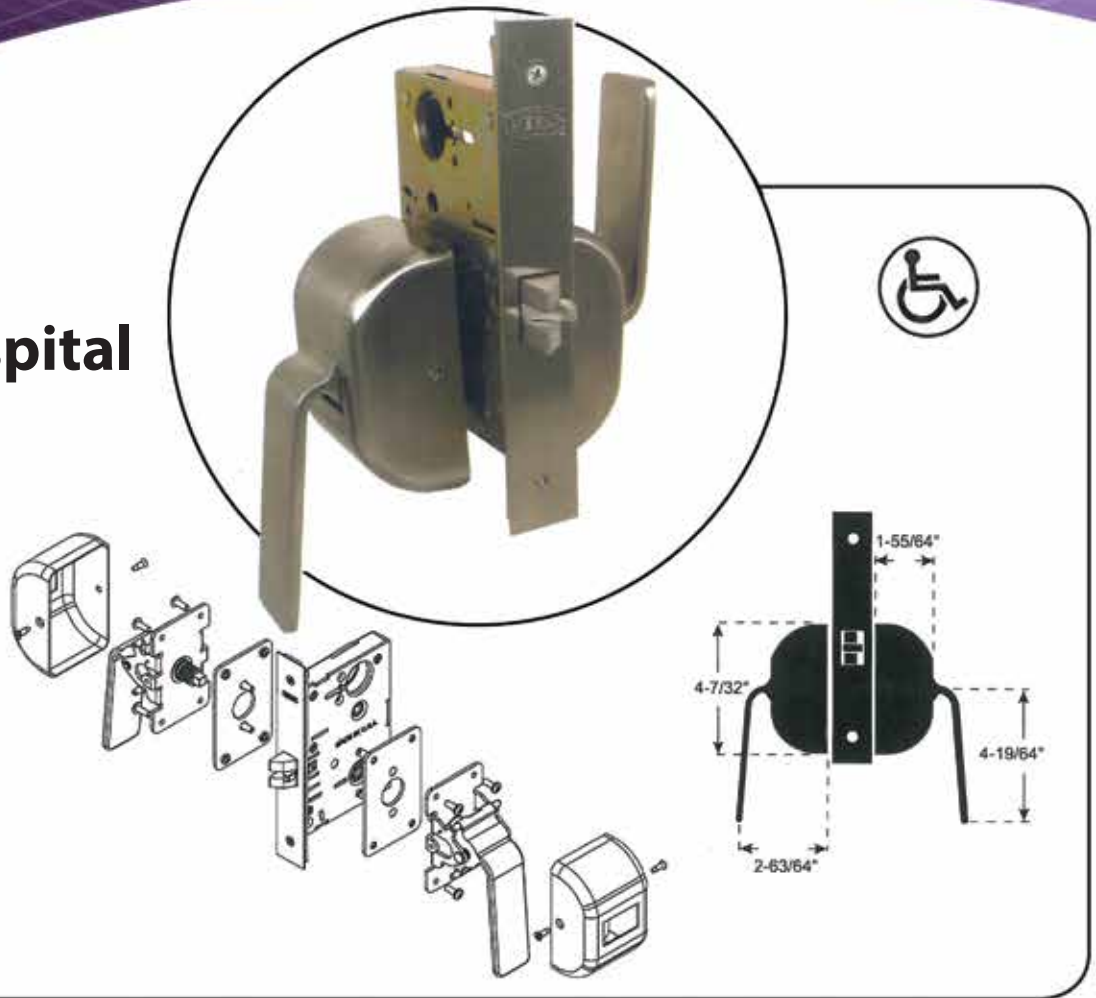
How To Order

Model Series	Function Code	Finish	Cylinder	Strike
AKR	K	630	G1	A
AKR I/C Core	See Function Chart	630	G1 Keyed — Non-Keyed	A - #4035 1-1/8" x 3-1/8" Standard B - #3135 4-7/8" x 1-1/4" Optional

I/C core throw members ARE included.



MPR Series Mortise Hospital Push/Pull Paddlesets



FEATURES:

Mortise - ANSI-A156.13 Grade 1:

Backset: 2-1/2", 2-3/4" standard

Strike: #9035, 4-7/8" ASA curved lip strike

Door Thickness: 1-3/4", self-adjusting for thicker doors

- Lead lining and engraving available
- ADA Compliant

- Non-Handed
- Government standard #161
- Functional, modern design with variable mounting positions
- Short throw angle allows for easy push/pull action to open doors even when hands are not free
- Standard 630 finish
- Universal assemblies can be push/pull vertical up or down
- Easily reversible configuration for push or pull styles

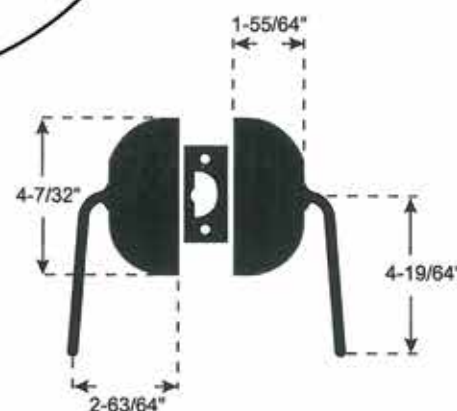
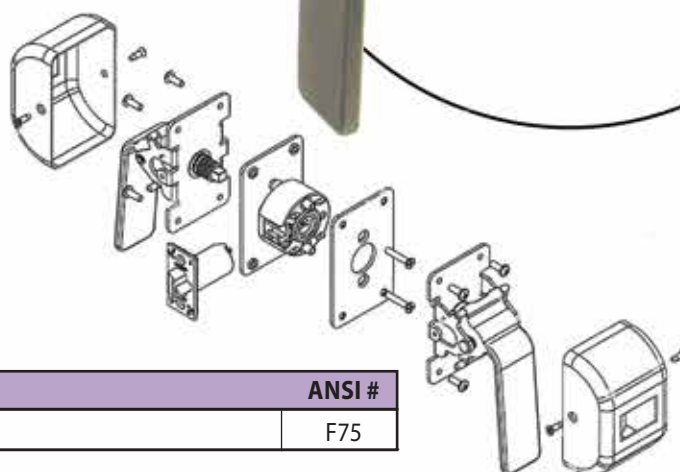
FUNCTIONS

KEYED SINGLE CYLINDER, NO DEADBOLT		ANSI #
D	OFFICE VEST.	
DW	VESTIBULE	
E	OFFICE	F04
EW	STOREROOM	F07
J	CLASSROOM	F05
JM, JR	HOSPITAL	F06
GL	INSTITUTIONAL PRIVACY	F26
EL	ELECTRICALLY LOCKED	
EU	ELECTRICALLY UNLOCKED	
KEYED SINGLE CYLINDER, w/DEADBOLT		ANSI #
A	ENTRANCE	F08, F10
B	ENTRANCE	F21

F	DORMITORY	F12
FS	DORMITORY	
FW	DORMITORY	F13
FD	APARTMENT	F20
H	HOTEL	F15
HL	SPECIAL PRIVACY	
KEYED DOUBLE CYLINDER, NO DEADBOLT		ANSI #
G	APARTMENT	F09
GC	INTRUDER LATCHBOLT	F32
GG	CLASSROOM SECURITY	
GR	CLASSROOM SECURITY w/HOLDBACK	
WW	INSTITUTIONAL	F30
KEYED DOUBLE CYLINDER, w/DEADBOLT		ANSI #
AC	ENTRANCE	F35

C	STOREROOM	F14
FC	INTRUDER DEADBOLT	F34
FA	DORMITORY	F11
FX	DORMITORY	F33
KEYLESS		ANSI #
N	PASSAGE	F01
L	BATHROOM	F02
LF	PRIVACY	F19
LJ	PRIVACY	F22
EX	EXIT	F31
DUMMY TRIM		ANSI #
DI	DUMMY TRIM INSIDE	
DO	DUMMY TRIM OUTSIDE	
DT	FULLY DUMMY	

CPR Series Cylindrical Hospital Push/ Pull Paddlesets



KEYLESS		ANSI #
N	PASSAGE	F75

FEATURES:

Cylindrical - ANSI-A156.2 Grade 1:

Backset: 2-3/4" standard, 2-3/8" and 5" optional
Strike: #1136 2-3/4" "T" strike; #1135 4-7/8" ASA strike optional
Door Thickness: 1-3/4", self-adjusting for thicker doors

- Lead lining and engraving available
- ADA Compliant
- Government standard #161
- Functional, modern design with variable mounting positions
- Short throw angle allows for easy push/pull action to open doors even when hands are not free

- Standard 630 finish
 - Universal assemblies can be push/pull vertical up or down
 - Easily reversible configuration for push or pull styles
- Hand:** Handed, Reversible in field.

How To Order

Model Series	Backset	Function Code	Finish	Cylinder	Options
MPR	3	A	630	G1	
MPR	2 - 2 1/2" 3 - 2 3/4" standard	See Function Chart	630	G1 Keyed — Non-Keyed	AM - Anti - Microbial (contact MBS for details)

How To Order

Model Series	Backset	Function Code	Finish	Strike	Options
CPR	3	A	630	S1	
CPR	2 - 2 3/8" 3 - 2 3/4" standard 4 - 5"	See Function Chart	630	S1 - ASA Strike standard S2 - T Strike	AM - Anti - Microbial EN - Engraving (contact MBS for details)



Marshall Best Security Corporation

www.marshallbestsecurity.com

13097 Parkside Drive, Suite B

Fishers, IN 46038

317-806-1180