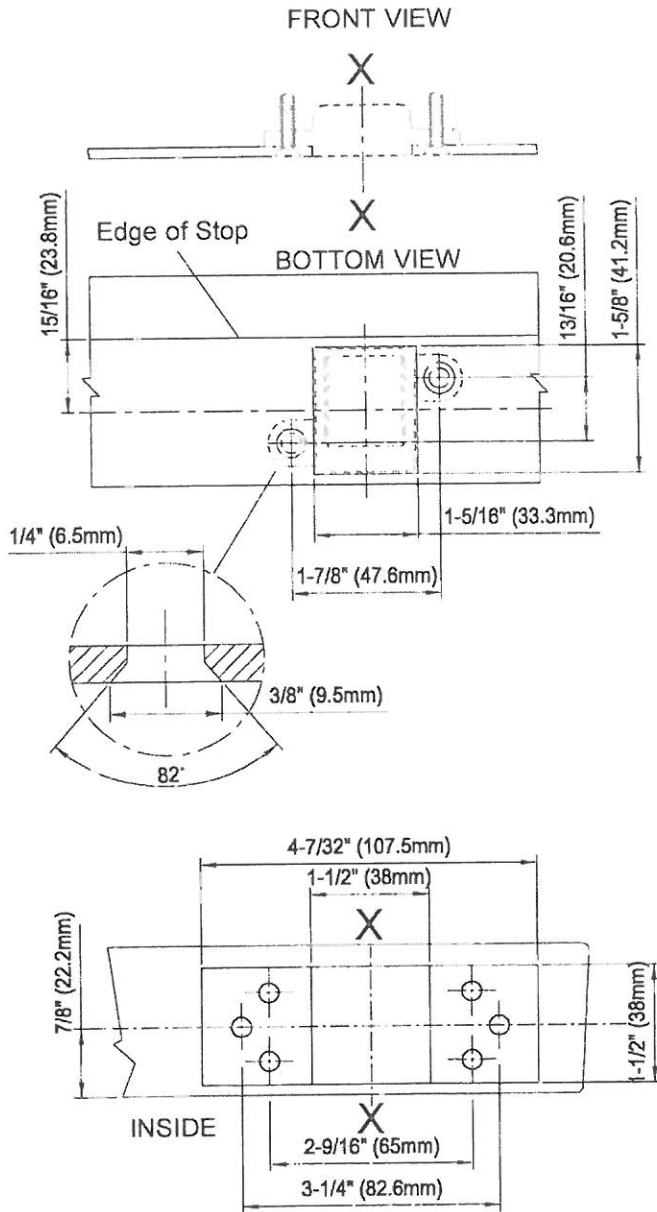




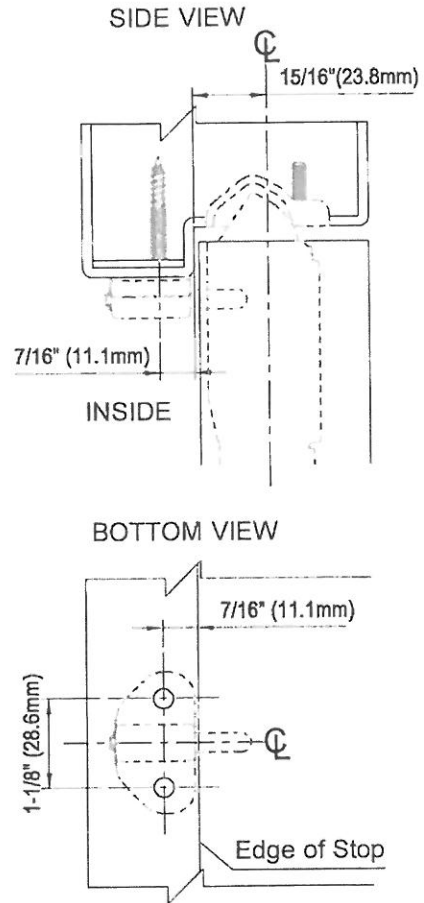
# Template

## Preparation of Top Latch for CVR

### TOP LATCH & 216 STRIKE



### RELEASE PLUNGER



ILL.	APPLICATIONS	DIMENSION	
		METAL	WOOD
○	LATCH & RELEASE PLUNGER	#25 DRILL #10-24 TAP	3 (1/8") DRILL PILOT 1" DEEP