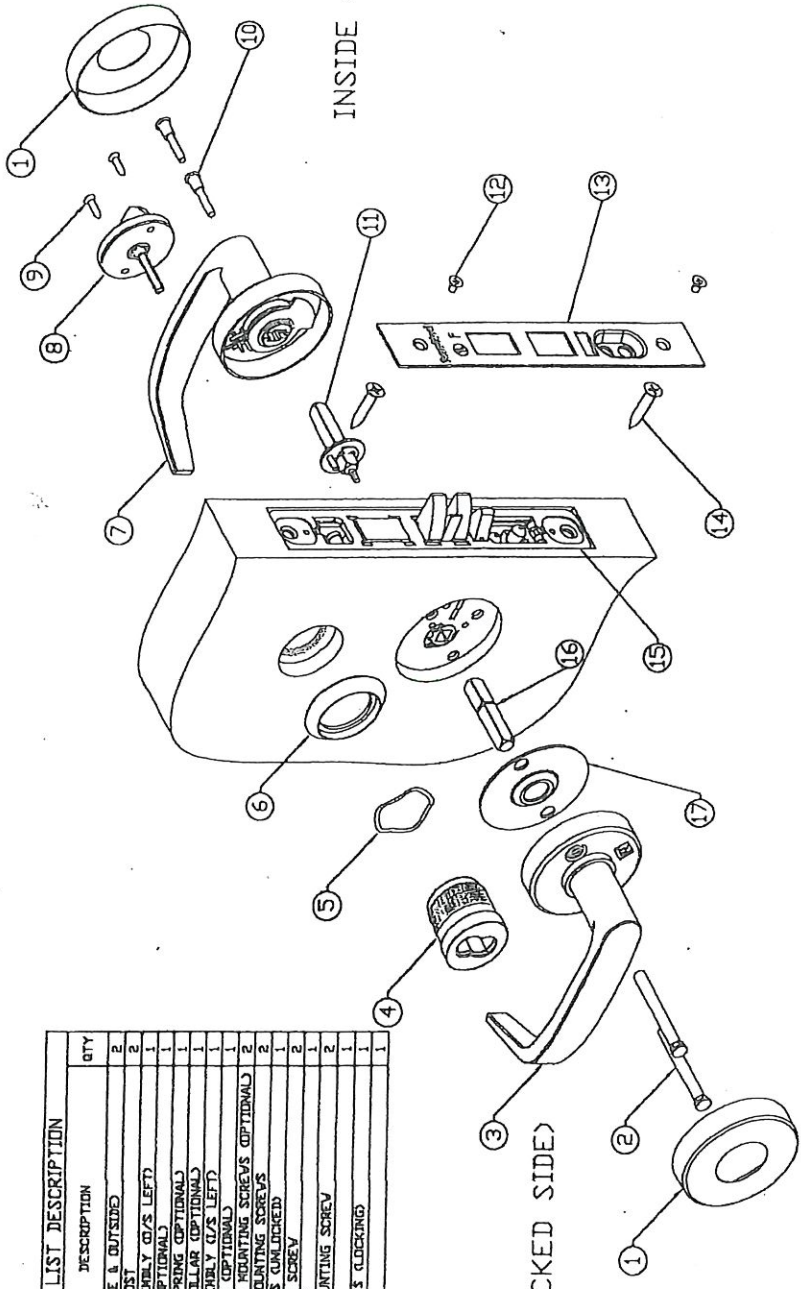


ITEM#	DESCRIPTION	QTY
1	ROSE (INSIDE & OUTSIDE)	2
2	MOUNTING POST	2
3	LEVER ASSEMBLY (D/S LEFT)	1
4	CYLINDER (OPTIONAL)	1
5	CYLINDER SPRING (OPTIONAL)	1
6	CYLINDER COLLAR (OPTIONAL)	1
7	LEVER ASSEMBLY (I/S LEFT)	1
8	THUMB TURN (OPTIONAL)	1
9	THUMB TURN MOUNTING SCREWS (OPTIONAL)	1
10	ASSEMBLY MOUNTING SCREWS	2
11	SPINDLE, 1/2" DIA. UNDRILL	2
12	FACE PLATE	2
13	FACE PLATE SCREW	1
14	MORTISE MOUNTING SCREW	2
15	SPINDLE, D/S (LOCKING)	1
16	PLATE	1



INSIDE (UNLOCKED SIDE)

OUTSIDE (LOCKED SIDE)

MBS CORP. CLUTCHING MORTISE WITH SECTIONAL TRIM- ASSEMBLY INSTRUCTIONS

- NOTE: LEFT HAND mounting is shown
- Prepare door as supplied template
  - Insert mortise (item 10) into mortise cutout and fasten to door with screws (item 14)
  - Insert inside and outside spindles (items 11 & 16) into the lock case hub and tighten screw
  - Insert 2 mounting posts (item 2) into the outside lever assembly (item 3)
  - Press rose (item 1) onto the outside lever assembly (item 3)
  - Position outside (D/S) lever assembly (item 3) onto the mortise—line up spindle and mounting posts with mortise posts
  - Using the 2 mounting screws (item 10) fasten the mortise—line up spindle and mounting posts with mortise posts
  - Press rose (item 1) onto the inside lever assembly (item 7)
  - Optional—Screw in cylinder (item 4) using spindles and collar (items 5 & 6)
  - Fasten face plate (item 13) on using screws (item 12)
  - Install thumb turn (item 8 & 9) if required
  - ALWAYS CHECK OPERATION OF LOCK SET PRIOR TO LOCKING/SHUTTING DOOR
  - TO CHANGE HANDING: REVERSE INSIDE & OUTSIDE LEVER ASSEMBLIES (items 3 & 7)

		<b>MARSHALL BEST SECURITY CORP.</b> 13097 Parkside Dr., Suite B Fishers, IN 46038 • 317-806-1180 <a href="http://www.marshallbestsecurity.com">www.marshallbestsecurity.com</a>	
DRAFT UNLESS OTHERWISE SPECIFIED 1" MAX DRAWN BY: SC DATE: 3-6-14	A UNLESS OTHERWISE SPECIFIED XX DECIMAL HOLE XX DECIMAL HOLE FRACTIONS - AS SHOWN ANGLES - AS SHOWN UNLESS OTHERWISE SPECIFIED MACHINED SURFACES RZ/	MATERIAL NOTED HEAT TREAT: N/A FINISH: N/A TITLE: CLUTCHING MORTISE ASSY INSTRUCTION PART# INSTRUCTION	THIRD ANGLE

THIS DRAWING AND THE INFORMATION CONTAINED THEREON OR DERIVED THEREFROM ARE THE CONFIDENTIAL PROPERTY OF MARSHALL BEST SECURITY CORP. IT IS NOT TO BE REPRODUCED, OR DISCLOSED TO OTHERS, AND MAY BE USED ONLY IN CONNECTION WITH THE PURPOSE OF FULFILLING AN ORDER FOR MARSHALL BEST SECURITY CORP., OR AS MAY BE OTHERWISE AUTHORIZED BY MARSHALL BEST SECURITY CORP. IN WRITING.