

R Series Mortise Lock Service Manual

COMPANY INTRODUCTION

Marshall Best Security is pleased to present the R Series of Commercial and Designer Locks.

The R Series incorporates the latest in designer levers and trims with the industry's highest quality Mortise Locks. With over 60 lever designs and numerous rose configurations, the R Series line allows you to design the door lock appearance and stay consistent throughout your project.

Marshall Best Security takes pride in offering a full line of high quality commercial grade hardware that is second to none. With a talented and dedicated engineering team, **Marshall Best Security** is continually improving our product line to ensure that we are on the cutting edge of the Door and Hardware Industry.

Our trims are made of the finest quality Stainless Steel and Plated materials to ensure longevity.

Marshall Best Security has the goal of offering the most imaginative and exciting design concepts possible, limited only by the physical confines of the product and codes. We look forward to working with you to bring your project in ON TIME, ON BUDGET, and to your COMPLETE SATISFACTION.

Index

Mortise Lock Dimensions	pg 4
Mortise Body Specifications / Door Handing	pg 5
Functions	pg 6-10
Escutcheon & Rose Dimensions	pg 11
Trims Exploded Views	pg 12-24
Mortise Body Exploded Views	pg 25-52
Mortise Body Handing Change Instructions	pg 53
Lever/Knob Options	pg 54-63
Thumb Turn Options	pg 64
Faceplates	pg 65
Cylinders & Strikes	pg 66



MORTISE LOCK INTRODUCTION

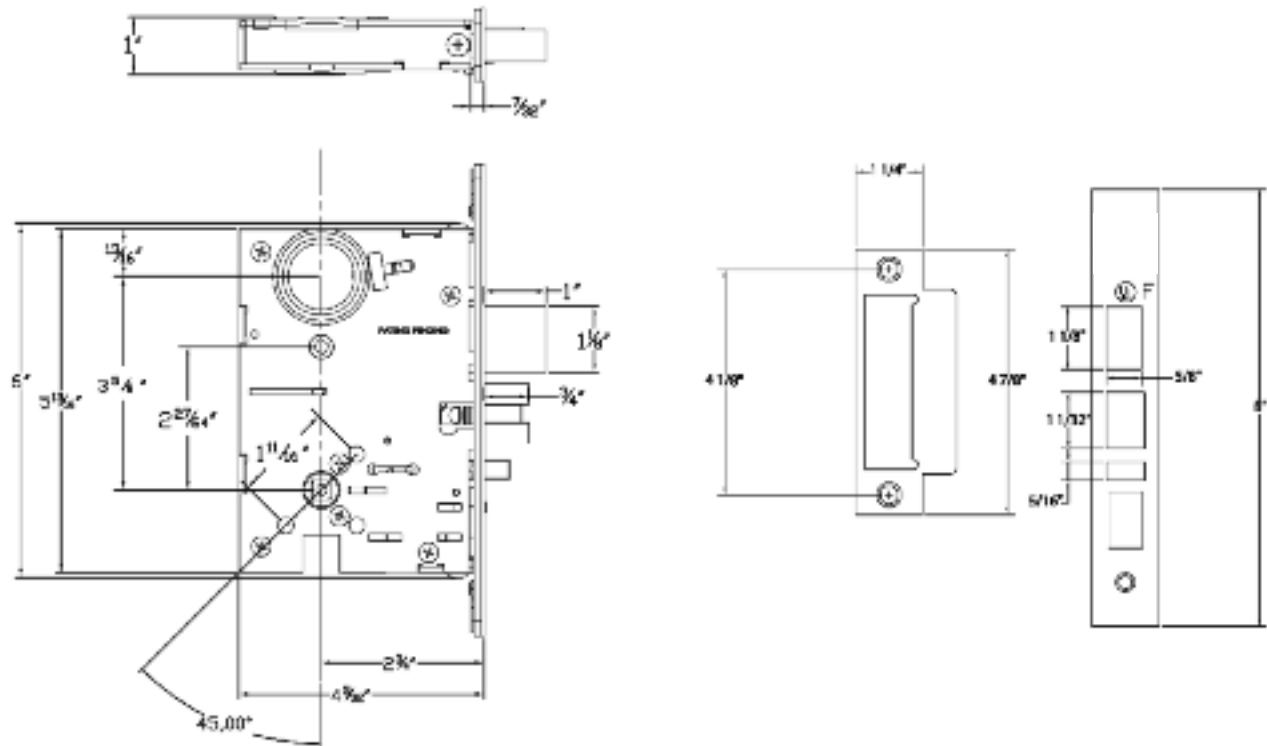
This service manual provides a complete listing of parts and assemblies for **Marshall Best Security** R series mortise locks. This edition contains the current designs of R series locks.

Exploded views of each lock function are provided with individual part numbers for replacement purposes. Exploded views of trim are shown with subassemblies for easy ordering and replacement. In addition, this manual includes various Levers, Escutcheons and Roses as well as other auxiliary components; such as faceplates and cylinders.

All parts listed in this manual are for standard 1 3/4" door thickness. Components may vary according to door thickness. Please mention door thickness when placing your order.

Mortise Lock Dimensions

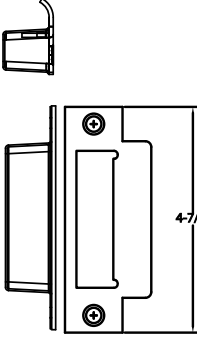
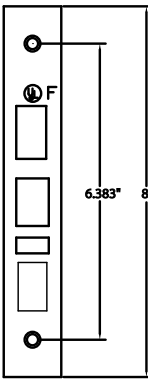
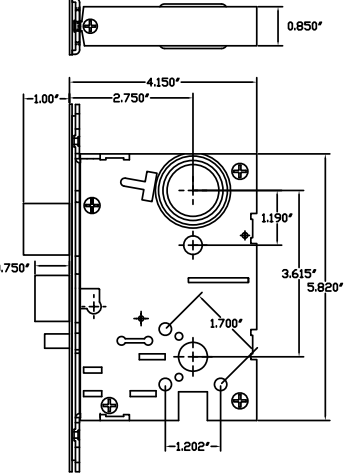
NON-HANDED LOCK



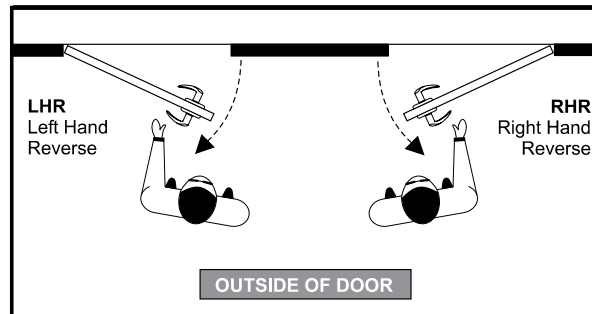
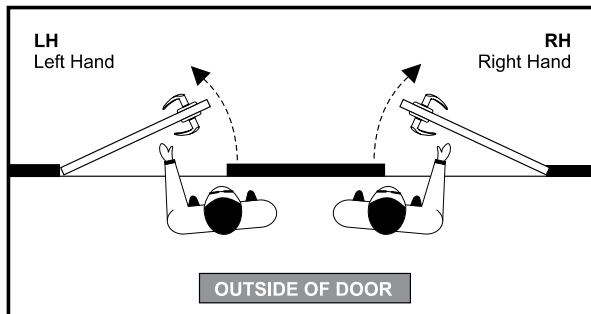
Feature	Dimensions
Case size	5 7/8" x 4 1/4" x 1"
Backset:	2 3/4"
Door thickness range:	1 3/4" standard-up to 5"

Standard Features & Specifications

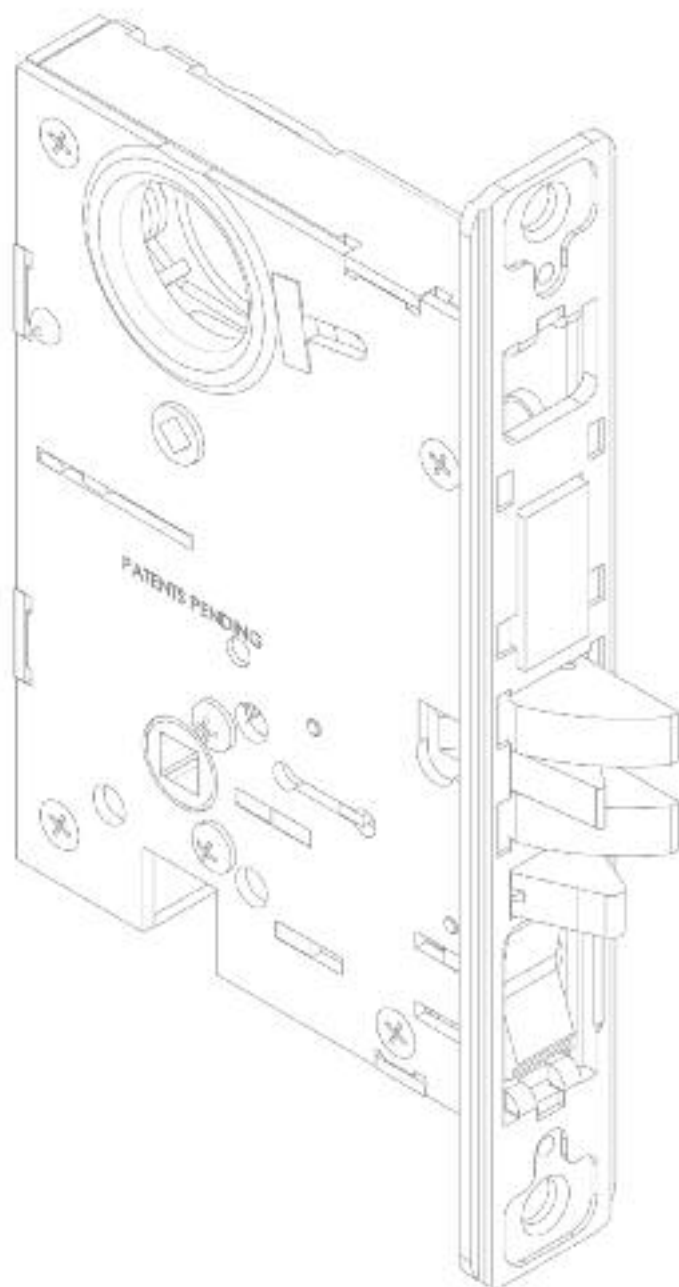
Door thickness.....	1 3/4" standard, other thicknesses available when specified
Backset	2 3/4"
Lock case	Heavy gauge plated steel
Armored Front	Wrought stainless steel or brass- adjustable angle and attached by screws to the lock case front
Dead bolt	1" throw, stainless steel with hardened anti-saw pins
Latch bolt	Stainless steel latch
Guard bolt	Stainless steel
Stop works	Toggle- chrome plated brass
Strike	Stainless steel or brass, 4 7/8" X 1 1/4" curved lip ANSI strike
Handing.....	Non-Handed, reversible in field
Trim	As specified
Cylinder	As specified
Keyway	As specified
Finishes	As specified
UL Listings	UL listed, 3 hour fire doors, single and pairs
ANSI Specification.....	Meets all Grade 1 security, operational, dimensional and cycling requirements of ANSI/BHMA A156.13 Series 1000, Lock body conforms to Federal Standard FF-H-106 Type 86/87

HANDING

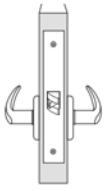
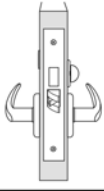
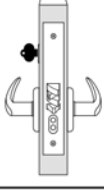
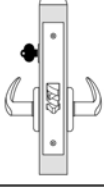
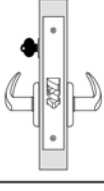
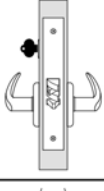

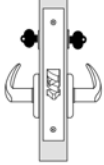


FUNCTIONS

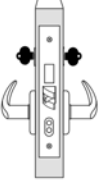
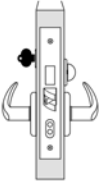
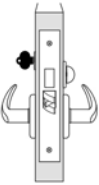
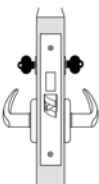
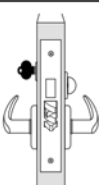
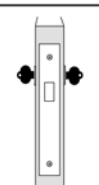




R Series Mortise Lock

Functions

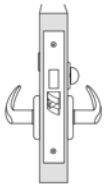
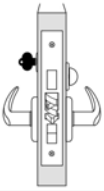
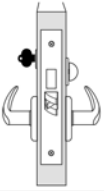
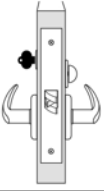
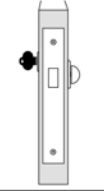
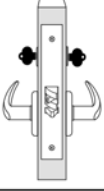
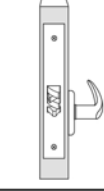
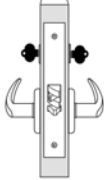
Outside	Inside	Series/ Function	Type	ANSI No.	Function Description
		RS-01 RE-01	Passage or Closet	F01	Latch bolt operated by lever from either side at all times.
		RS-02 RE-02	Privacy or Bathroom	F02	Latch bolt operated by lever from either side. Dead bolt operated by turn from inside and emergency release from outside.
		RS-04 RE-04	Entry/ Office	F04	Latch bolt operated by lever from either side, except when outside lever is made inoperative by a push button rocker. When outside lever is locked, latch bolt is retracted by key from outside or by operating inside lever. ***Auxiliary dead latch.
		RS-05 RE-05	Classroom	F05	Latch bolt operated by lever from either side, except when outside lever is locked from outside by key. When outside lever is locked, latch bolt may be retracted by key, or by operating key and outside lever or by operating inside lever. ***Auxiliary dead latch.
		RS-06 RE-06	Holdback	F06	Latch bolt operated by lever either side, except when outside lever is locked from outside by key. Latch bolt can be locked in a retracted position by key. When outside lever is locked, latch bolt is retracted by key from outside or by operating inside lever unless latch bolt has been locked in a retracted position. ***Auxiliary dead bolt latch.
		RS-07 RE-07	Storeroom or Closet	F07	Latch bolt operated by key from outside or by rotating inside lever. Outside lever is always inoperative. ***Auxiliary dead latch.
		RS-08 RE-08	Front Door or Corridor Lock	F08	Latch bolt operated by lever from either side, except when outside lever is made inoperative by a push button rocker. Dead bolt is operated by turn inside. Key outside operates both bolts.
		RS-09 RE-09	Apartment / Exit or Public Toilet	F09	Latch bolt operated by lever from either side, except when outside lever is locked by key from inside. When outside lever is locked, latch bolt is retracted by key from outside or by operating inside lever. ***Auxiliary dead bolt latch.

R Series Mortise Lock

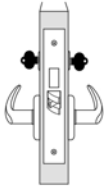
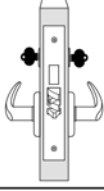

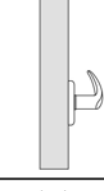
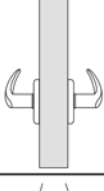
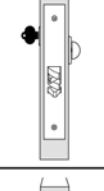
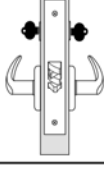
Functions					
Outside	Inside	Series/ Function	Type	ANSI No.	Function Description
		RS-11 RE-11	Dormitory or Exit Lock	F11	Latch bolt operated by lever from either side except when outside lever is made inoperative by a stop or mechanical means other than key. Dead bolt projected by key from either side. Dead bolt retracted by key from outside. Both bolts retracted by inside lever and outside remain locked.
		RS-12 RE-12	Dormitory or Exit	F12	Latch bolt operated by lever from either side, except when outside lever is made inoperative by a stop or mechanical means other than key. Dead bolt projected by key from outside and by turn from inside. Deadbolt retracted by key from outside and by turn from inside. Operating inside lever retracts both bolts and outside remains locked.
		RS-13 RE-13	Dormitory or Exit	F13	Latch bolt operated by lever from either side. Dead bolt projected by key from outside and thumb turn from inside. Operating inside lever retracts both bolts and unlocks outside.
		RS-14 RE-14	Store Door	F14	Latch bolt operated by lever from either side. Dead bolt operated by key from either side.
		RS-15 RE-15	Hotel or Guest	F15	Latch bolt operated by key from outside or by rotating inside lever. Outside lever is always inoperative. Dead bolt operated by thumb turn from inside and all keys except emergency and display key are shut out. Operating inside lever retracts both bolts. ***Auxiliary dead bolt latch.
		RS-16 RE-16	Deadlock	F16	Dead bolt operated by key on either side.
		RS-17 RE-17	Deadlock	F17	Dead bolt operated by key outside and turn piece inside.
		RS-18 RE-18	Deadlock	F18	Dead bolt by key from outside only.

R Series Mortise Lock

Functions

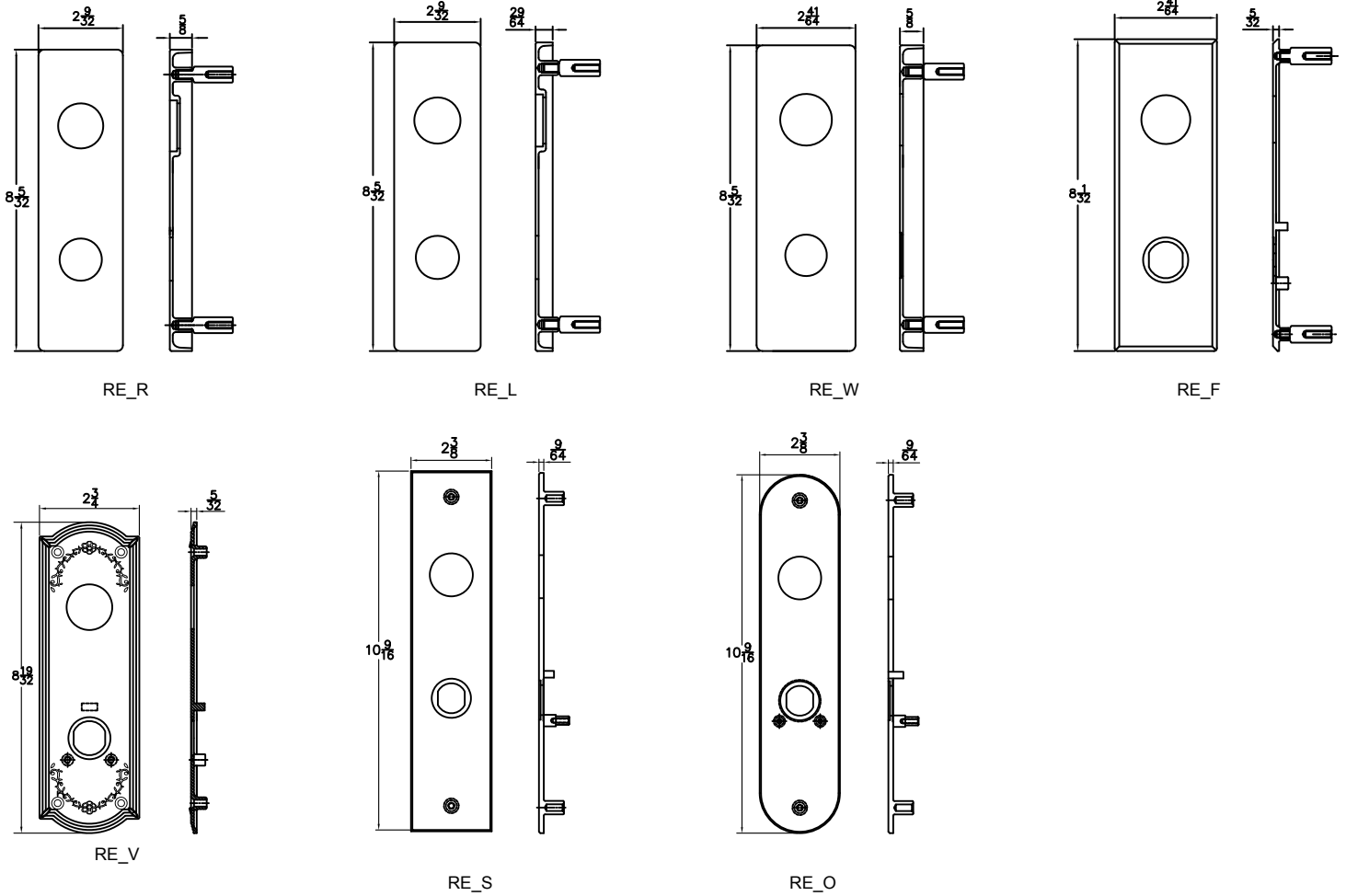
Outside	Inside	Series/ Function	Type	ANSI No.	Function Description
		RS-19 RE-19	Privacy or Bathroom	F19	Latch bolt operated by lever from either side. Dead bolt operated by turn from inside and emergency release from outside. Operating inside lever retracts both bolts.
		RS-20 RE-20	Entrance/ Apartment/ Dormitory	F20	Latch bolt operated by lever from either side, except when outside lever is made inoperative by push button rocker. Dead bolt projected by key from outside and by thumb turn from inside. Key outside operates both bolts. Operating inside lever retracts both bolts and outside remains locked. Latch bolt is deadlocked when outside lever is made inoperative or when the dead bolt is projected. When dead bolt is retracted, lever is unlocked by stop or mechanical means other than key.
		RS-21 RE-21	Dormitory with Dead bolt	F21	Latch bolt operated by lever either side. Dead bolt operated by key outside or by turn from inside.
		RS-22 RE-22	Privacy	F22	Latch bolt operated by lever from either side, except when outside lever is locked by inside turn. Operating inside lever, closing door or operating outside emergency release unlocks outside lever.
		RS-29 RE-29	Classroom Dead bolt	F29	Key from outside operates dead bolt. Turn from inside retracts but does not project dead bolt.
		RS-30 RE-30	Institutional	F30	Latch bolt operated by key either side. Both levers always inoperative. ***Auxiliary dead bolt latch.
		RS-31 RE-31	Exit or Communicating	F31	Latch bolt operated by lever from inside. Non removable blank lever or no lever outside. ***Auxiliary dead bolt latch.
		RS-32 RE-32	Intruder Latch bolt	F32	Latch bolt operated by lever either side, except when outside lever is locked from inside or outside by key. When outside lever is locked, latch bolt is retracted by key from inside or outside or by operating inside lever. ***Auxiliary dead bolt latch

R Series Mortise Lock

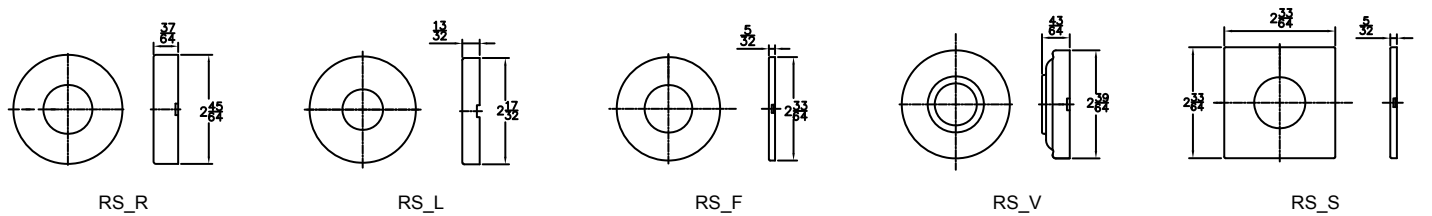
Functions					
Outside	Inside	Series/ Function	Type	ANSI No.	Function Description
		RS-33 RE-33	Intruder Dead bolt	F33	Latch bolt operated by lever either side, except when outside lever is locked from inside or outside by key. Dead bolt operated by key either side. Inside lever retracts both bolts and unlocks outside lever.
		RS-34 RE-34	Intruder Dead bolt	F34	Latch bolt operated by lever either side, except when outside lever is locked from inside or outside by key. Dead bolt operated by key either side. Operating inside lever retracts both bolts and unlocks outside. *** Auxiliary dead latch or latch bolt dead locked when dead bolt is thrown.
		RS-35 RE-35	Storeroom with Dead bolt	F35	Latch bolt operated by lever from either side, except when outside lever is made inoperative by a stop or mechanical means other than key. Dead bolt operated by key from either side.
		RS-41 RE-41	Single Dummy		No Lock works, Lever one side only.
		RS-42 RE-42	Double Dummy		No Lock works, Lever on both sides.
		RS-81 RE-81	Hotel Privacy		Latch bolt retracted by key from outside and thumb turn from inside. ***Auxiliary dead bolt latch.
		RS-82 RE-82	Storeroom with Double Cylinder		Latch bolt operated by key from either side. both levers always rigid. ***Auxiliary dead bolt latch.

Escutcheon & Rose Dimensions

Escutcheon Styles



Sectional Rose Styles



TRIMS EXPLODED VIEW

Moritse Trim List

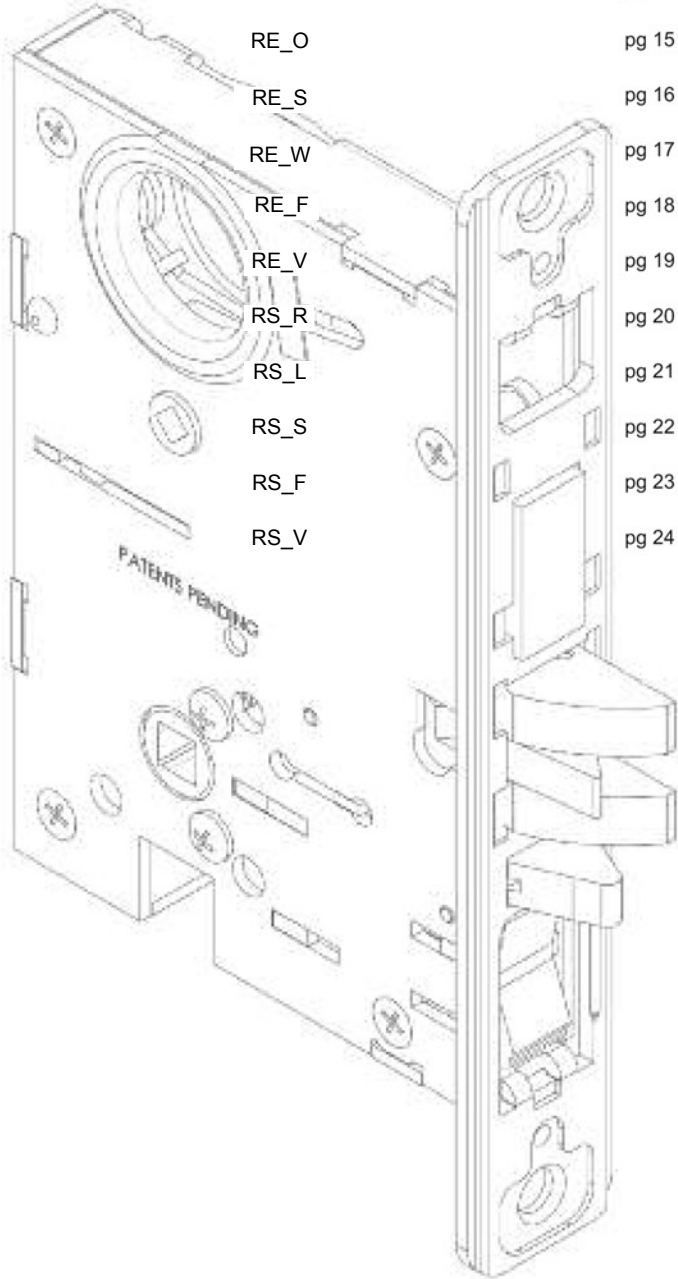
Part No.

Pages

- Escutcheon Regular
- Escutcheon Low
- Escutcheon Oval
- Escutcheon Square
- Escutcheon Wide
- Escutcheon Flat
- Escutcheon Vintage
- Sectional Regular
- Sectional Low
- Sectional Square
- Sectional Flat
- Sectional Vintage

- RE_R
- RE_L
- RE_O
- RE_S
- RE_W
- RE_F
- RE_V
- RS_R
- RS_L
- RS_S
- RS_F
- RS_V

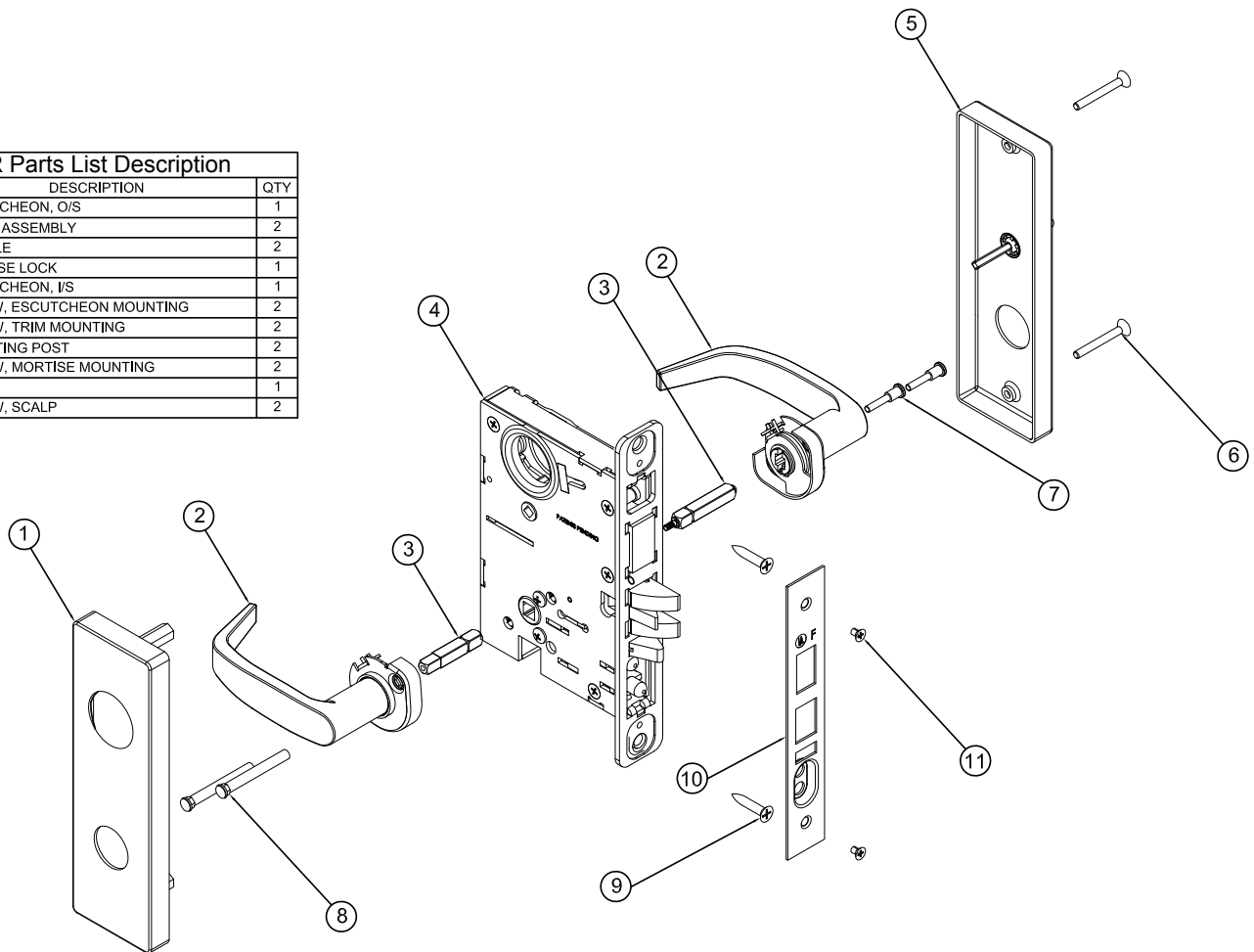
- pg 13
- pg 14
- pg 15
- pg 16
- pg 17
- pg 18
- pg 19
- pg 20
- pg 21
- pg 22
- pg 23
- pg 24



RE-R Trim

Escutcheon Regular Mortise Lock

RE-R Parts List Description		
ITEM	DESCRIPTION	QTY
1	ESCUTCHEON, O/S	1
2	LEVER ASSEMBLY	2
3	SPINDLE	2
4	MORTISE LOCK	1
5	ESCUTCHEON, I/S	1
6	SCREW, ESCUTCHEON MOUNTING	2
7	SCREW, TRIM MOUNTING	2
8	MOUNTING POST	2
9	SCREW, MORTISE MOUNTING	2
10	SCALP	1
11	SCREW, SCALP	2



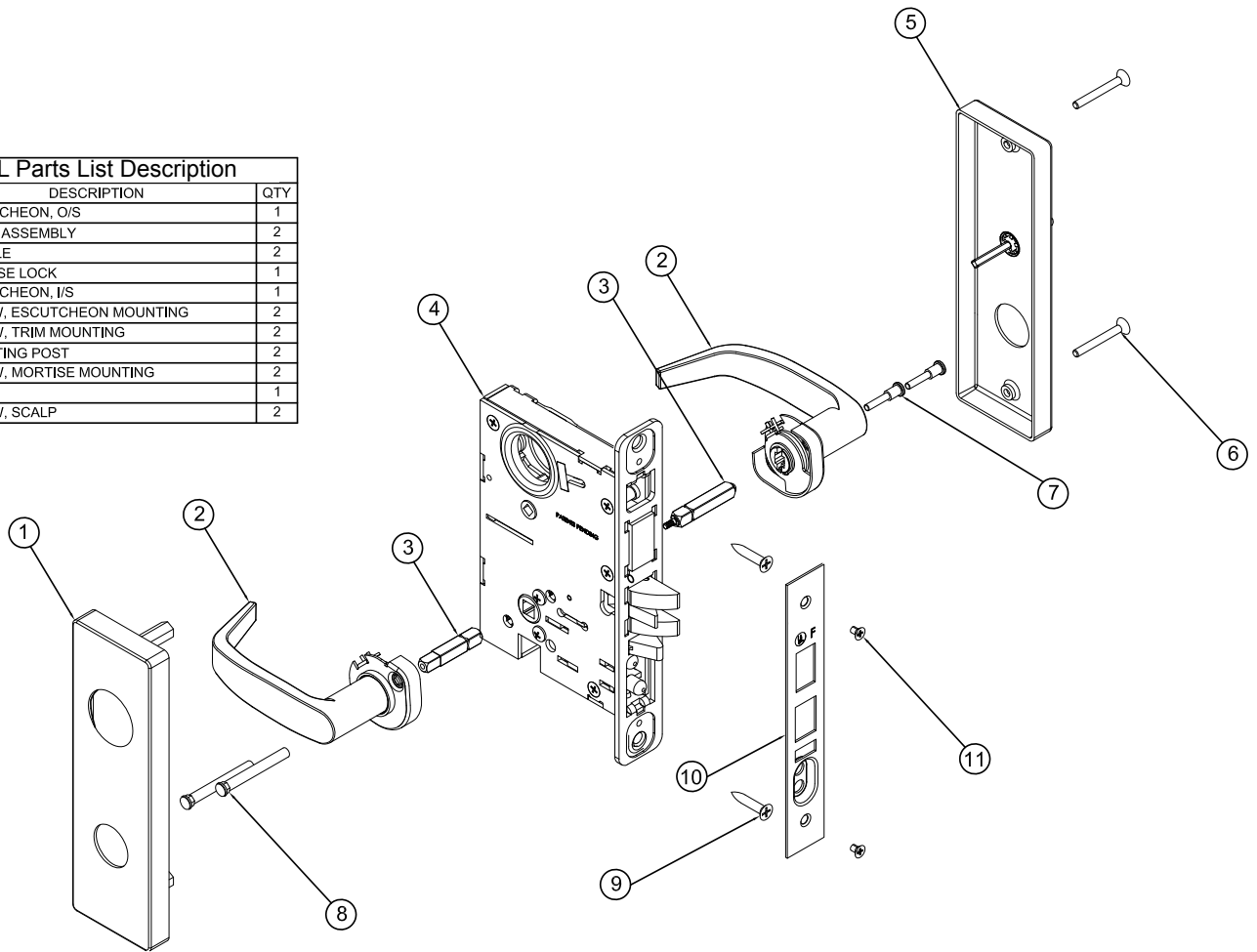
RE-R Trim Case

Regular Mortise Service Manual

RE-L Trim

Escutcheon Low Mortise Lock

RE-L Parts List Description		
ITEM	DESCRIPTION	QTY
1	ESCUTCHEON, O/S	1
2	LEVER ASSEMBLY	2
3	SPINDLE	2
4	MORTISE LOCK	1
5	ESCUTCHEON, I/S	1
6	SCREW, ESCUTCHEON MOUNTING	2
7	SCREW, TRIM MOUNTING	2
8	MOUNTING POST	2
9	SCREW, MORTISE MOUNTING	2
10	SCALP	1
11	SCREW, SCALP	2



RE-L Trim Case

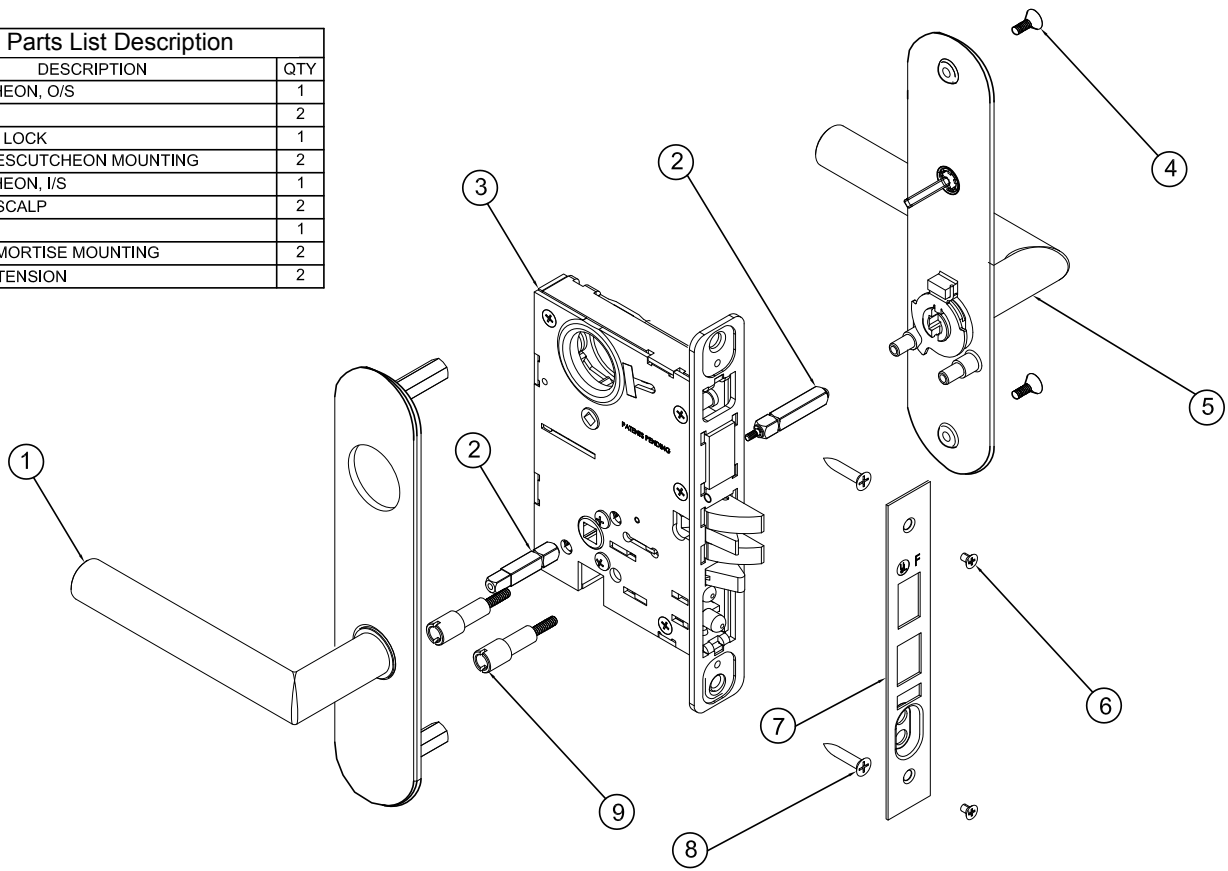
Regular Mortise Service Manual



RE-O Trim

Escutcheon Oval Mortise Lock

RE-O Parts List Description		
ITEM	DESCRIPTION	QTY
1	ESCUTCHEON, O/S	1
2	SPINDLE	2
3	MORTISE LOCK	1
4	SCREW, ESCUTCHEON MOUNTING	2
5	ESCUTCHEON, I/S	1
6	SCREW, SCALP	2
7	SCALP	1
8	SCREW, MORTISE MOUNTING	2
9	POST EXTENSION	2



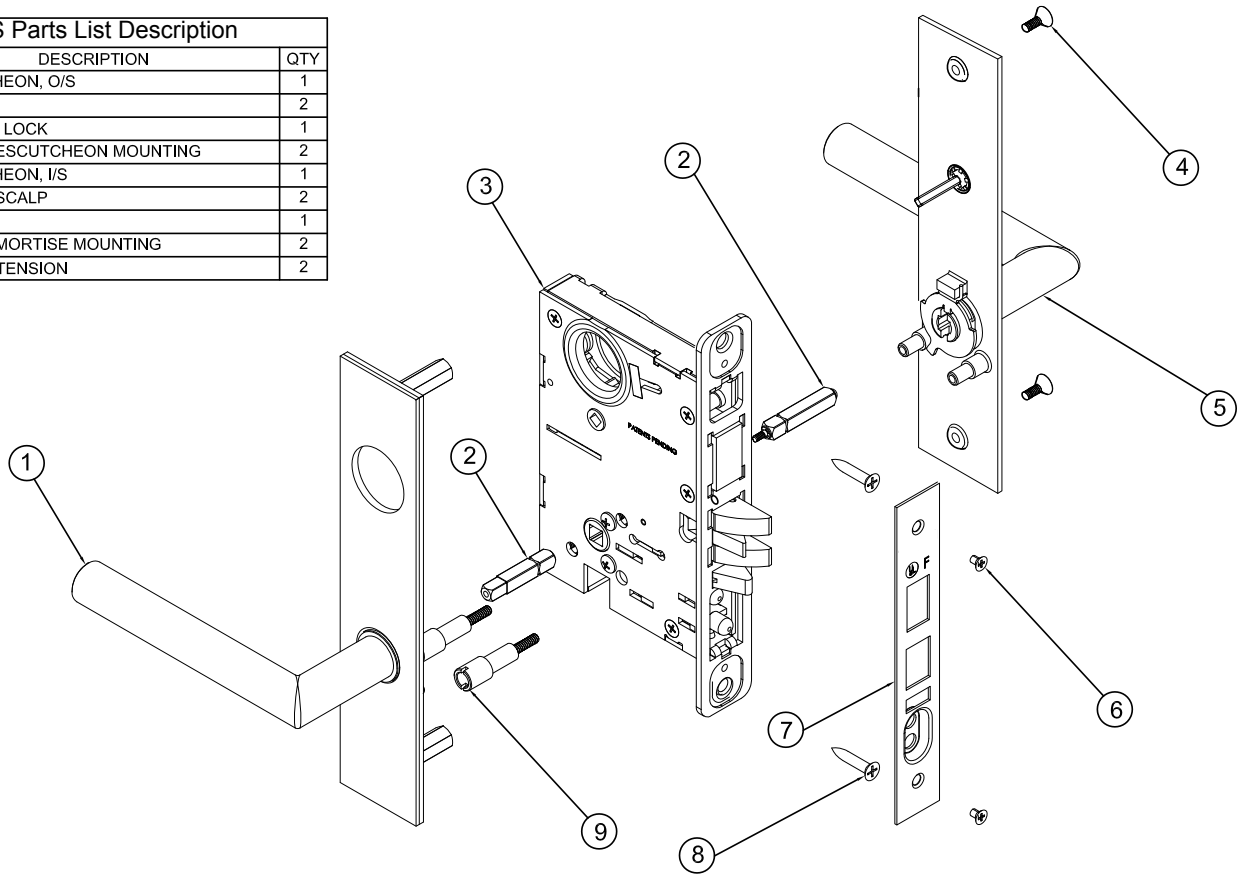
RE-O Trim Case

Regular Mortise Service Manual

RE-S Trim

Escutcheon Square Mortise Lock

RE-S Parts List Description		
ITEM	DESCRIPTION	QTY
1	ESCUTCHEON, O/S	1
2	SPINDLE	2
3	MORTISE LOCK	1
4	SCREW, ESCUTCHEON MOUNTING	2
5	ESCUTCHEON, I/S	1
6	SCREW, SCALP	2
7	SCALP	1
8	SCREW, MORTISE MOUNTING	2
9	POST EXTENSION	2



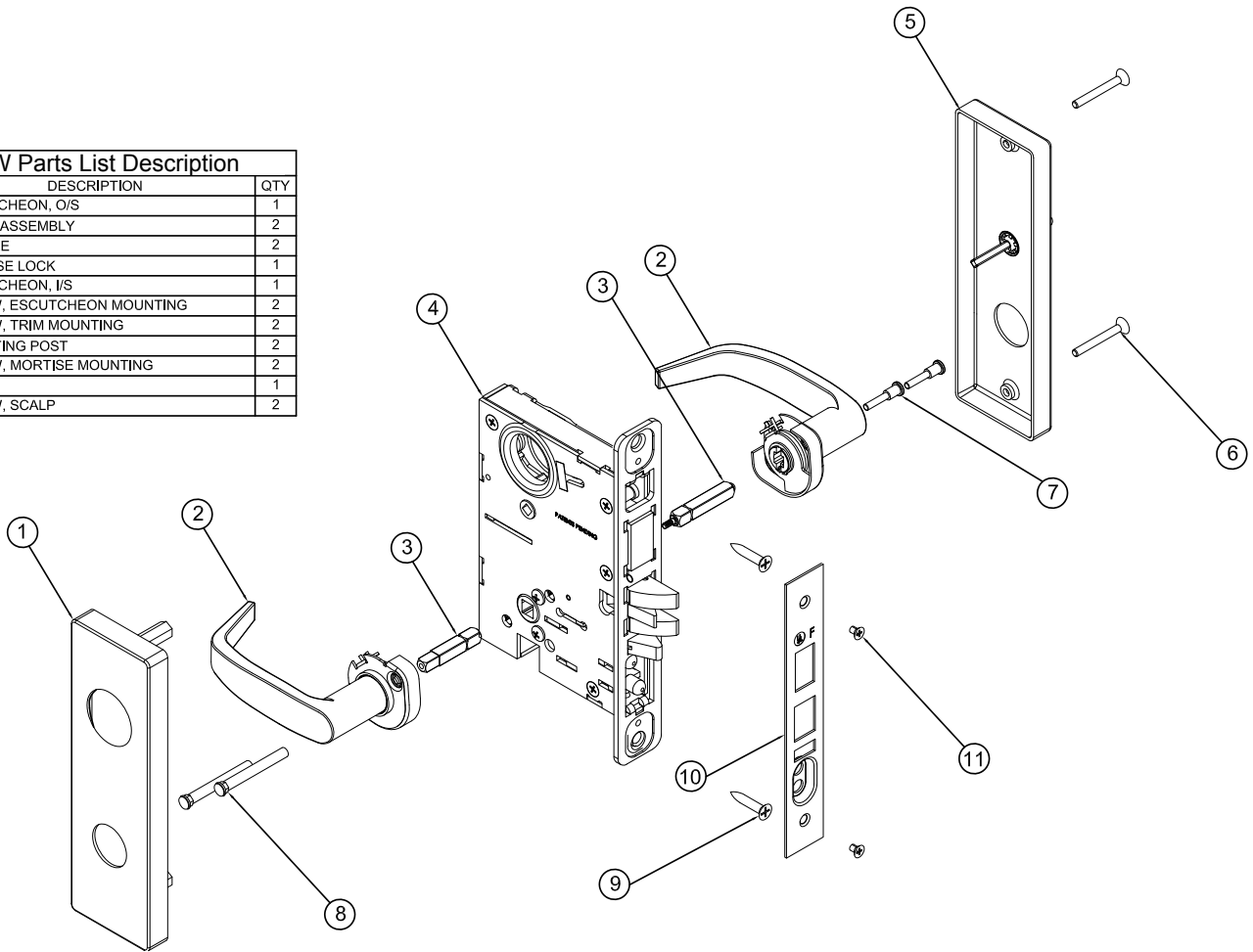
RE-S Trim Case

Regular Mortise Service Manual

RE-W Trim

Escutcheon Wide Mortise Lock

RE-W Parts List Description		
ITEM	DESCRIPTION	QTY
1	ESCUTCHEON, O/S	1
2	LEVER ASSEMBLY	2
3	SPINDLE	2
4	MORTISE LOCK	1
5	ESCUTCHEON, I/S	1
6	SCREW, ESCUTCHEON MOUNTING	2
7	SCREW, TRIM MOUNTING	2
8	MOUNTING POST	2
9	SCREW, MORTISE MOUNTING	2
10	SCALP	1
11	SCREW, SCALP	2



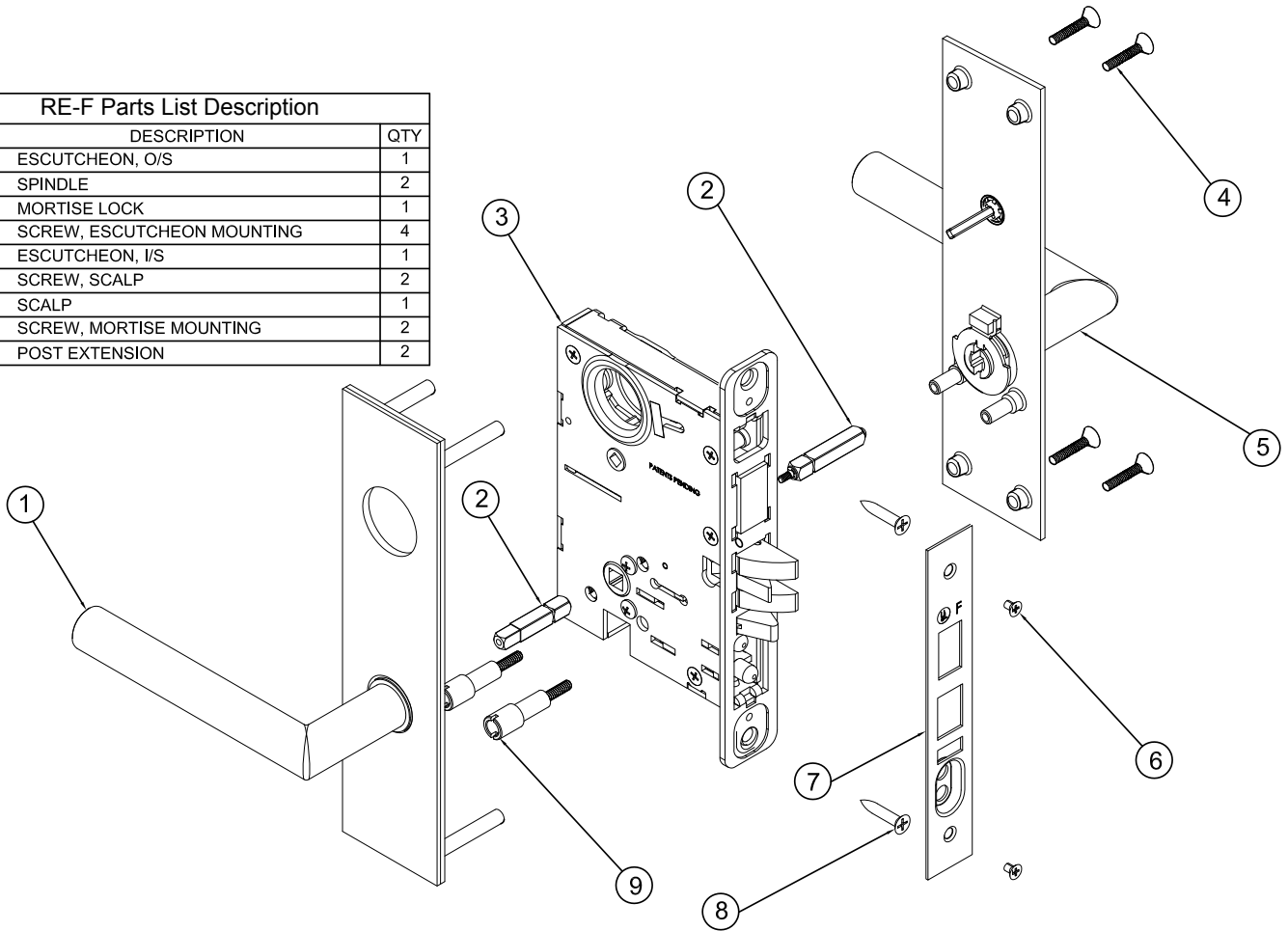
RE-W Trim Case

Regular Mortise Service Manual

RE-F Trim

Escutcheon Flat Mortise Lock

RE-F Parts List Description		
ITEM	DESCRIPTION	QTY
1	ESCUTCHEON, O/S	1
2	SPINDLE	2
3	MORTISE LOCK	1
4	SCREW, ESCUTCHEON MOUNTING	4
5	ESCUTCHEON, I/S	1
6	SCREW, SCALP	2
7	SCALP	1
8	SCREW, MORTISE MOUNTING	2
9	POST EXTENSION	2



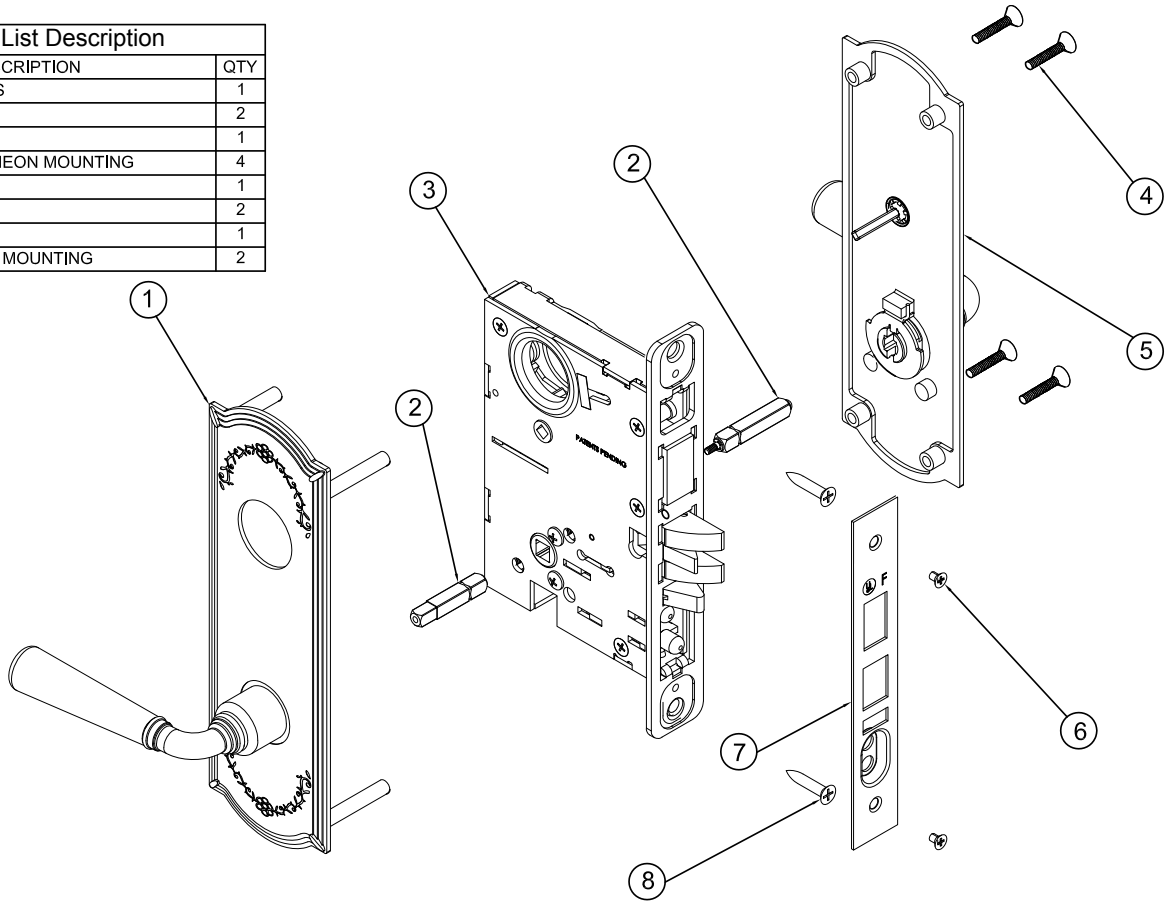
RE-F Trim Case

Regular Mortise Service Manual

RE-V Trim

Escutcheon Vintage Mortise Lock

RE-V Parts List Description		
ITEM	DESCRIPTION	QTY
1	ESCUTCHEON, O/S	1
2	SPINDLE	2
3	MORTISE LOCK	1
4	SCREW, ESCUTCHEON MOUNTING	4
5	ESCUTCHEON, I/S	1
6	SCREW, SCALP	2
7	SCALP	1
8	SCREW, MORTISE MOUNTING	2



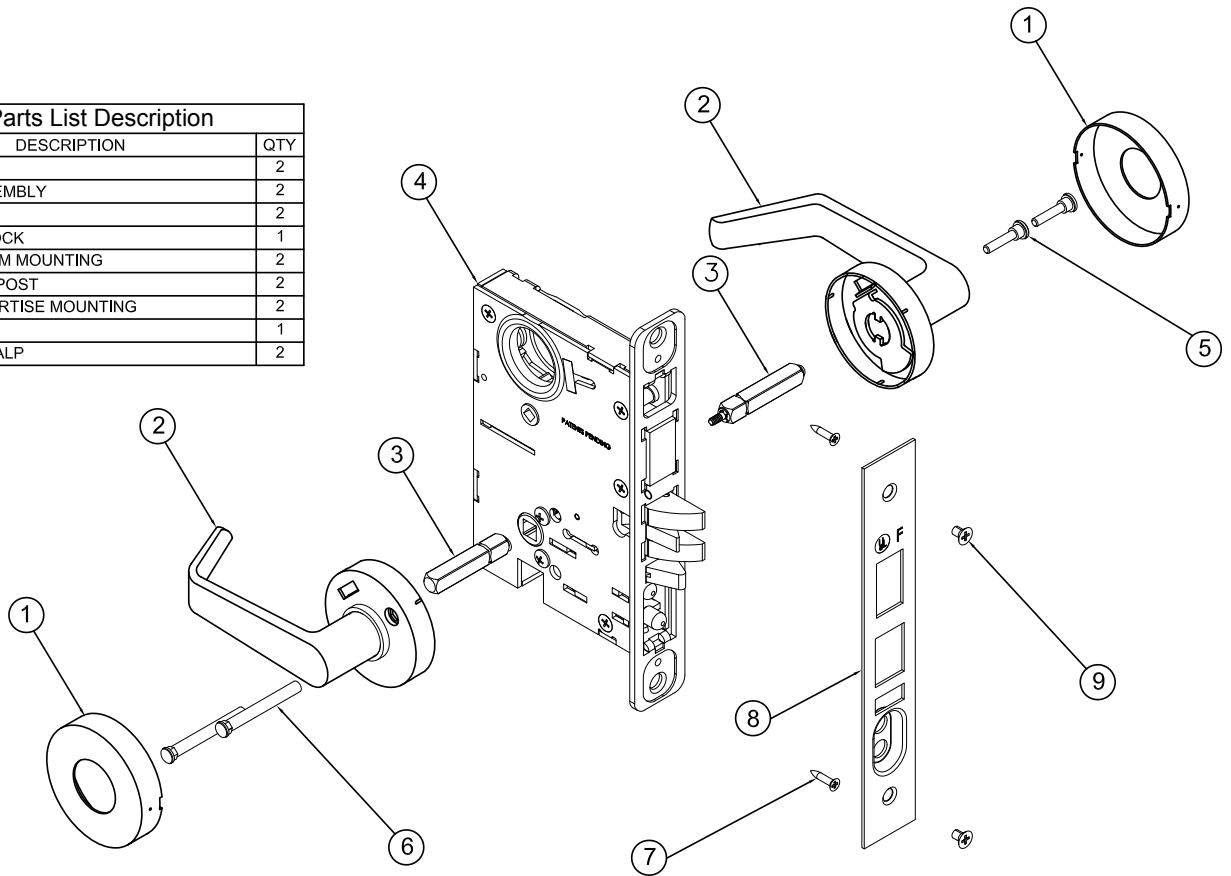
RE-V Trim Case

Regular Mortise Service Manual

RS-R Trim

Sectional Regular Mortise Lock

RS-R Parts List Description		
ITEM	DESCRIPTION	QTY
1	ROSE	2
2	LEVER ASSEMBLY	2
3	SPINDLE	2
4	MORTISE LOCK	1
5	SCREW, TRIM MOUNTING	2
6	MOUNTING POST	2
7	SCREW, MORTISE MOUNTING	2
8	SCALP	1
9	SCREW, SCALP	2



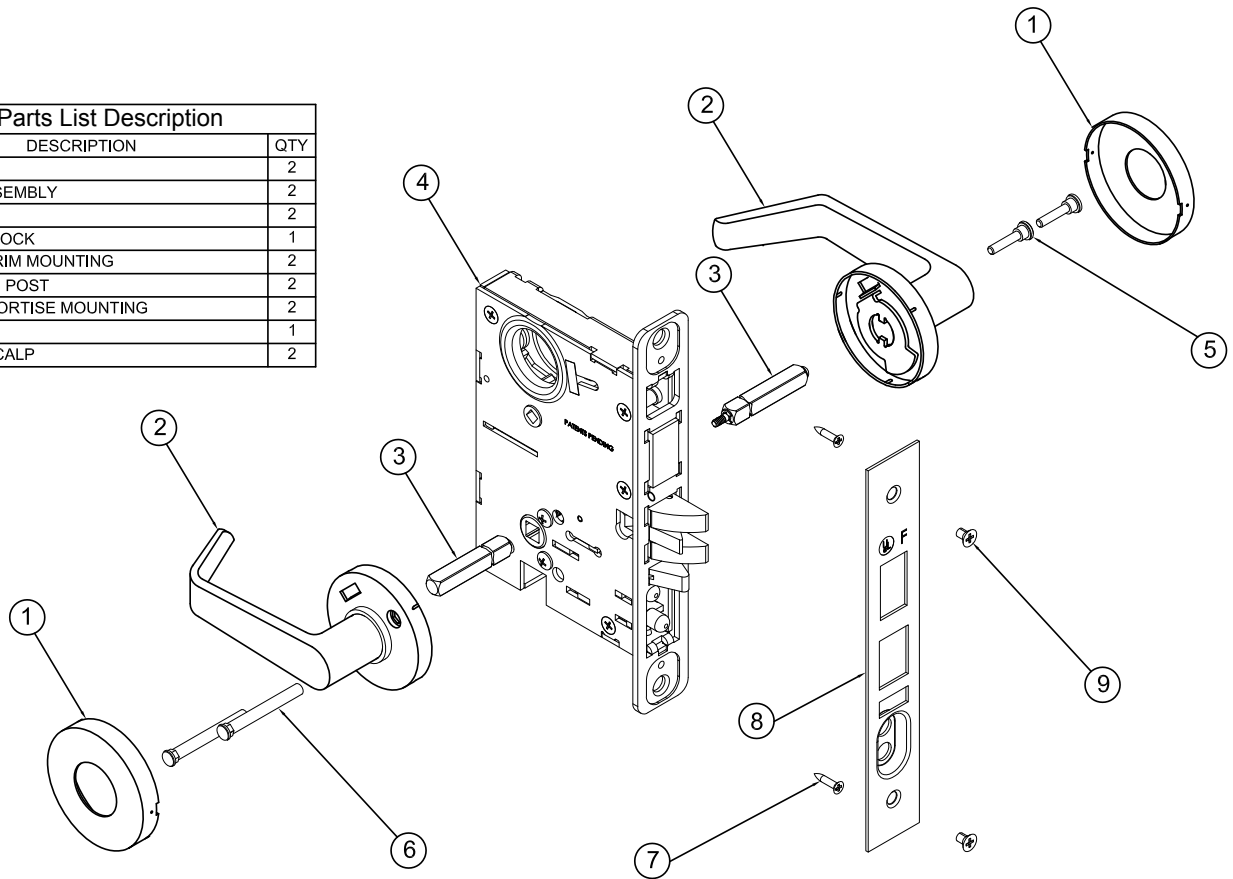
RS-R Trim Case

Regular Mortise Service Manual

RS-L Trim

Sectional Low Mortise Lock

RS-L Parts List Description		
ITEM	DESCRIPTION	QTY
1	ROSE	2
2	LEVER ASSEMBLY	2
3	SPINDLE	2
4	MORTISE LOCK	1
5	SCREW, TRIM MOUNTING	2
6	MOUNTING POST	2
7	SCREW, MORTISE MOUNTING	2
8	SCALP	1
9	SCREW, SCALP	2



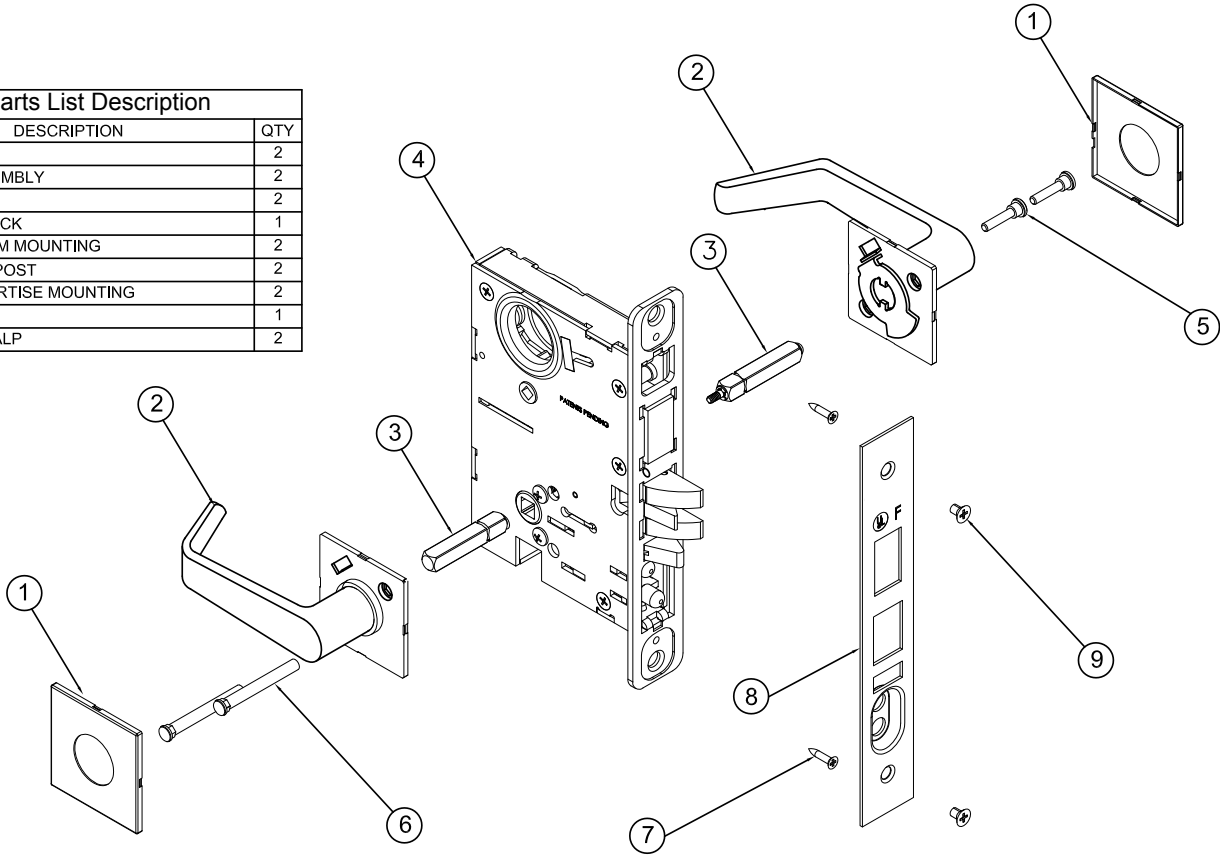
RS-L Trim Case

Regular Mortise Service Manual

RS-S Trim

Sectional Square Mortise Lock

RS-S Parts List Description		
ITEM	DESCRIPTION	QTY
1	ROSE	2
2	LEVER ASSEMBLY	2
3	SPINDLE	2
4	MORTISE LOCK	1
5	SCREW, TRIM MOUNTING	2
6	MOUNTING POST	2
7	SCREW, MORTISE MOUNTING	2
8	SCALP	1
9	SCREW, SCALP	2



RS-S Trim Case

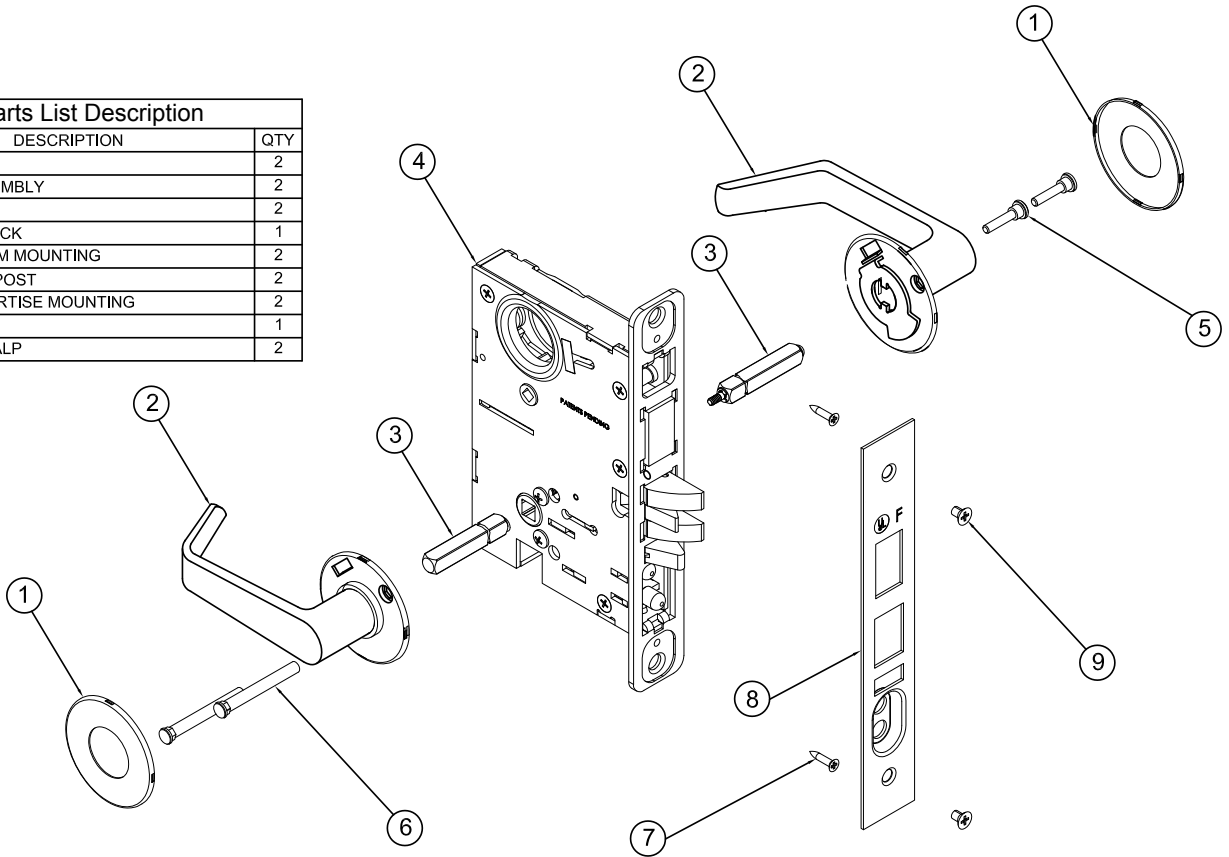
Regular Mortise Service Manual



RS-F Trim

Sectional Flat Mortise Lock

RS-F Parts List Description		
ITEM	DESCRIPTION	QTY
1	ROSE	2
2	LEVER ASSEMBLY	2
3	SPINDLE	2
4	MORTISE LOCK	1
5	SCREW, TRIM MOUNTING	2
6	MOUNTING POST	2
7	SCREW, MORTISE MOUNTING	2
8	SCALP	1
9	SCREW, SCALP	2



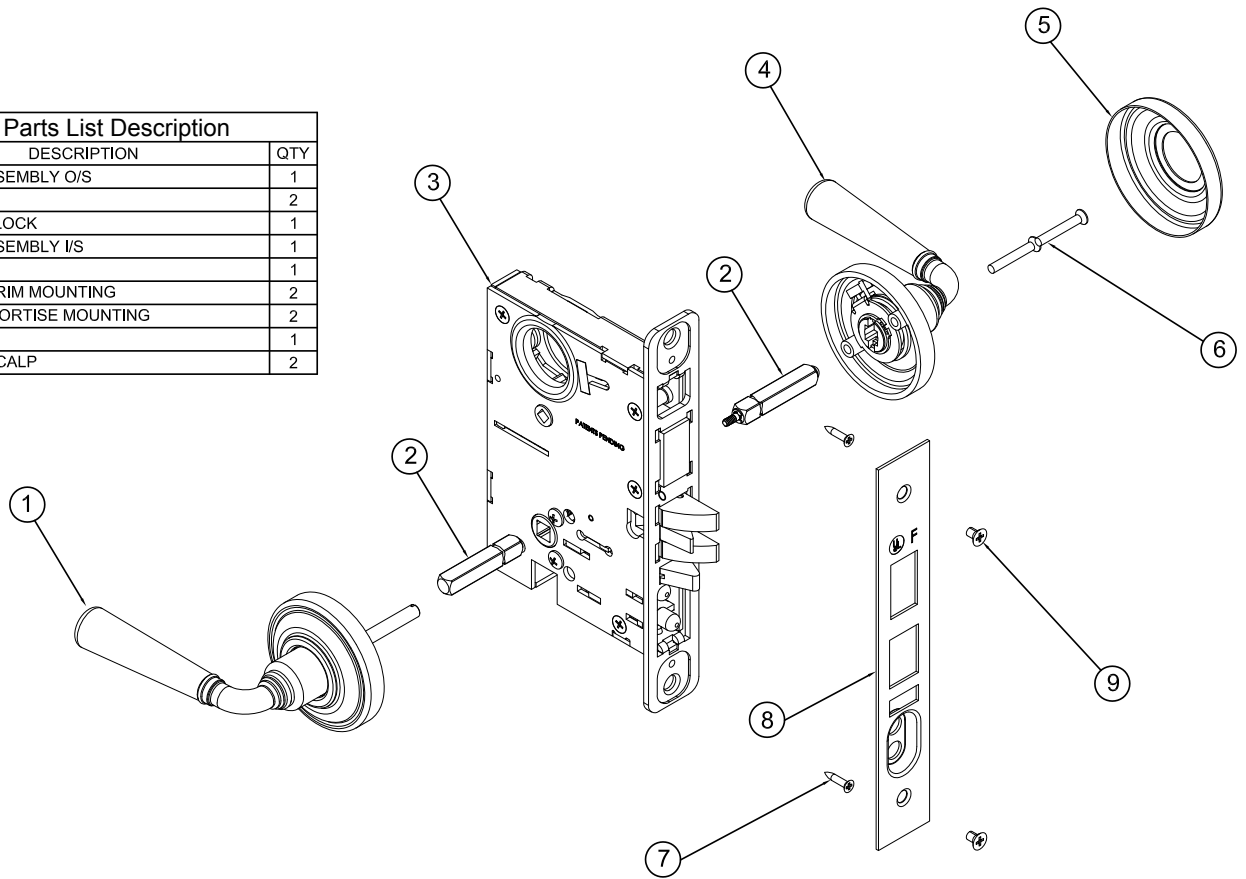
RS-F Trim Case

Regular Mortise Service Manual

RS-V Trim

Sectional Vintage Mortise Lock

RS-V Parts List Description		
ITEM	DESCRIPTION	QTY
1	LEVER ASSEMBLY O/S	1
2	SPINDLE	2
3	MORTISE LOCK	1
4	LEVER ASSEMBLY I/S	1
5	ROSE, I/S	1
6	SCREW, TRIM MOUNTING	2
7	SCREW, MORTISE MOUNTING	2
8	SCALP	1
9	SCREW, SCALP	2

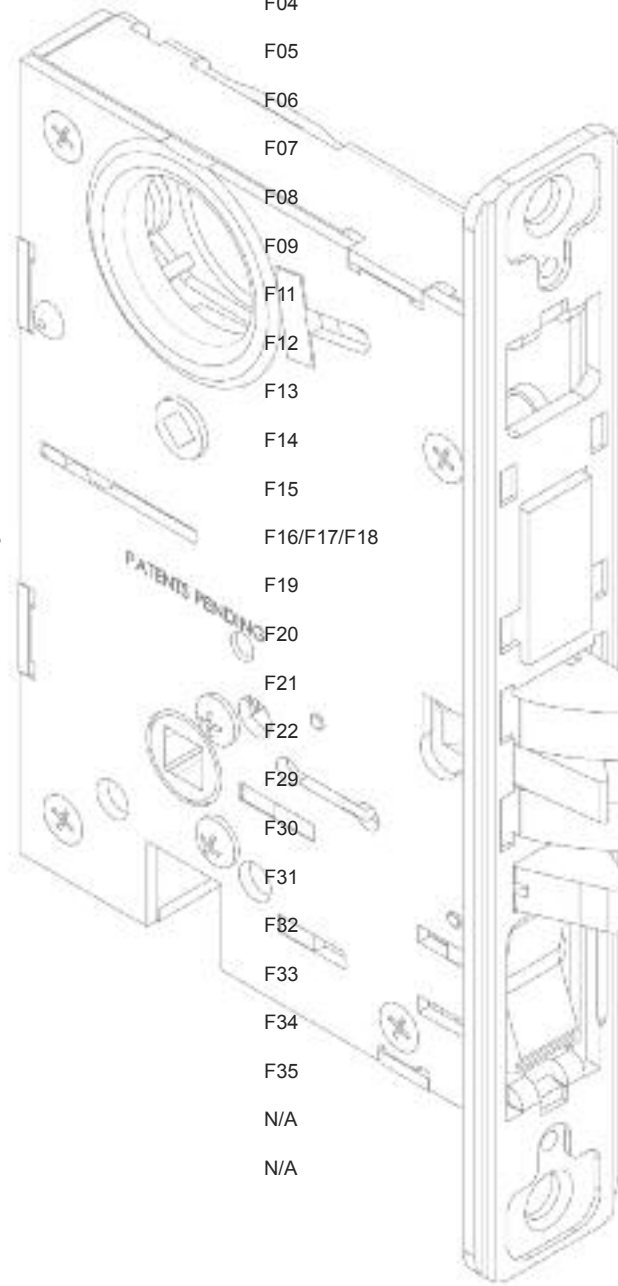


RS-V Trim Case

Regular Mortise Service Manual

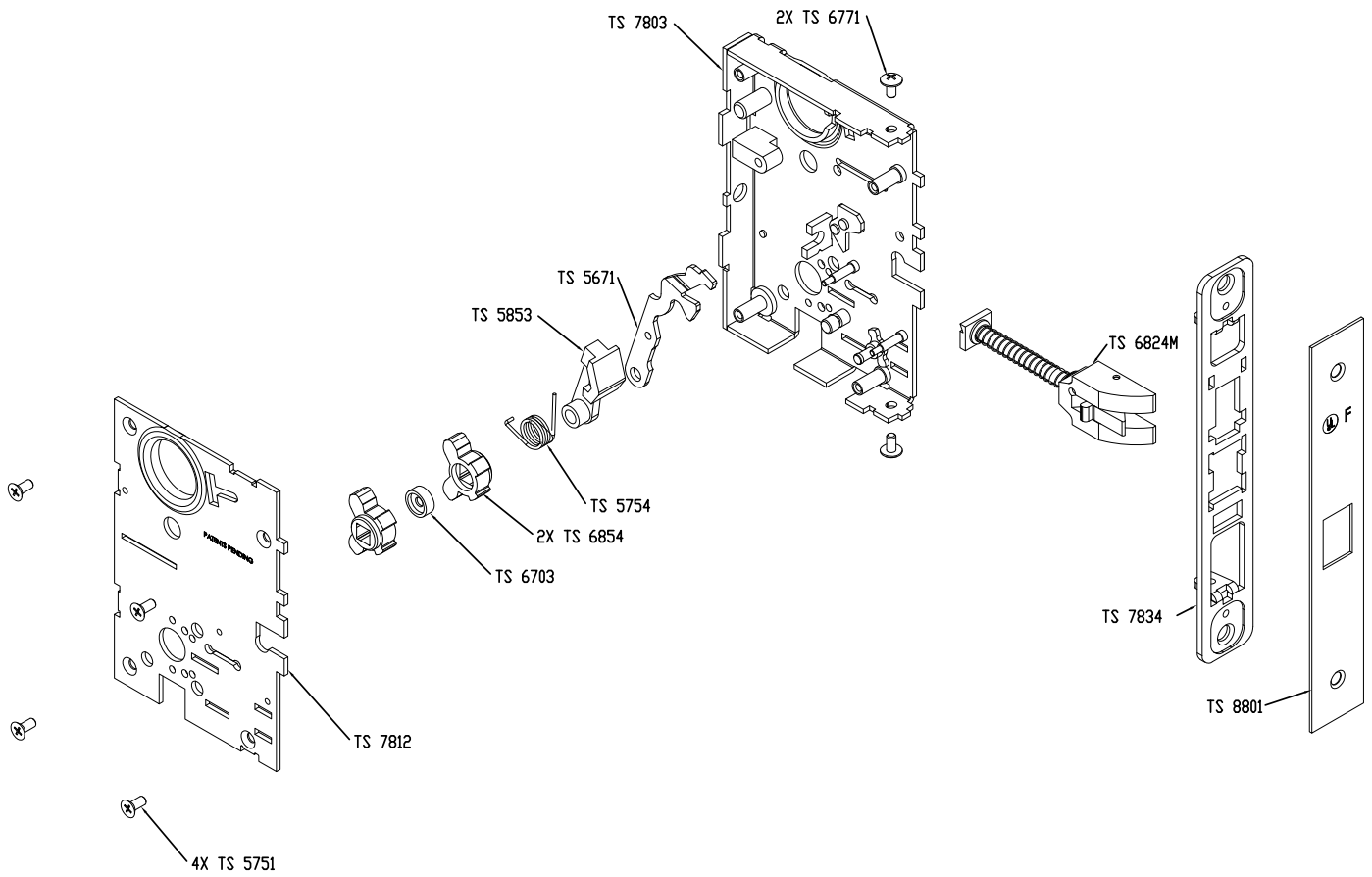
MORTISE BODY EXPLODED VIEWS

Mortise Chassis List	ANSI No.	Pages
RS-01 / RE-01	F01	pg 26
RS-02 / RE-02	F02	pg 27
RS-04 / RE-04	F04	pg 28
RS-05 / RE-05	F05	pg 29
RS-06 / RE-06	F06	pg 30
RS-07 / RE-07	F07	pg 31
RS-08 / RE-08	F08	pg 32
RS-09 / RE-09	F09	pg 33
RS-11 / RE-11	F11	pg 34
RS-12 / RE-12	F12	pg 35
RS-13 / RE-13	F13	pg 36
RS-14 / RE-14	F14	pg 37
RS-015 / RE-15	F15	pg 38
RS-16/17/18 / RE-16/17/18	F16/F17/F18	pg 39
RS-19 / RE-19	F19	pg 40
RS-20 / RE-20	F20	pg 41
RS-21 / RE-12	F21	pg 42
RS-22 / RE-22	F22	pg 43
RS-29 / RE-29	F29	pg 44
RS-30 / RE-30	F30	pg 45
RS-31 / RE-31	F31	pg 46
RS-32 / RE-32	F32	pg 47
RS-33 / RE-33	F33	pg 48
RS-34 / RE-34	F34	pg 49
RS-35 / RE-35	F35	pg 50
RS-81 / RE-81	N/A	pg 51
RS-82 / RE-82	N/A	pg 52



Passage or Closet Mortise F-01, RS-01, RE-01

NON-HANDED LOCK LH VERSION SHOWN

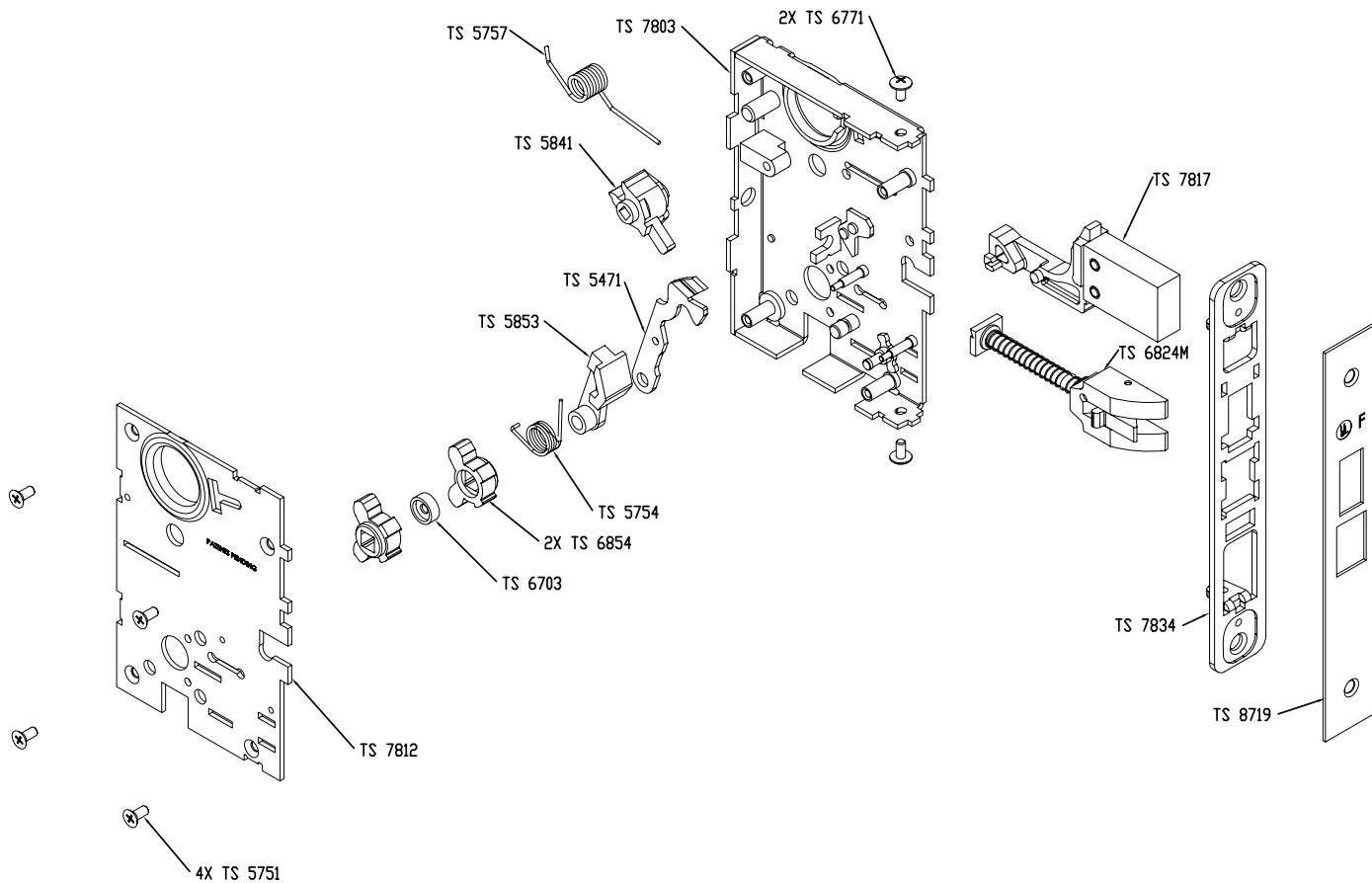


F01 Function Case

Regular Mortise Service Manual

Privacy or Bathroom Mortise F-02, RS-02, RE-02

NON-HANDED LOCK LH VERSION SHOWN

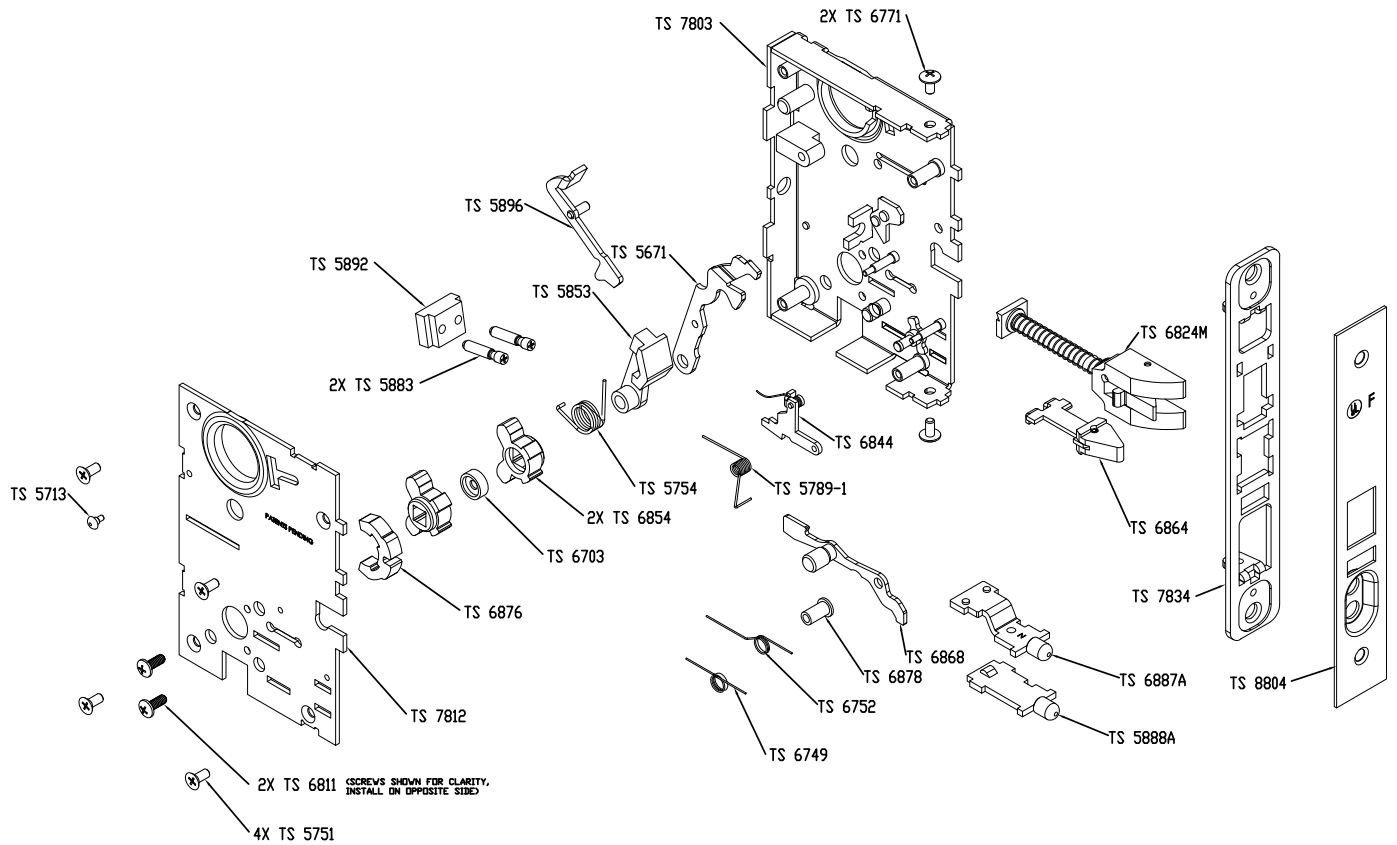


F02 Function Case

Regular Mortise Service Manual

Entry/Office Mortise F-04, RS-04, RE-04

NON-HANDED LOCK LH VERSION SHOWN

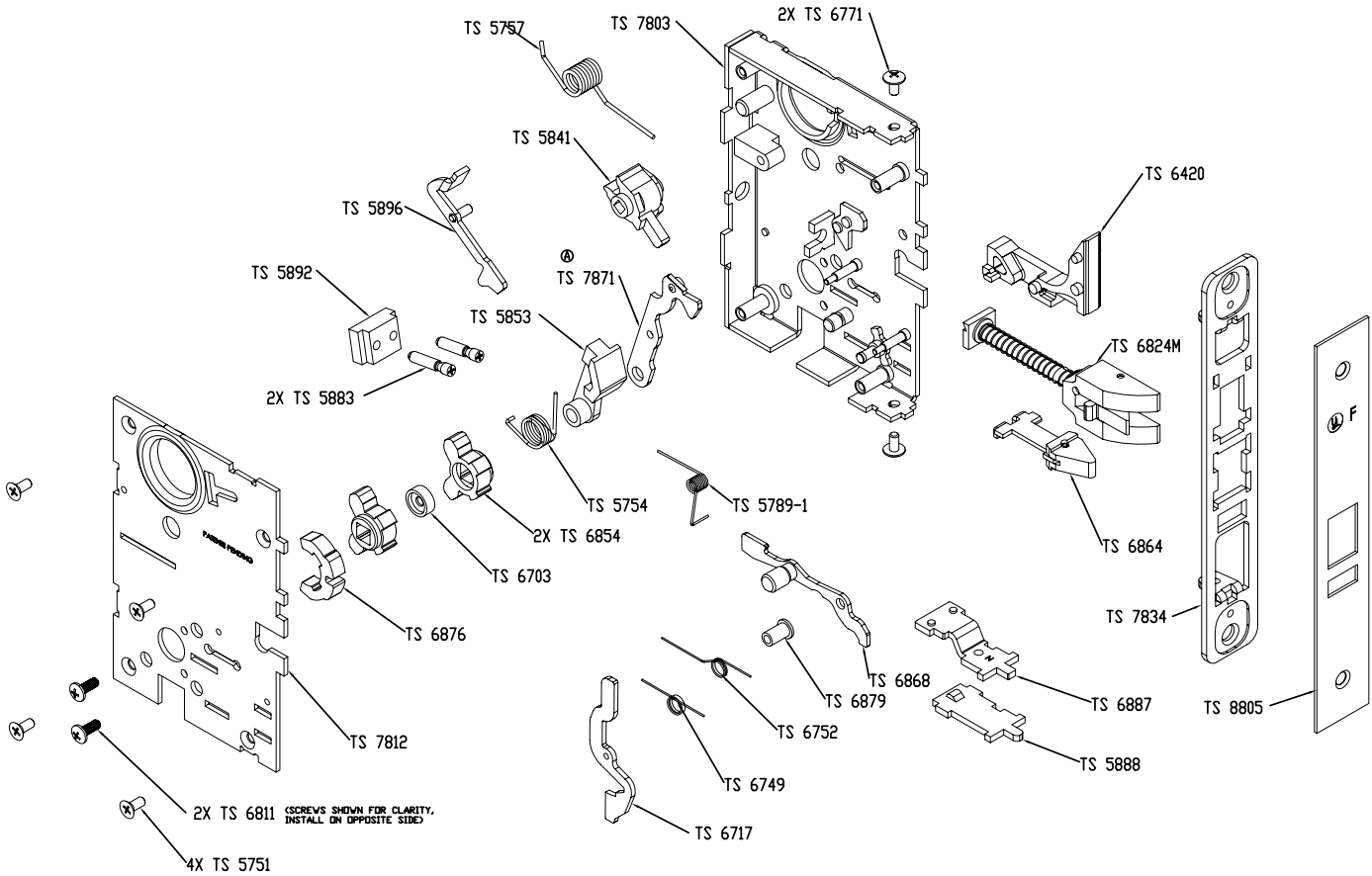


F04 Function case

Regular Mortise Service Manual

Classroom Mortise F-05, RS-05, RE-05

NON-HANDED LOCK LH VERSION SHOWN

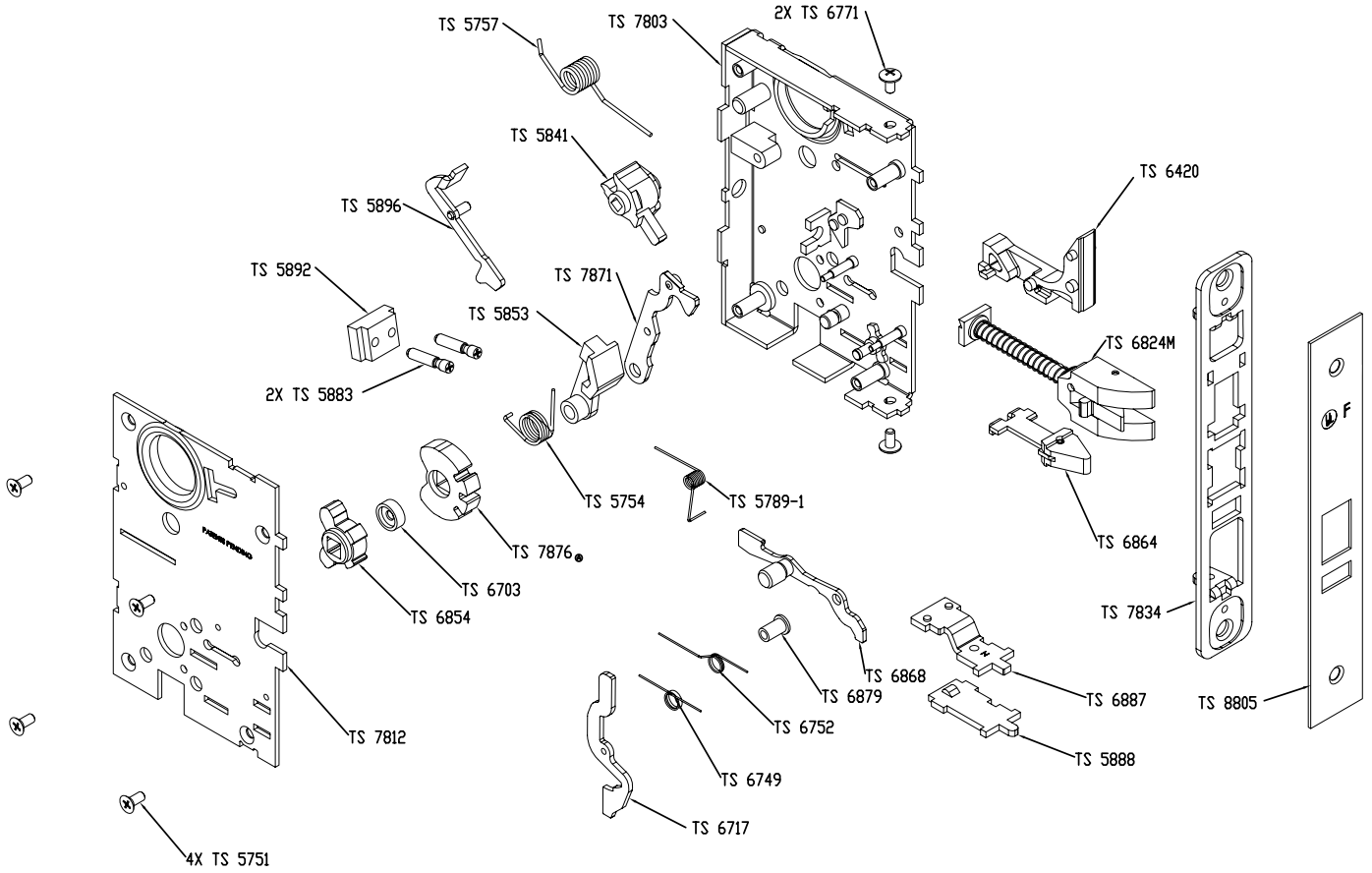


F05 Function case

Regular Mortise Service Manual

Holdback Mortise F-06, RS-06, RE-06

NON-HANDED LOCK LH VERSION SHOWN

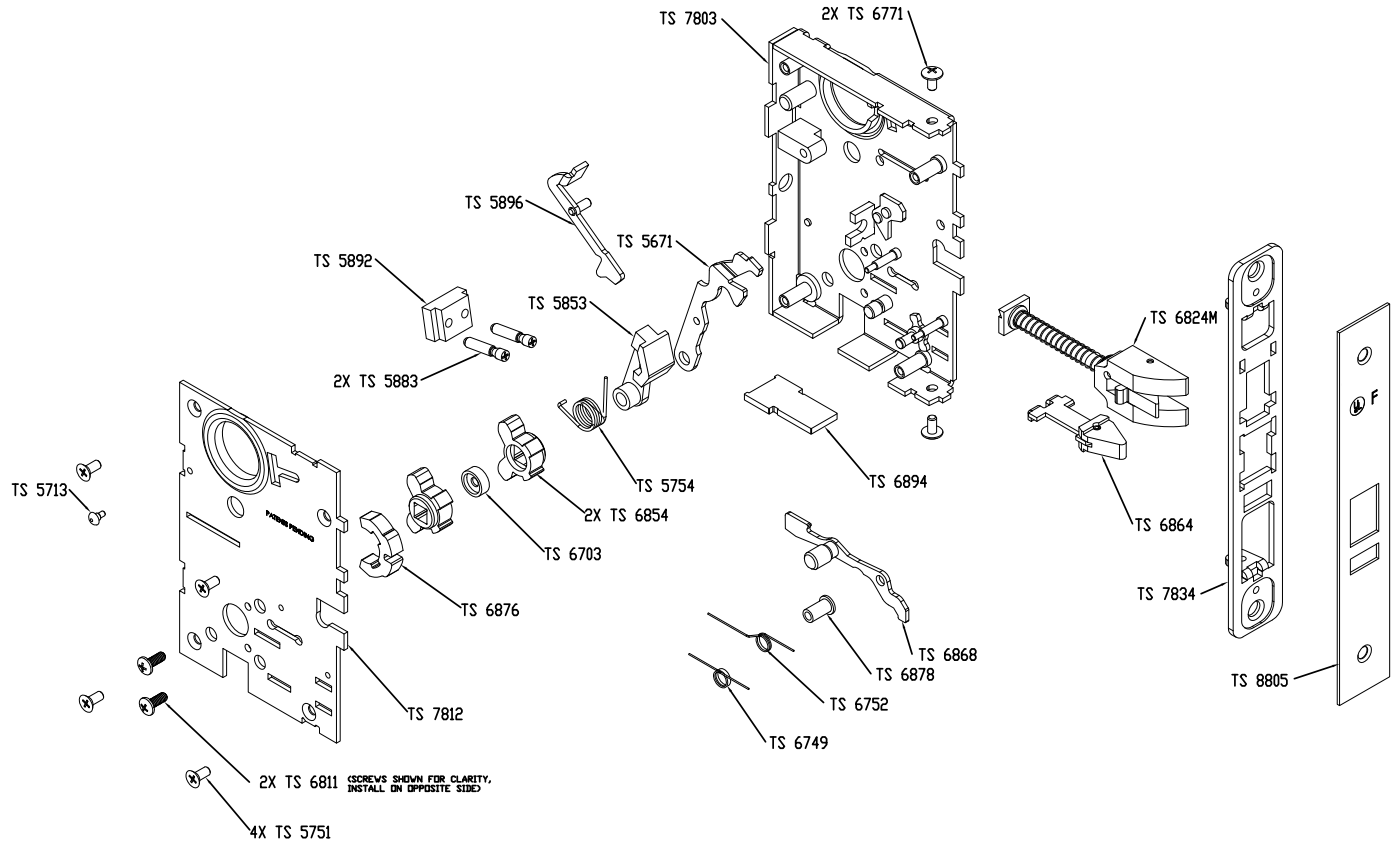


F06 Function case

Regular Mortise Service Manual

Storeroom or Closet Mortise F-07, RS-07, RE-07

NON-HANDED LOCK LH VERSION SHOWN

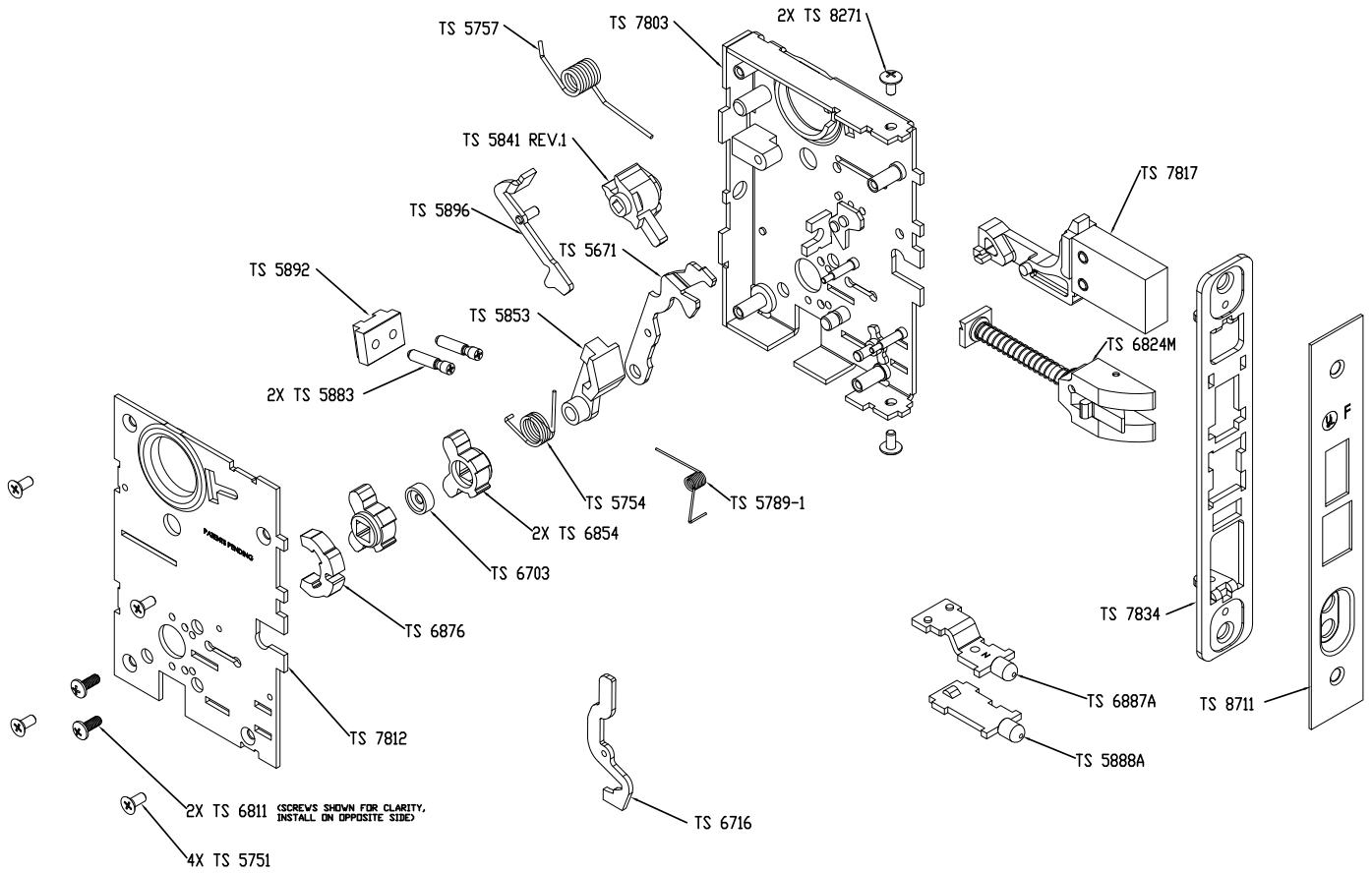


F07 Function Case

Regular Mortise Service Manual

Front Door or Corridor Mortise F-08, RS-08, RE-08

NON-HANDED LOCK LH VERSION SHOWN

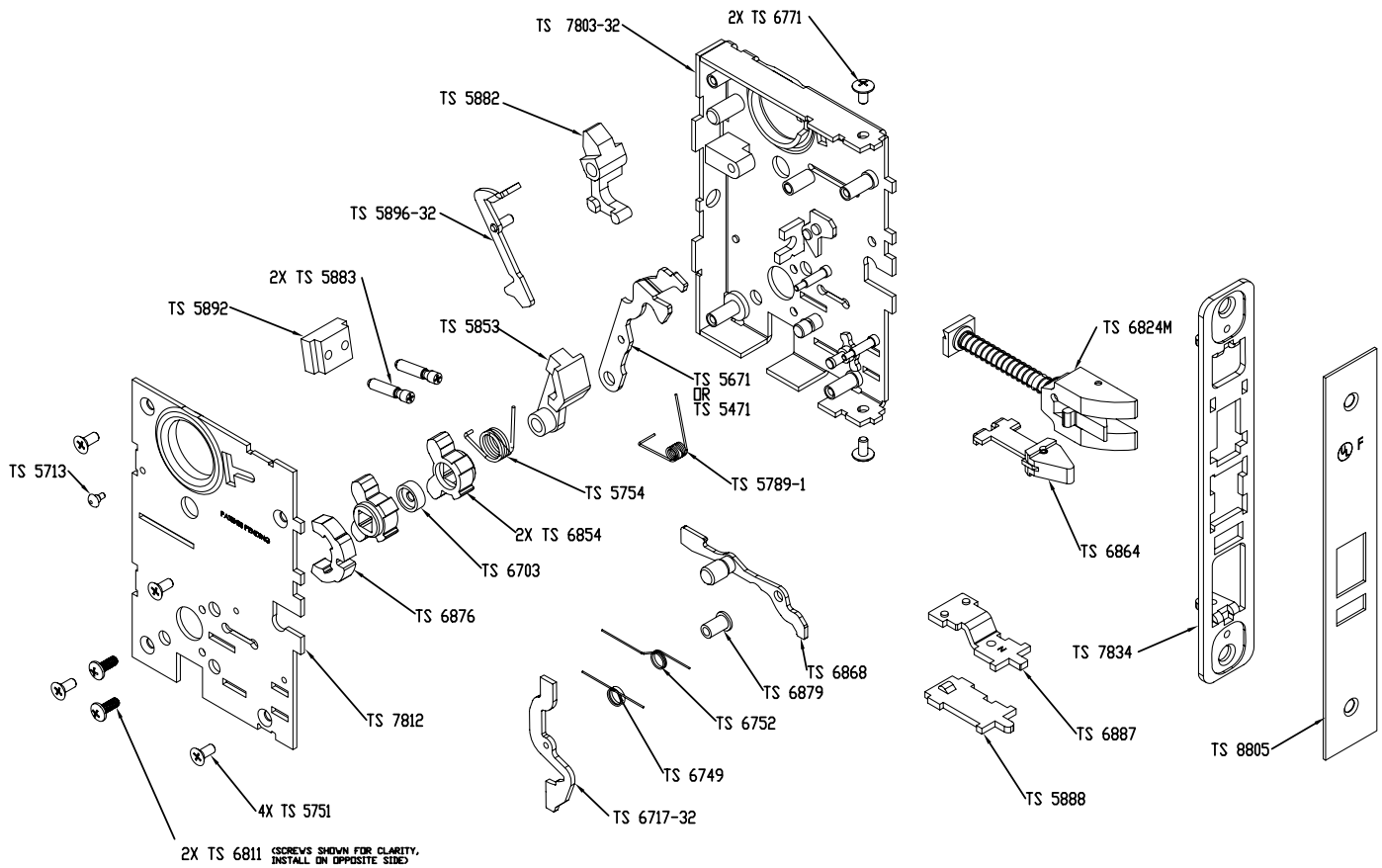


F08 Function case

Regular Mortise Service Manual

Apartment/Exit or Public Toilet Mortise F-09, RS-09, RE-09

NON-HANDED LOCK LH VERSION SHOWN

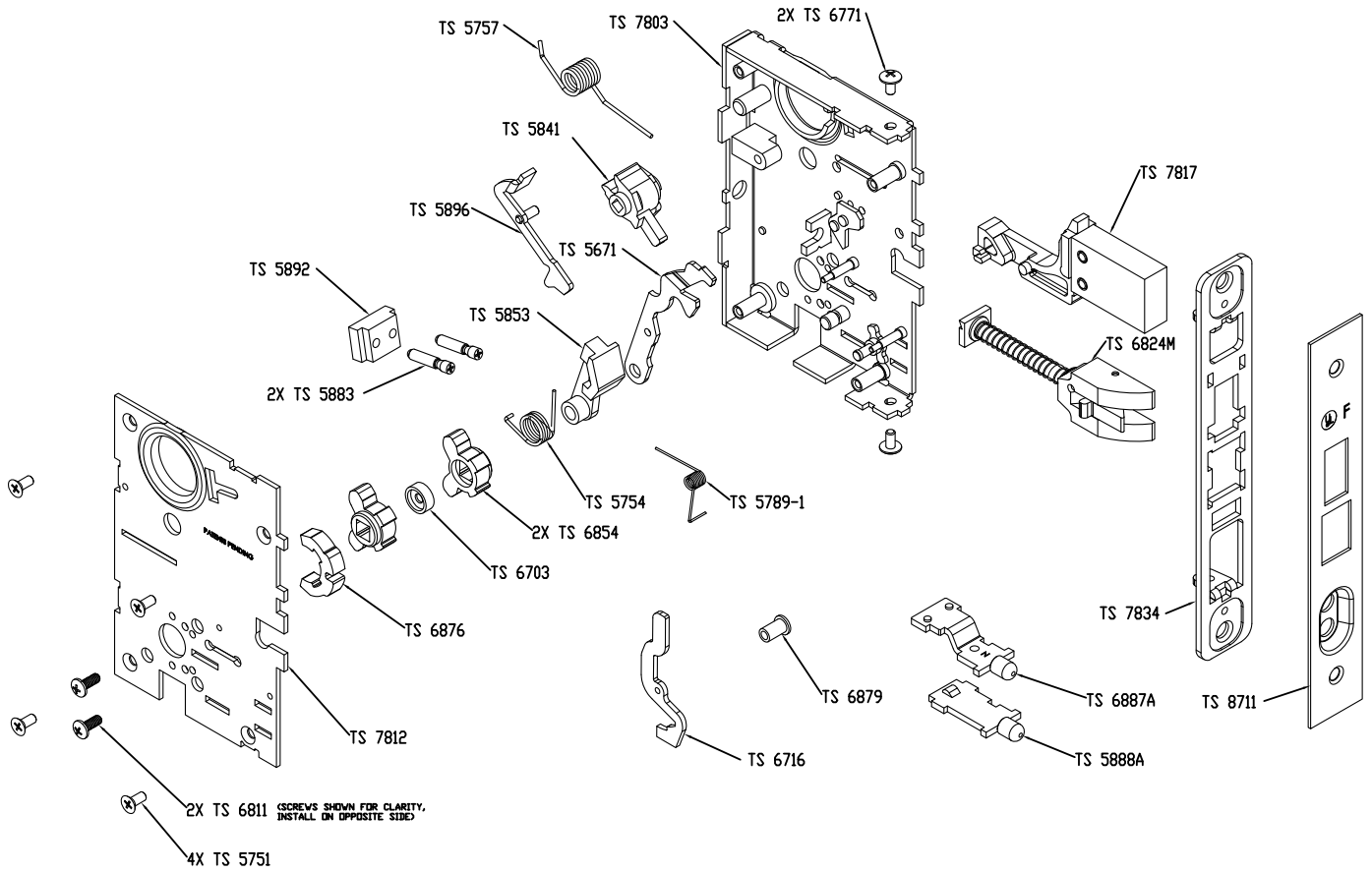


F09 Function Case

Regular Mortise Service Manual

Dormitory or Exit Lock Mortise F-11, RS-11, RE-11

NON-HANDED LOCK LH VERSION SHOWN

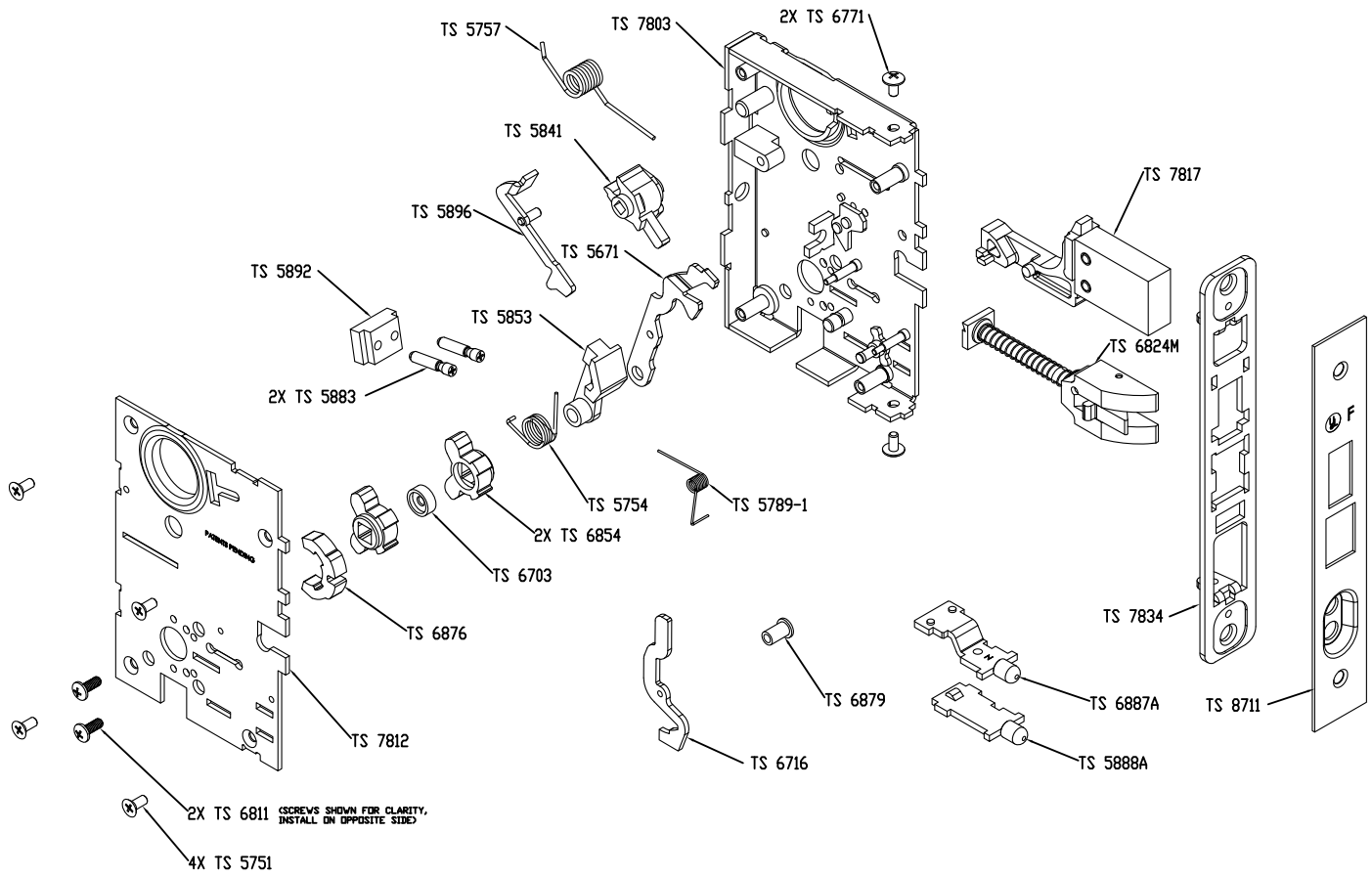


F11 Function Case

Regular Mortise Service Manual

Dormitory or Exit Mortise F-12, RS-12, RE-12

NON-HANDED LOCK LH VERSION SHOWN

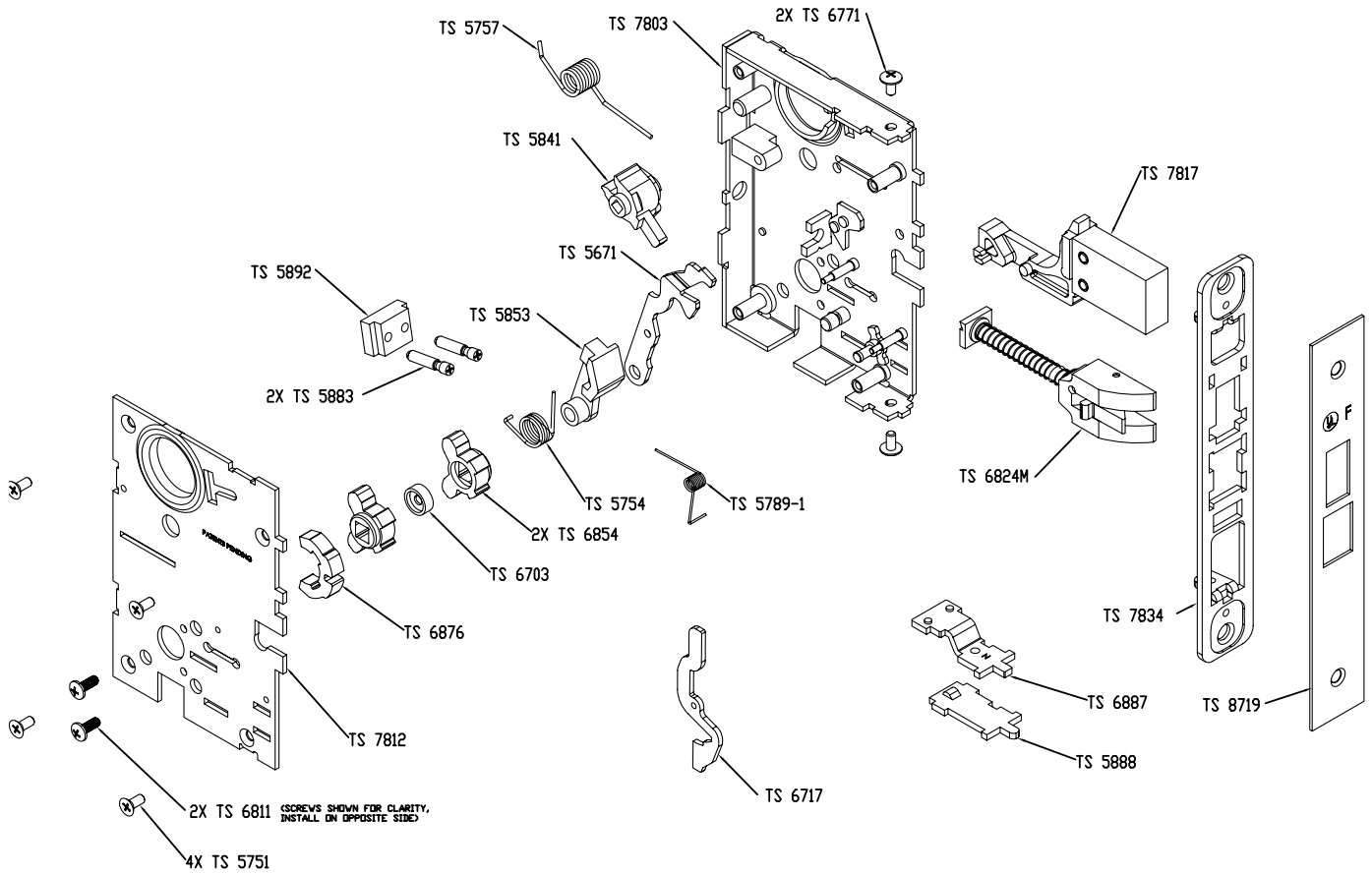


F12 Function Case

Regular Mortise Service Manual

Dormitory or Exit Mortise F-13, RS-13, RE-13

NON-HANDED LOCK LH VERSION SHOWN

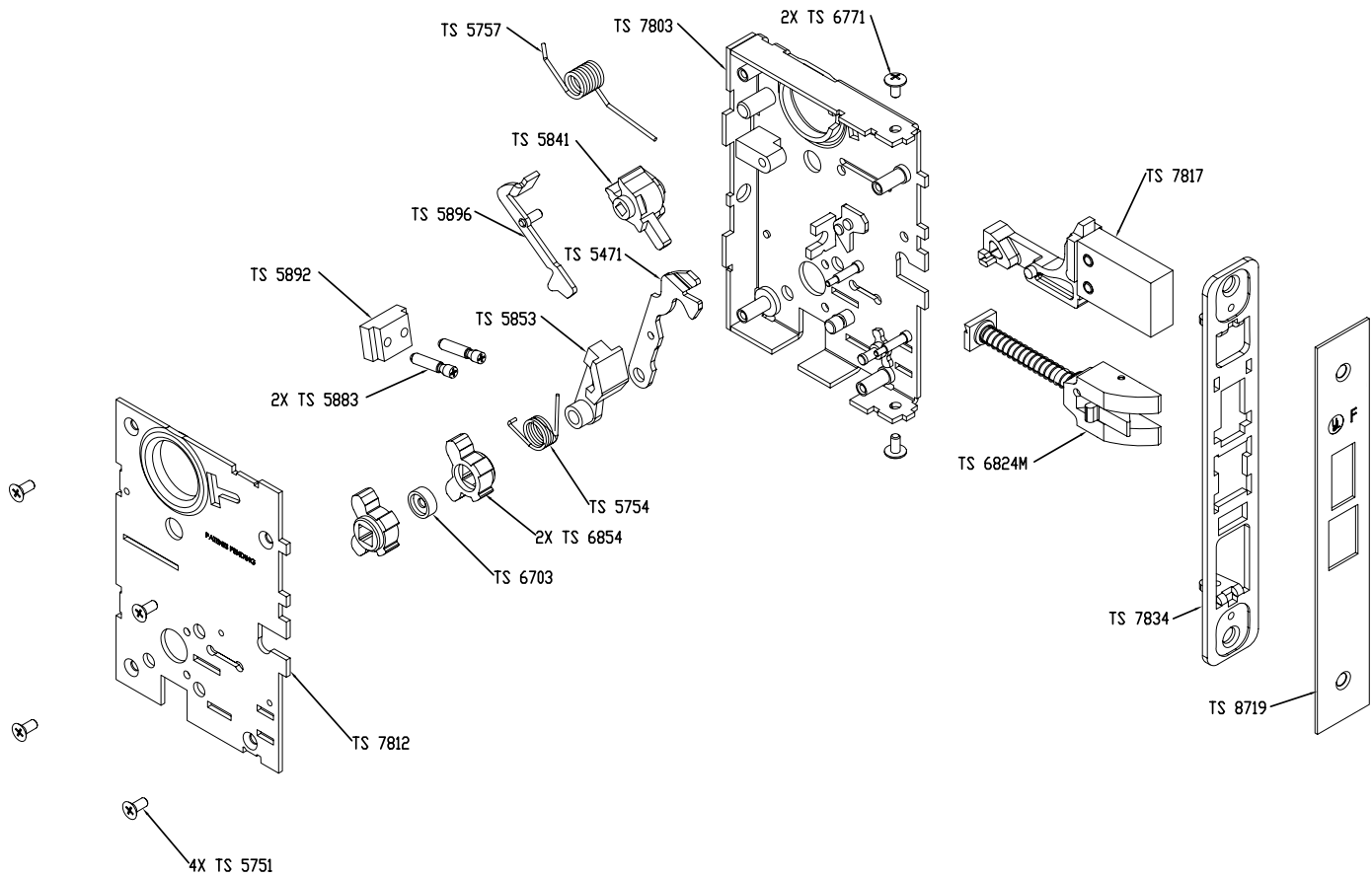


F13 Function Case

Regular Mortise Service Manual

Storeroom Mortise F-14, RS-14, RE-14

NON-HANDED LOCK LH VERSION SHOWN

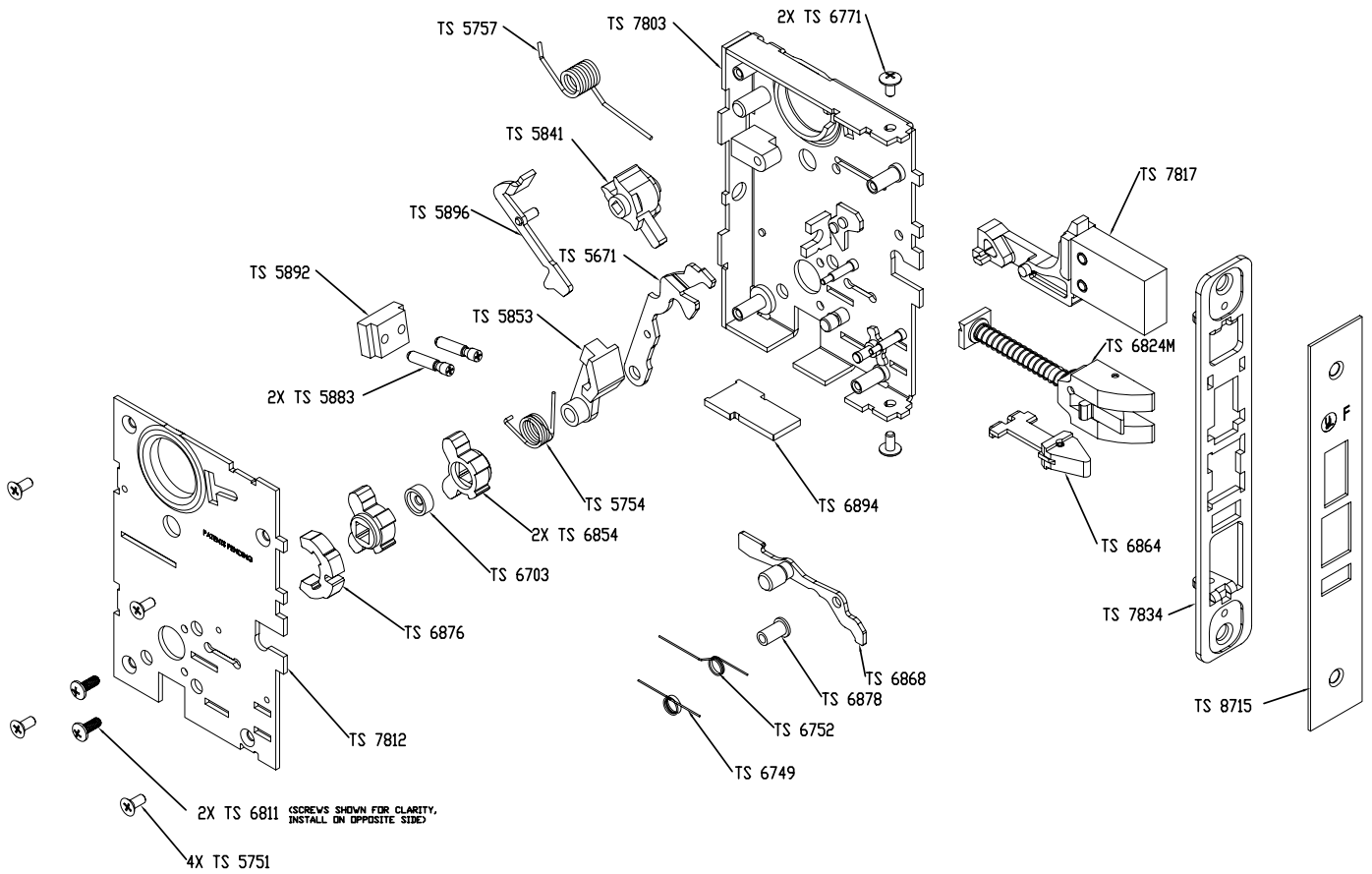


F14 Function Case

Regular Mortise Service Manual

Privacy Mortise F-15, RS-15, RE-15

NON-HANDED LOCK LH VERSION SHOWN

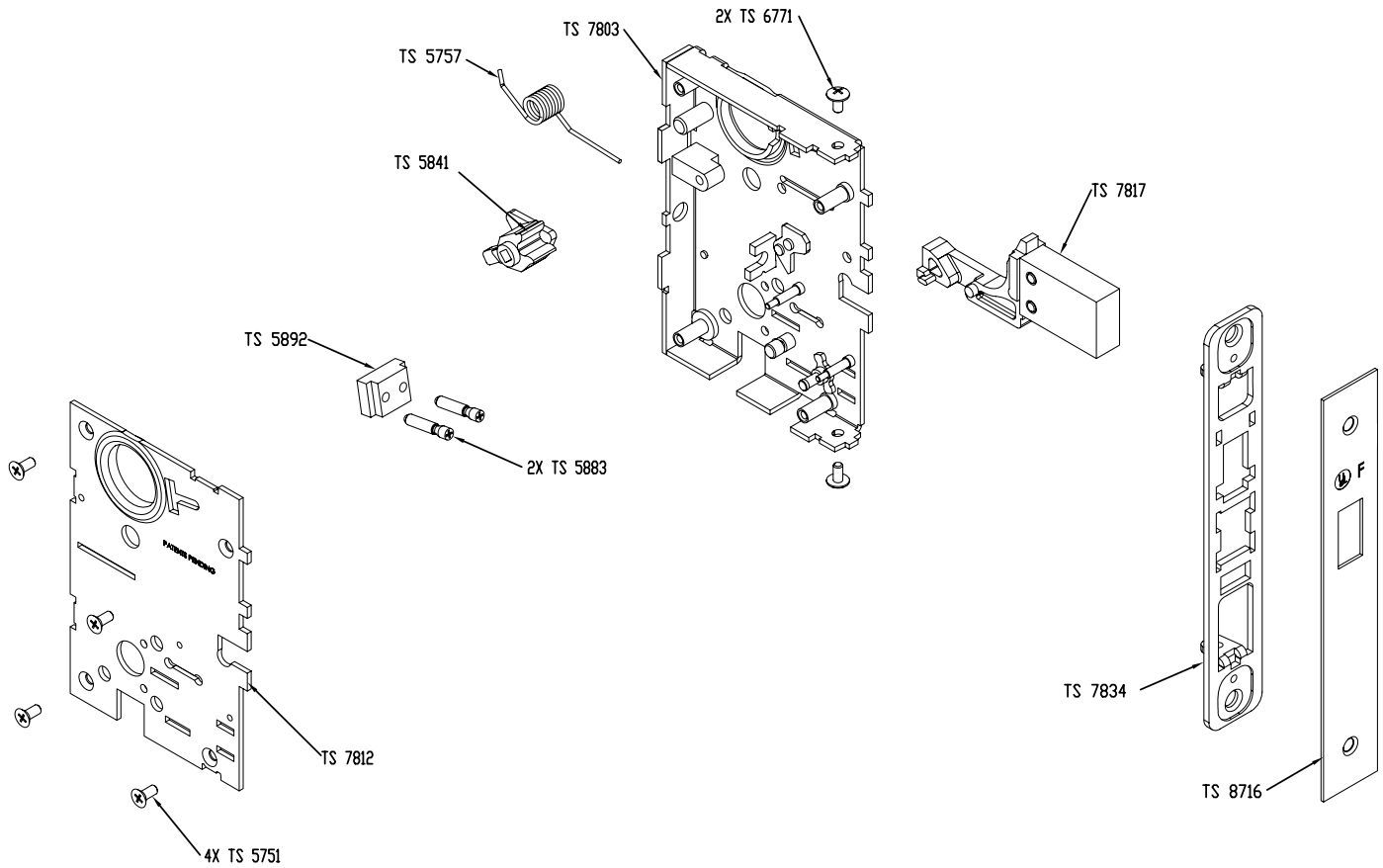


F15 Function Case

Regular Mortise Service Manual

Deadlock Mortise F-16/17/18, RS-16/17/18, RE-16/17/18

NON-HANDED LOCK

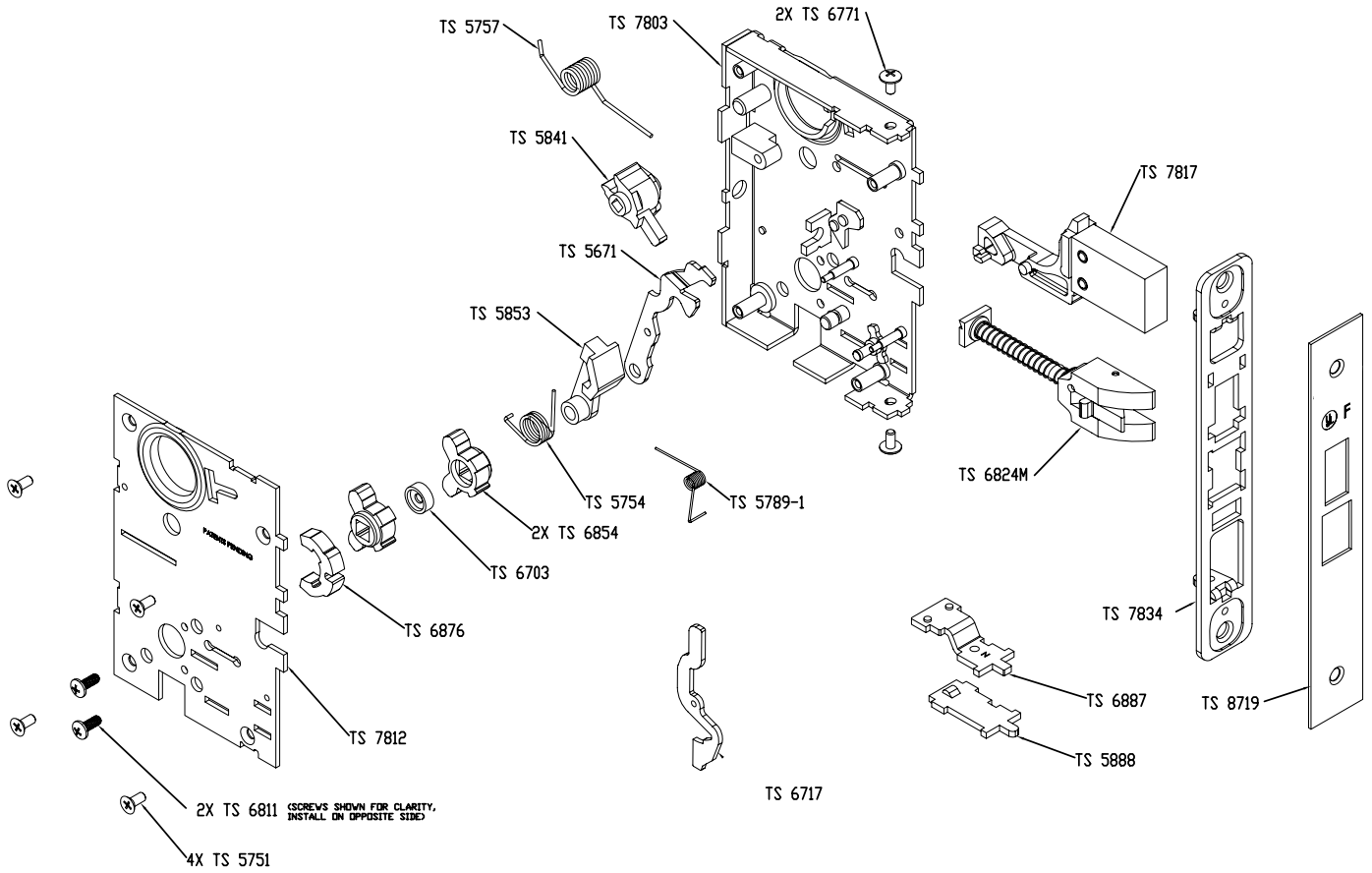


F16/F17/F18 Function Case

Regular Mortise Service Manual

Privacy or Bathroom Mortise F-19, RS-19, RE-19

NON-HANDED LOCK LH VERSION SHOWN

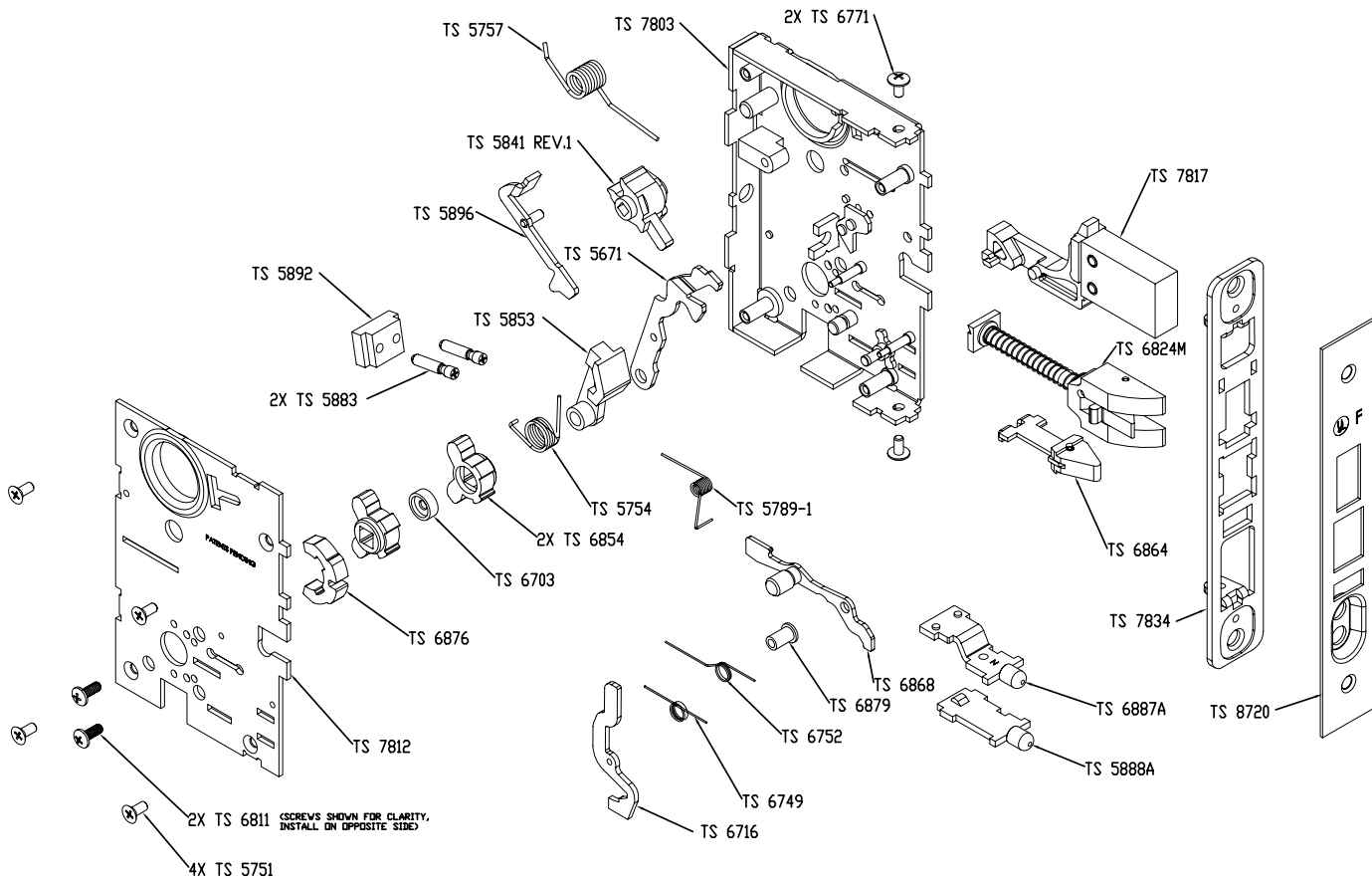


F19 Function Case

Regular Mortise Service Manual

Entrance/Apartment/Dormitory Mortise F-20, RS-20, RE-020

NON-HANDED LOCK LH VERSION SHOWN

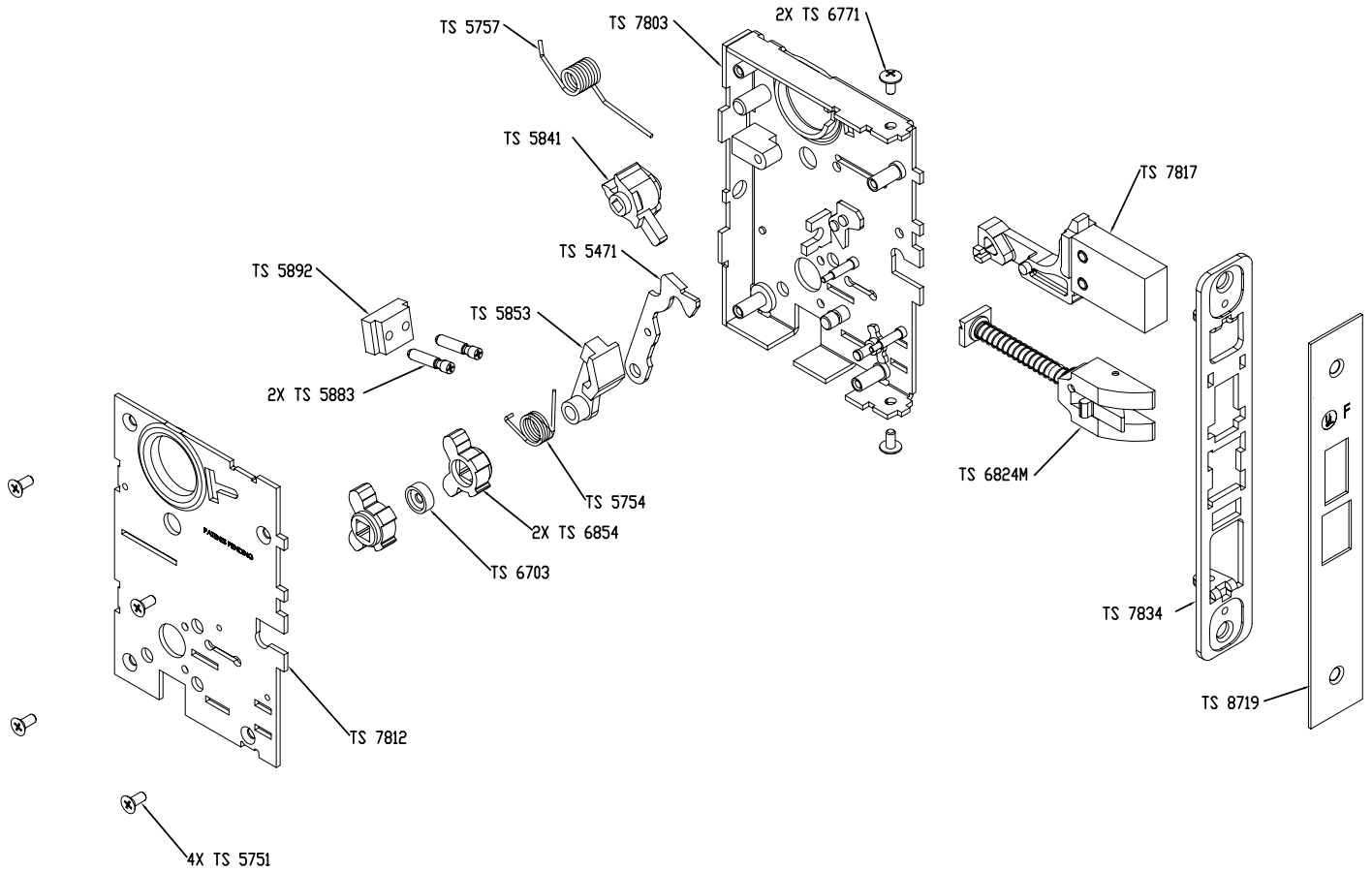


F20 Function Case

Regular Mortise Service Manual

Dormitory with Dead bolt Mortise F-21, RS-21, RE-21

NON-HANDED LOCK LH VERSION SHOWN

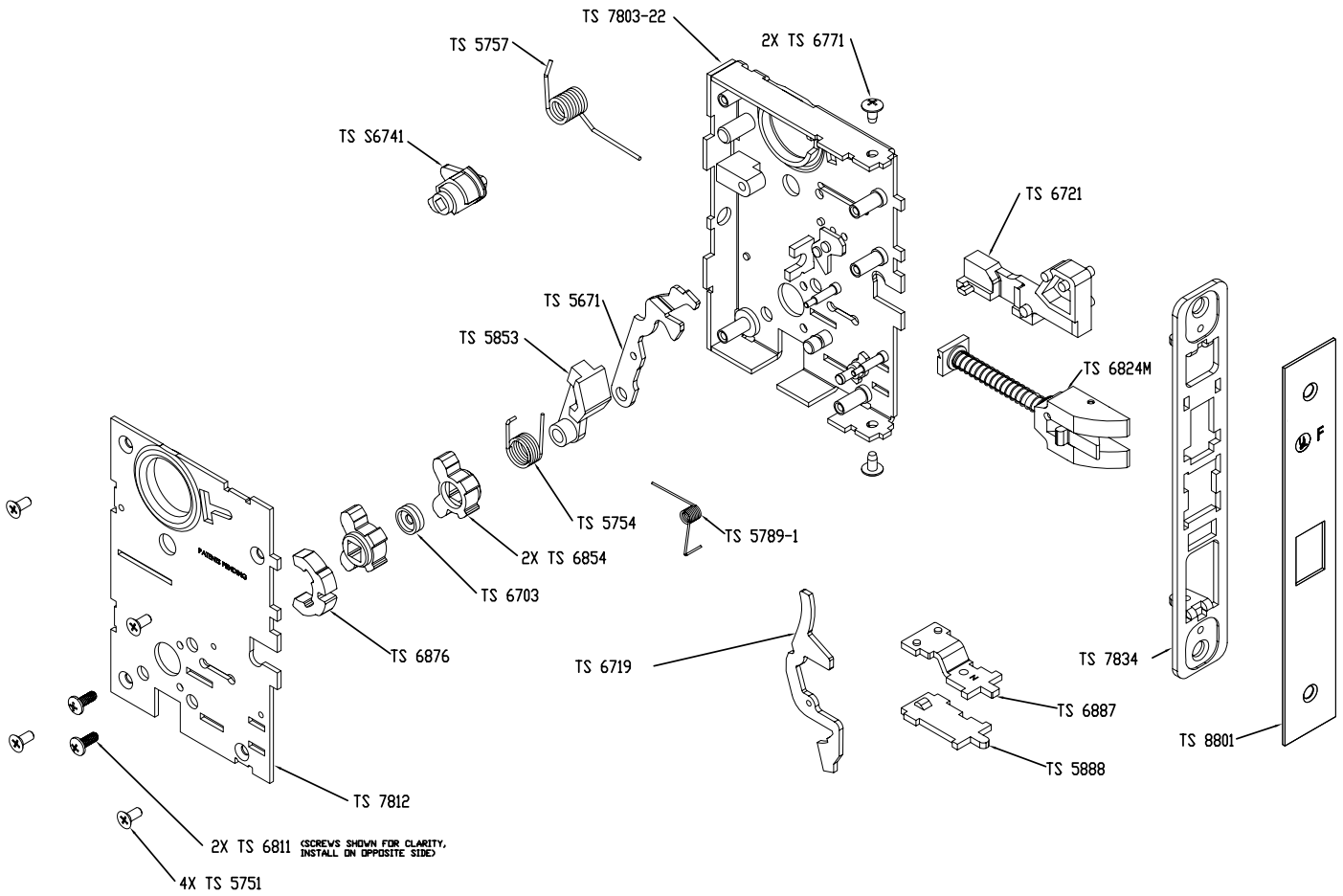


F21 Function Case

Regular Mortise Service Manual

Privacy Mortise F-22, RS-22, RE-022

NON-HANDED LOCK LH VERSION SHOWN

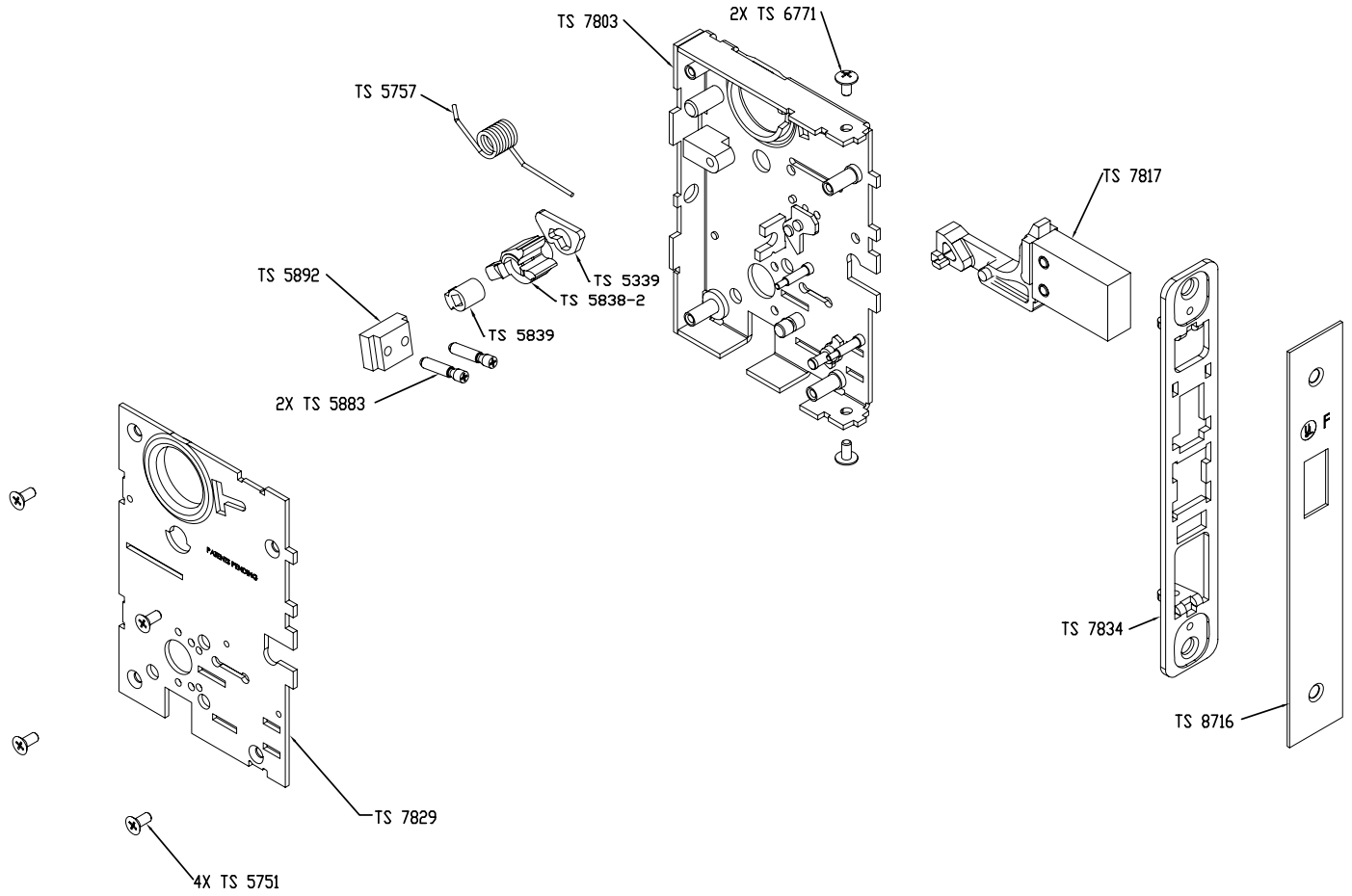


F22 Function Case

Regular Mortise Service Manual

Classroom Dead bolt Mortise F-29, RS-29, RE-29

HANDABLE LOCK RH VERSION SHOWN

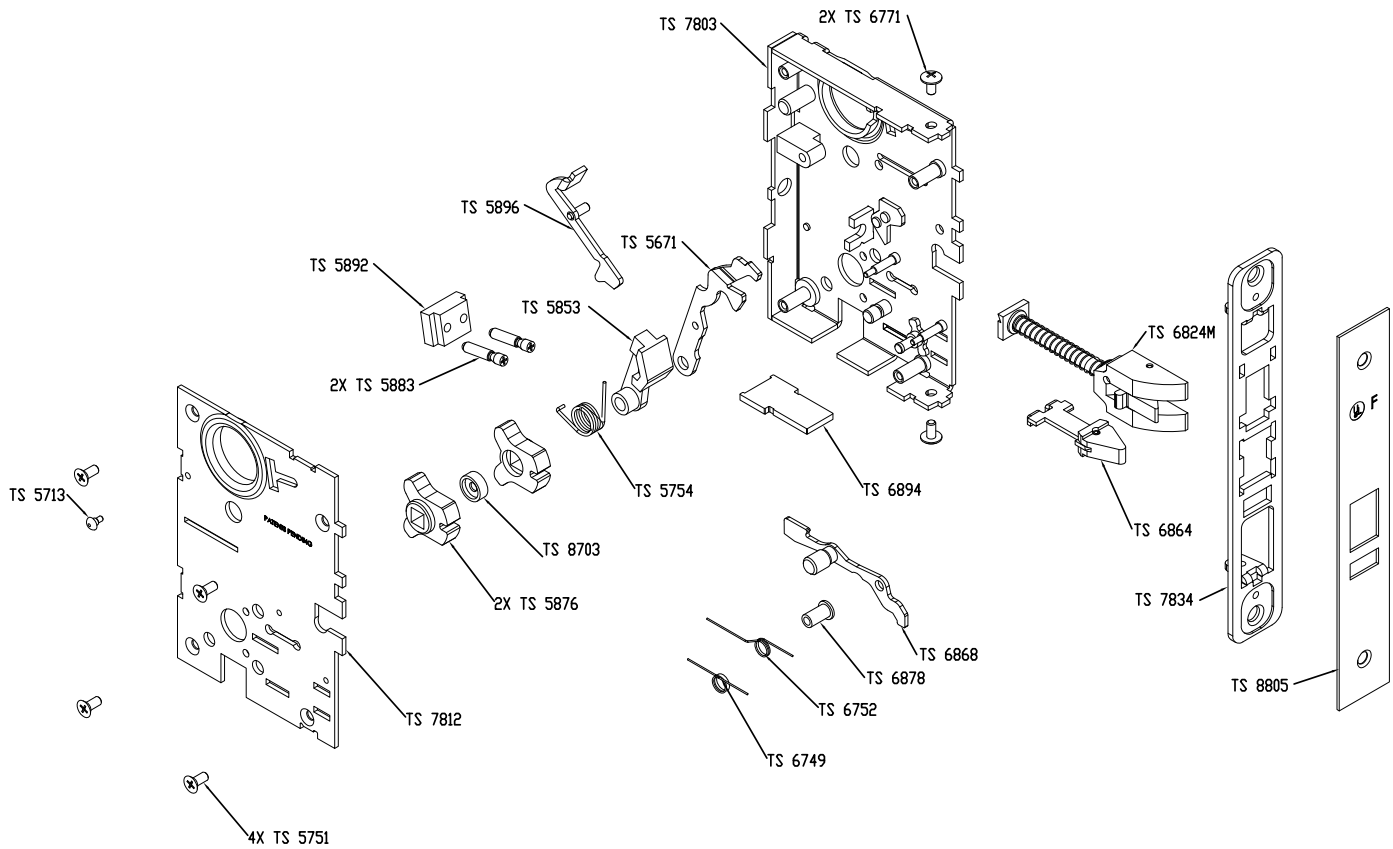


F29 Function Case

Regular Mortise Service Manual

Institutional Mortise F-30, RS-30, RE-30

NON-HANDED LOCK LH VERSION SHOWN

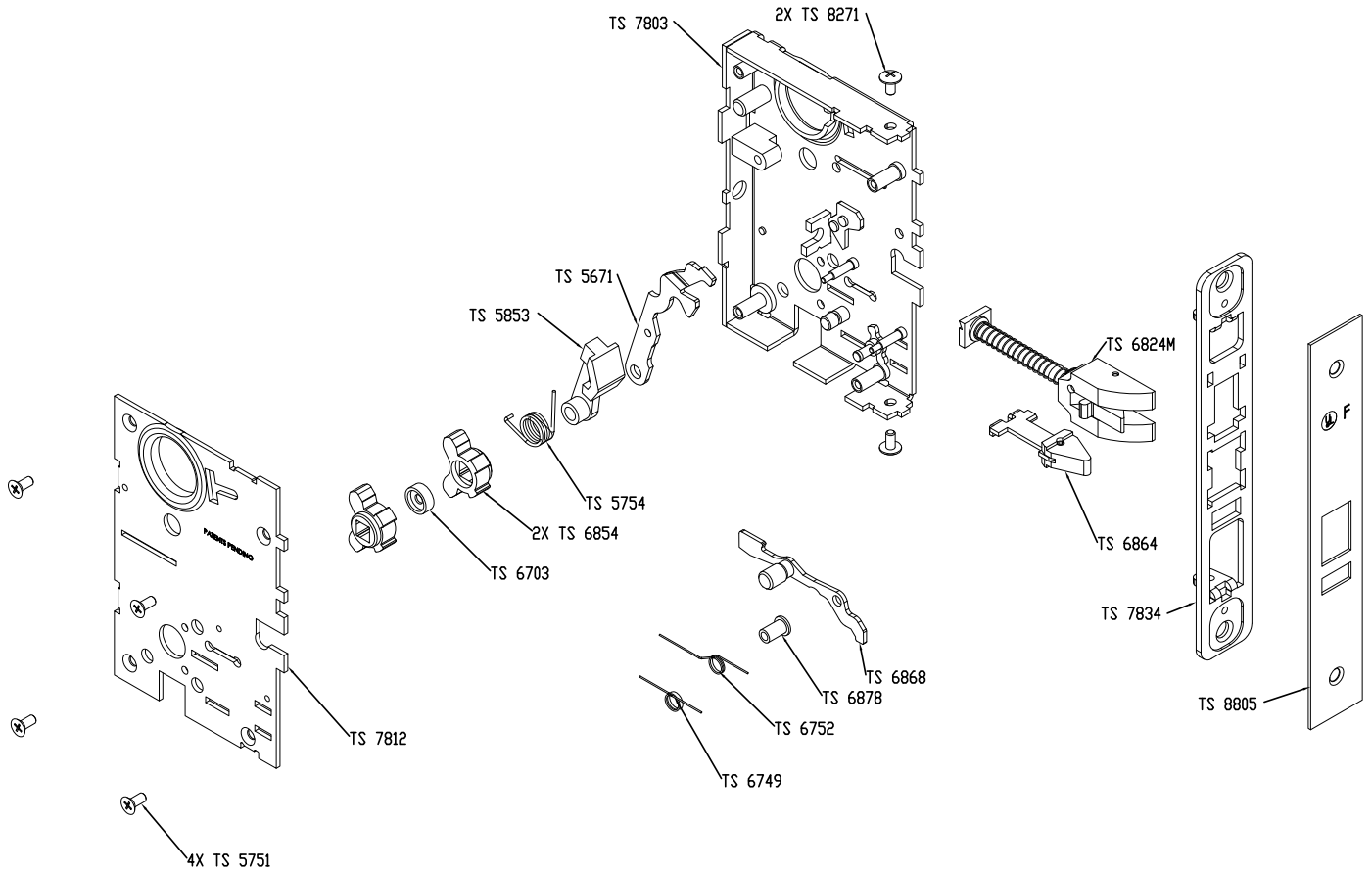


F30 Function Case

Regular Mortise Service Manual

Exit Mortise F-31, RS-31, RE-31

NON-HANDED LOCK LH VERSION SHOWN

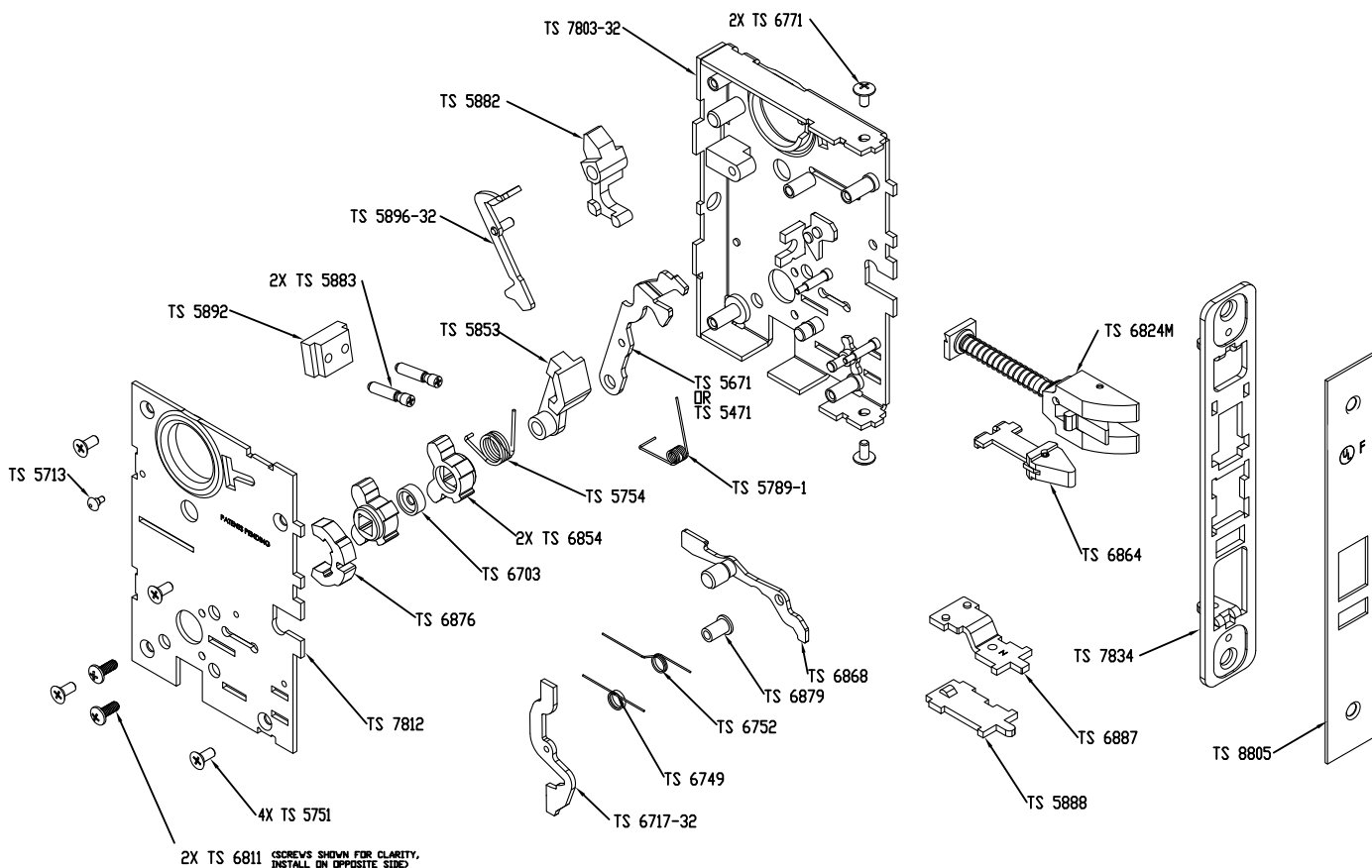


F31 Function Case

Regular Mortise Service Manual

Intruder Latch bolt Mortise F-32, RS-32, RE-32

NON-HANDED LOCK LH VERSION SHOWN

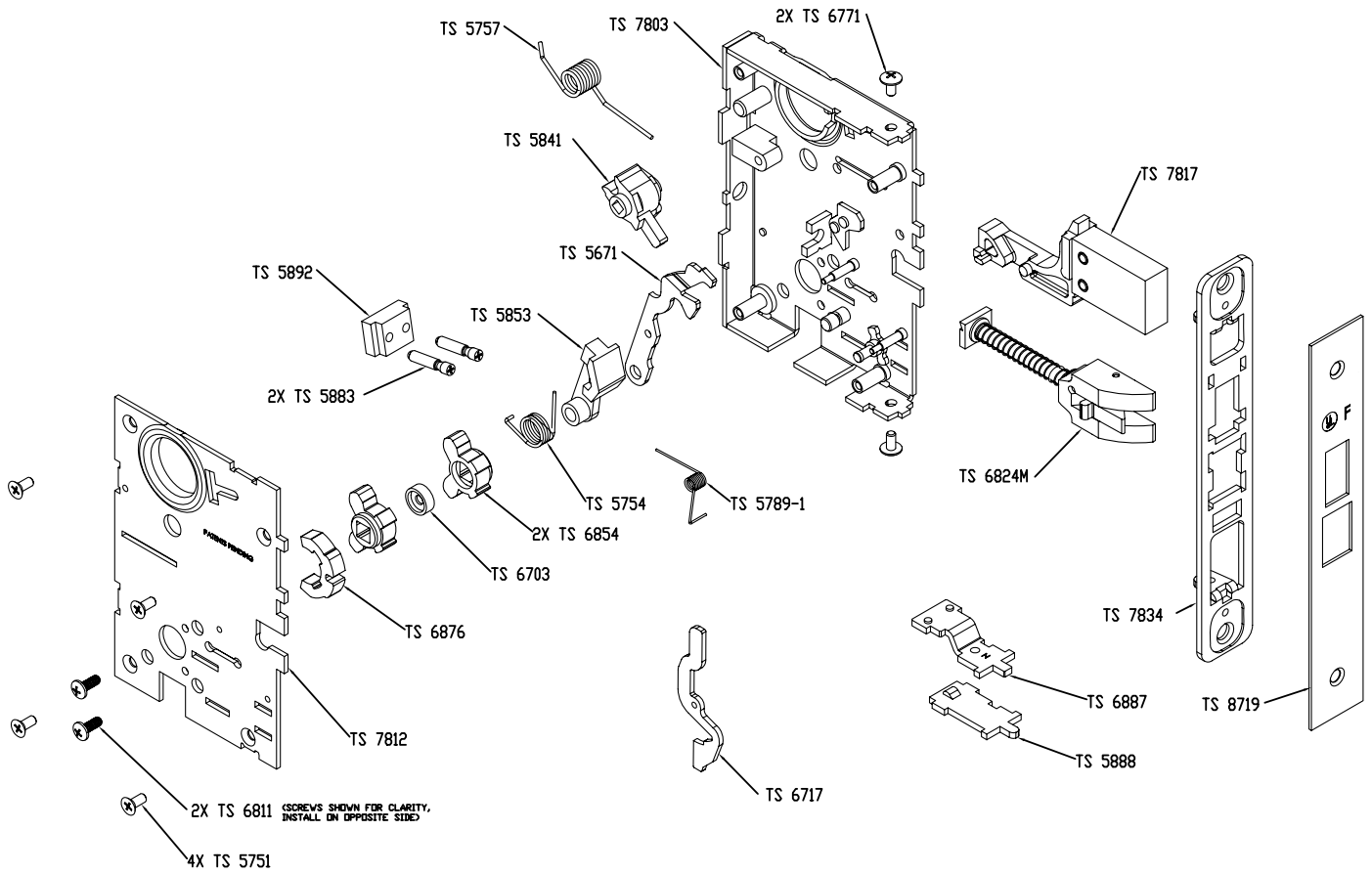


F32 Function Case

Regular Mortise Service Manual

Intruder Dead bolt Mortise F-33, RS-33, RE-33

NON-HANDED LOCK LH VERSION SHOWN

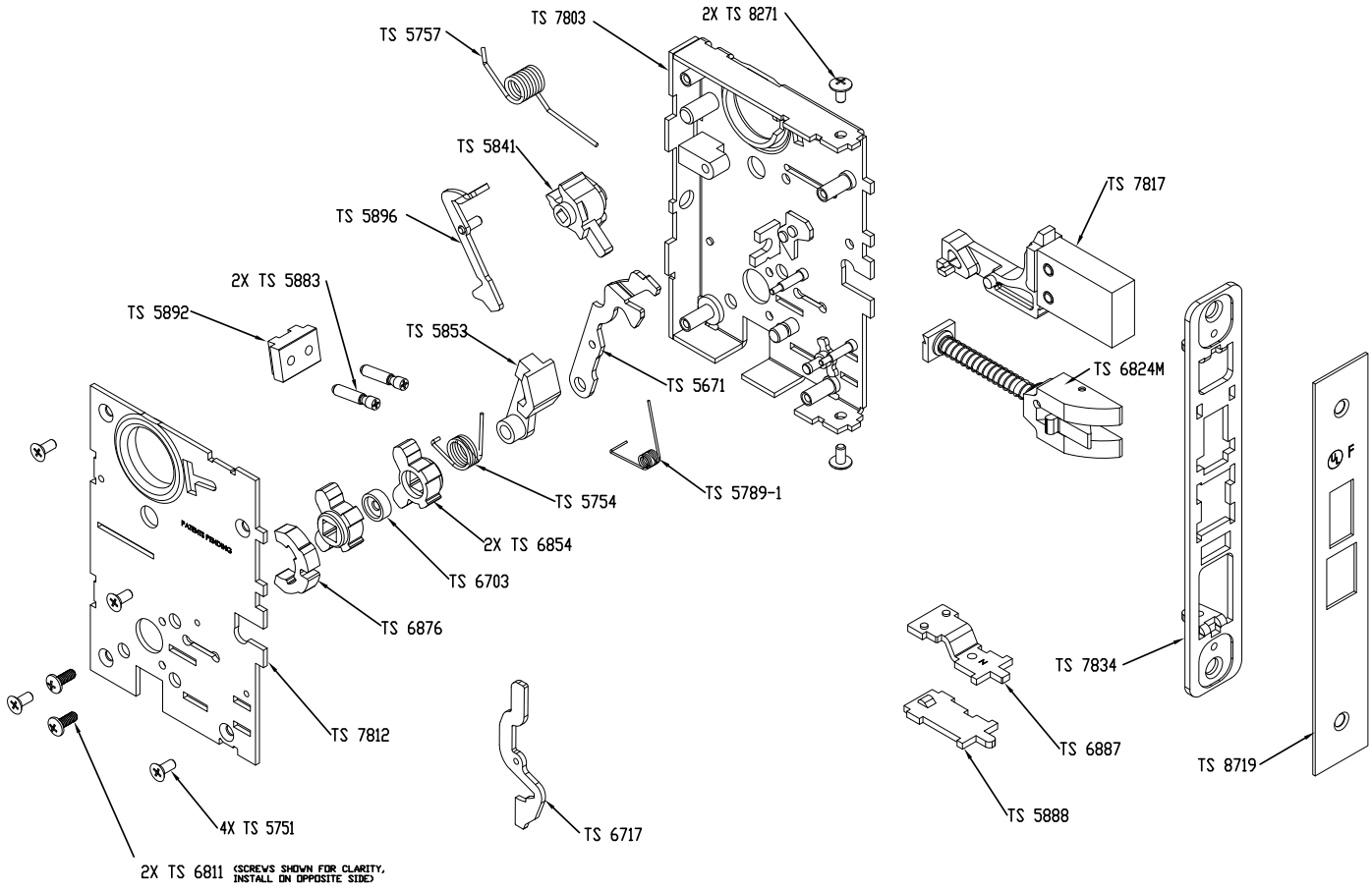


F33 Function Case

Regular Mortise Service Manual

Intruder Dead bolt Mortise F-34, RS-34, RE-34

NON-HANDED LOCK LH VERSION SHOWN

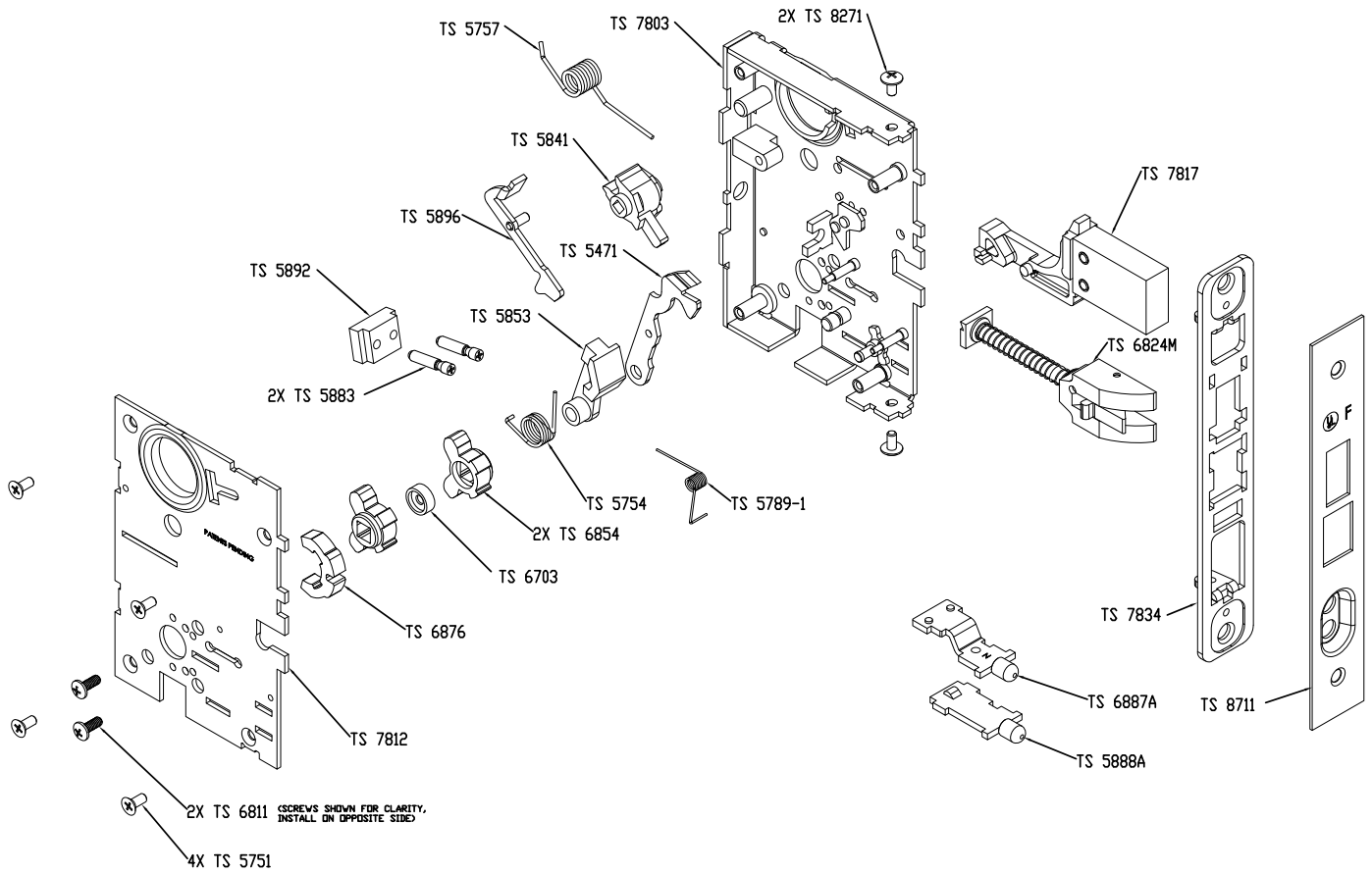


F34 Function Case

Regular Mortise Service Manual

Storeroom with Dead bolt Mortise F-35, RS-35, RE-35

NON-HANDED LOCK LH VERSION SHOWN

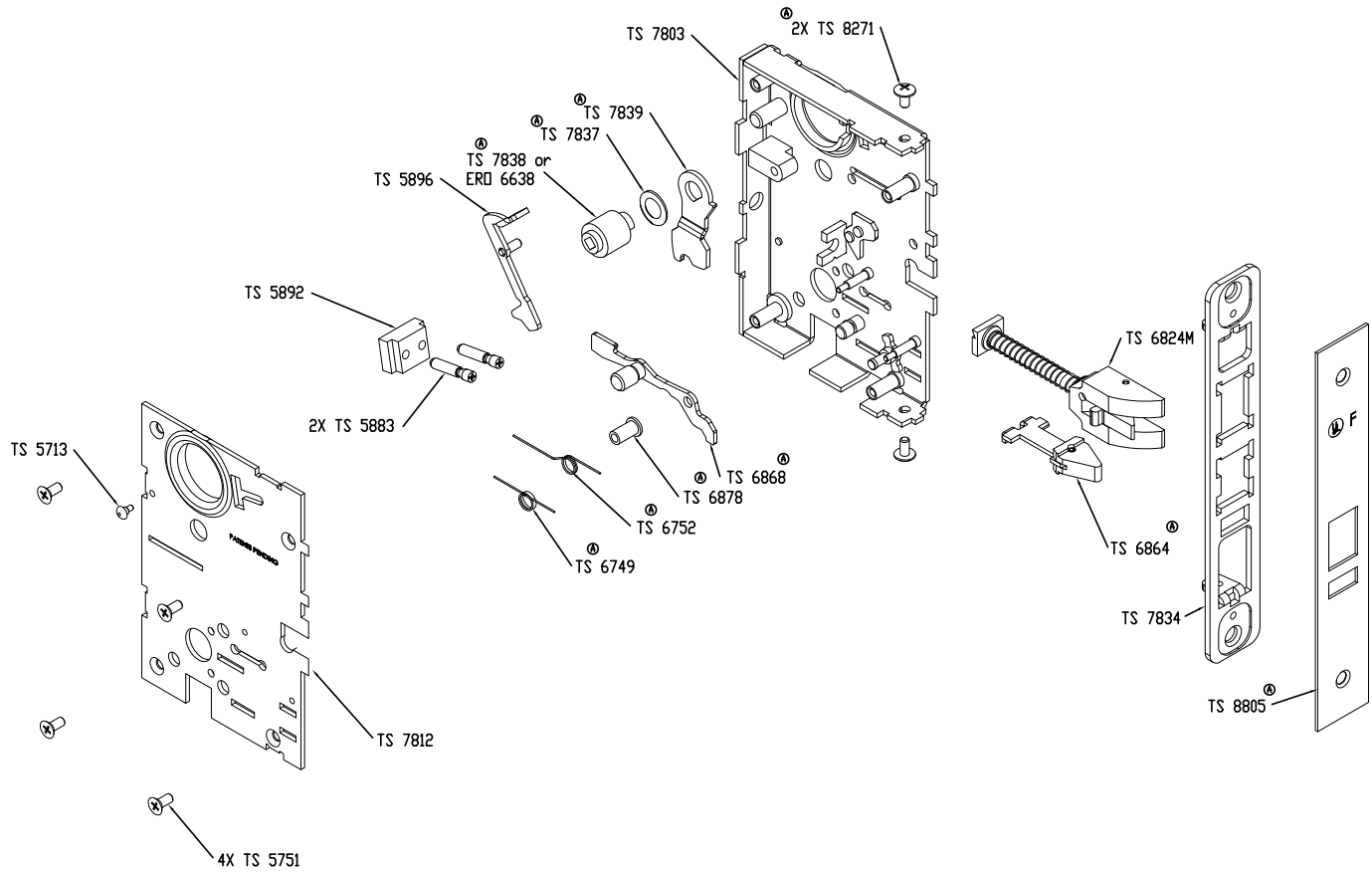


F35 Function Case

Regular Mortise Service Manual

Hotel Privacy Mortise RS-81, RE-81

NON-HANDED LOCK LH VERSION SHOWN

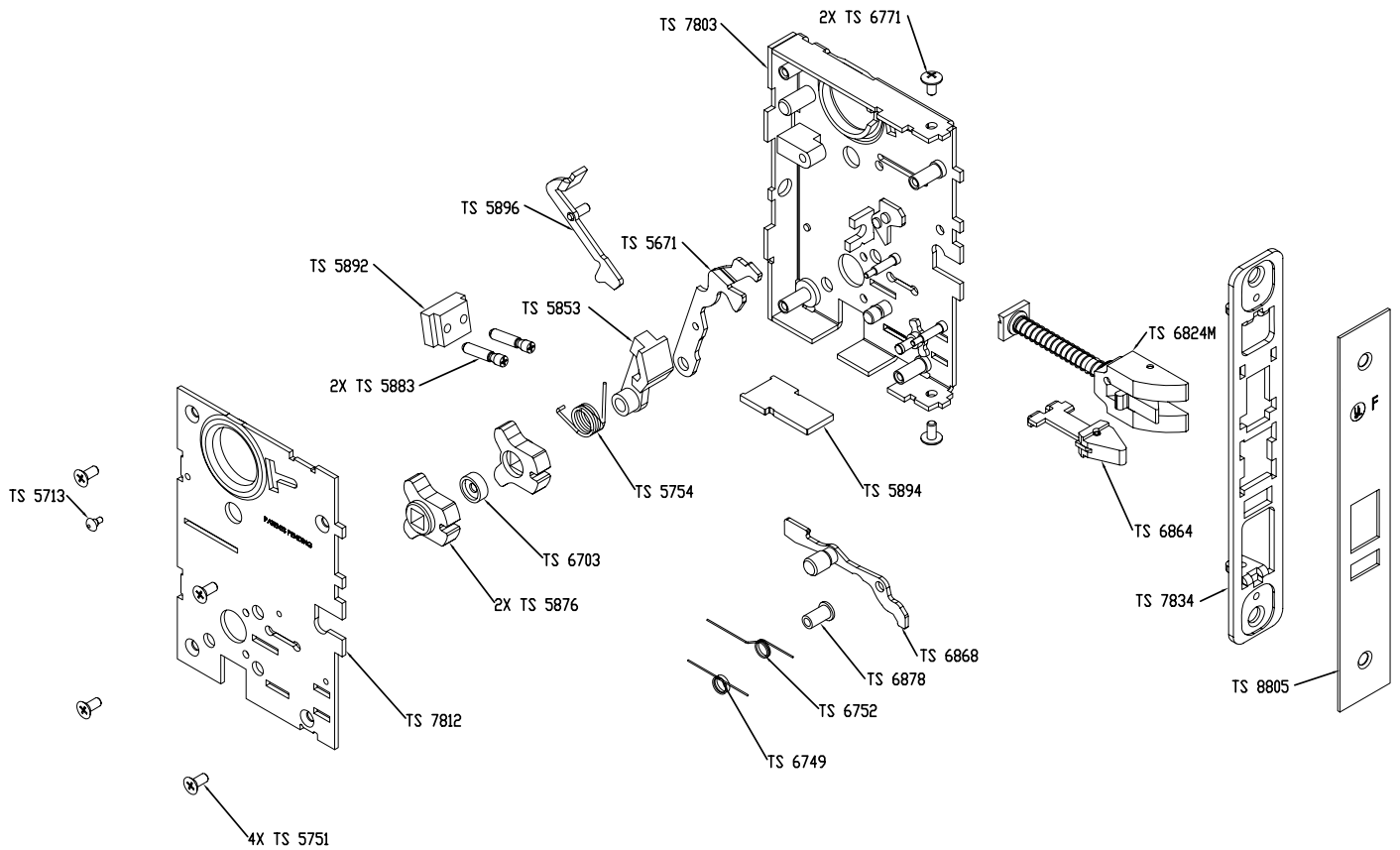


81 Function Case

Regular Mortise Service Manual

Storeroom with Double Cylinder Mortise RS-82, RE-82

NON-HANDED LOCK LH VERSION SHOWN

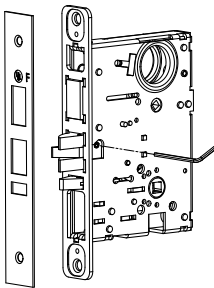


82 Function Case

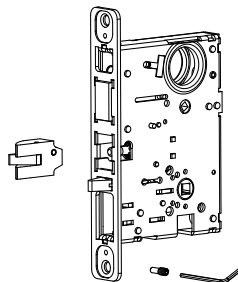
Regular Mortise Service Manual

Mortise Chassis Handing Change Instruction

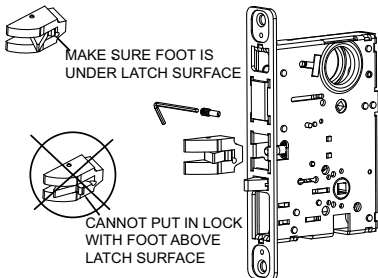
Change the latchbolt position



1. Remove special screw with provided allen wrench



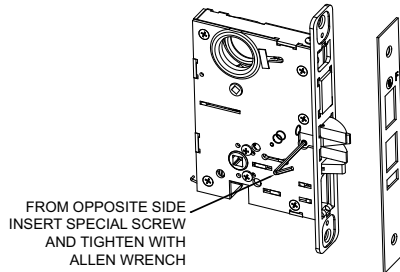
2. Pull latch bolt out of lock



MAKE SURE FOOT IS UNDER LATCH SURFACE

CANNOT PUT IN LOCK WITH FOOT ABOVE LATCH SURFACE

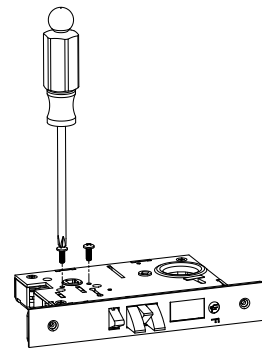
3. Rotate Latch bolt 180° and reinstall into lock, pushing the latch bolt into the lock and then releasing.



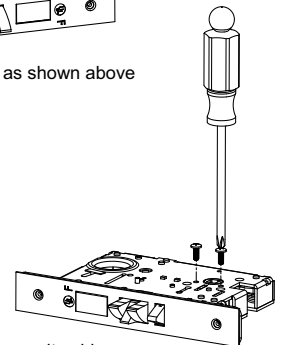
FROM OPPOSITE SIDE INSERT SPECIAL SCREW AND TIGHTEN WITH ALLEN WRENCH

4. Reinstall the special screw and tighten securely with the provided allen wrench.

Change the locking slide position



1. Remove 2 screws as shown above



2. Turn lock over to opposite side and reinstall screws as shown above. To ensure locking slide does not bind, manually push to the desired side or alternate tightening each screw every 2-3 turns.

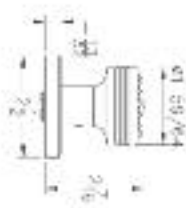
LEVER / KNOB OPTIONS



Plated Knobs and Levers



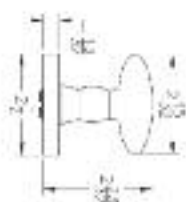
Blaine



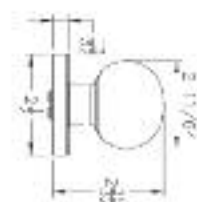
Madrid



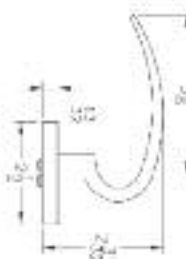
Oviedo



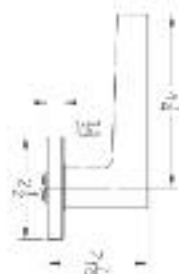
Regal



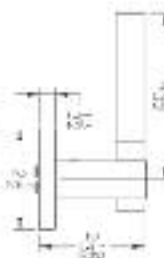
Artistic



Bergen



Bonn-short



Bonn



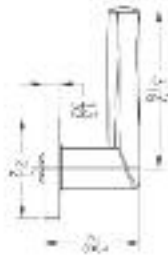
Plated Knobs and Levers



Box



Brighton



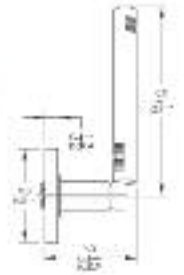
Buff



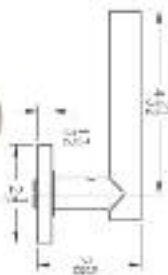
Caesars



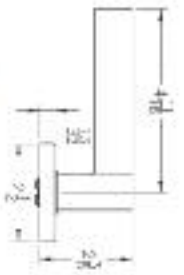
Congress



Danc



Delano



Dublin



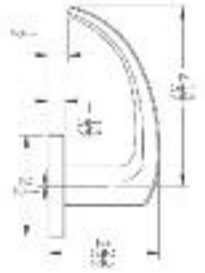
Plated Knobs and Levers



Oslo



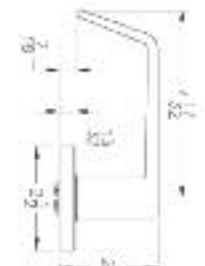
Quest



Rio



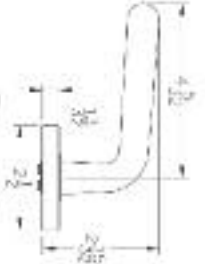
Sentinel



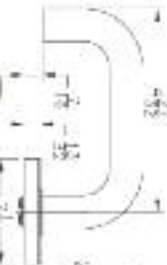
Swindon



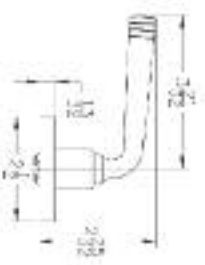
Sydney



Tango



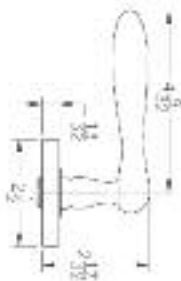
Thames



Plated Knobs and Levers



Tuscany



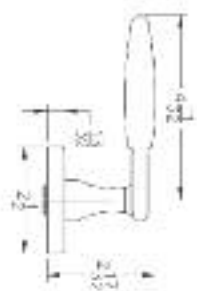
Verona



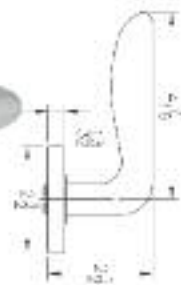
Vienna



Windsor



Zurich



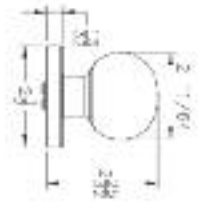
Stainless Steel Knobs and Levers



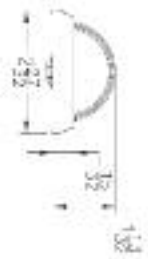
Push/Pull



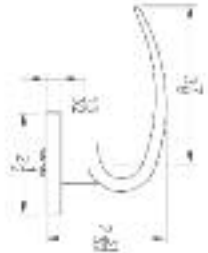
Regal



NSL



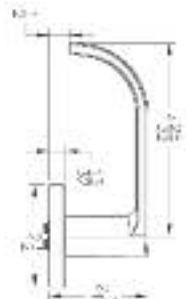
Artistic



Ayer



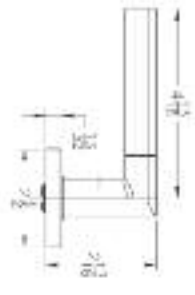
Congress



Cork



Cork-X



Stainless Steel Knobs and Levers



Delano



Firenze



Flam



Foxton



Gela



Genca

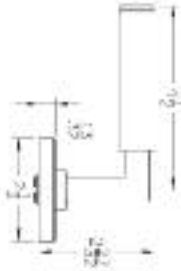


Imperial

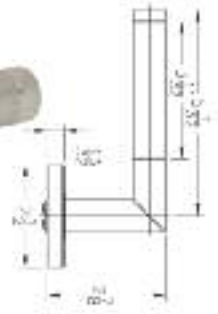


Katie

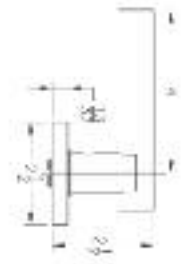
Stainless Steel Knobs and Levers



Lepaz



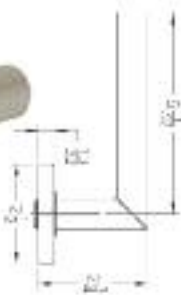
Lido



Lubeck



Lynex



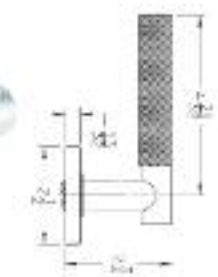
Maimo



Minsk



Norse



Oland



Plated Thumb Turn

Standard



Classic Visible

Optional



Classic Concealed



ADA



Classic Square



Modern



Vintage

Stainless Steel Thumb Turn

Standard



Classic Visible

Optional



Classic Concealed

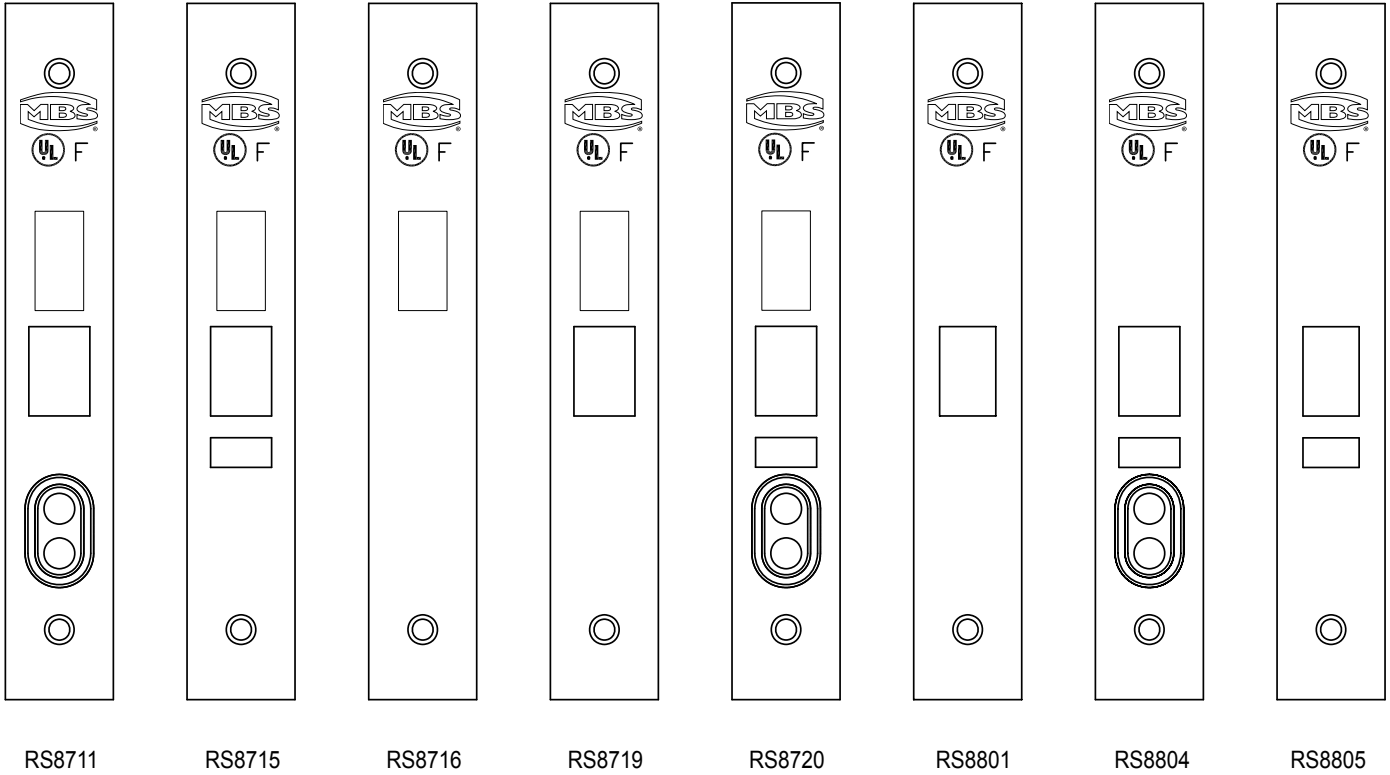


ADA

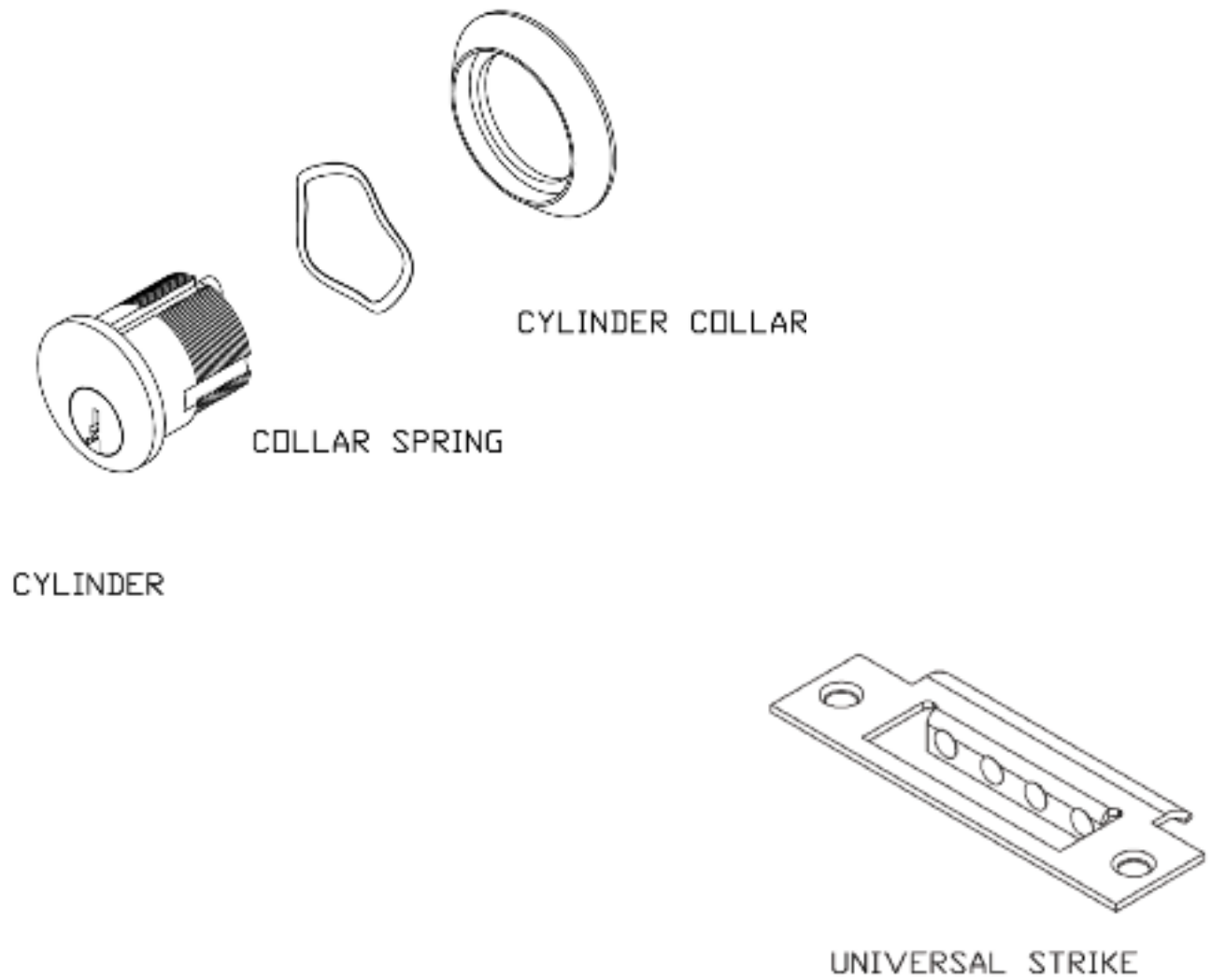


Classic Square

Faceplates



Cylinders & Strikes





Marshall Best Security Corporation

www.MarshallBestSecurity.com

10005 Cumberland Pointe Blvd. • Novlesville, Indiana 46060

317.806.1180 • F: 317.578.2901