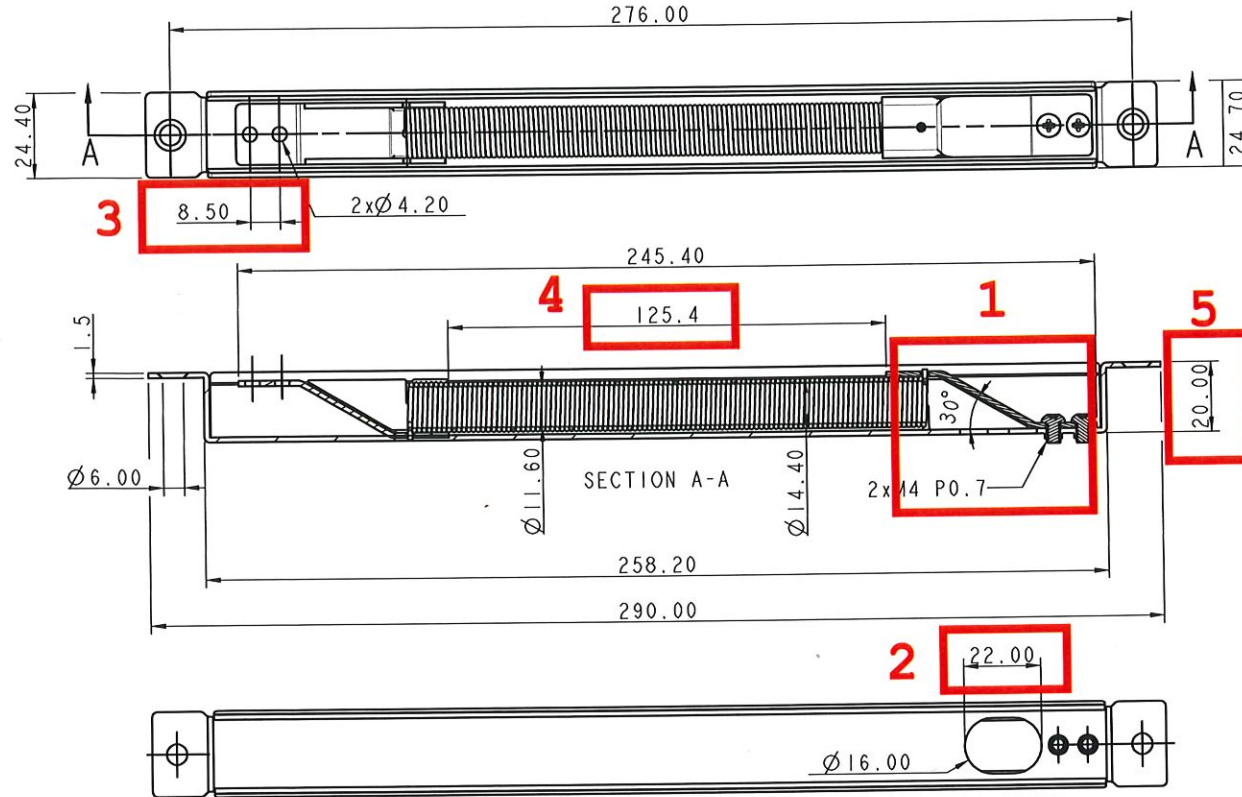
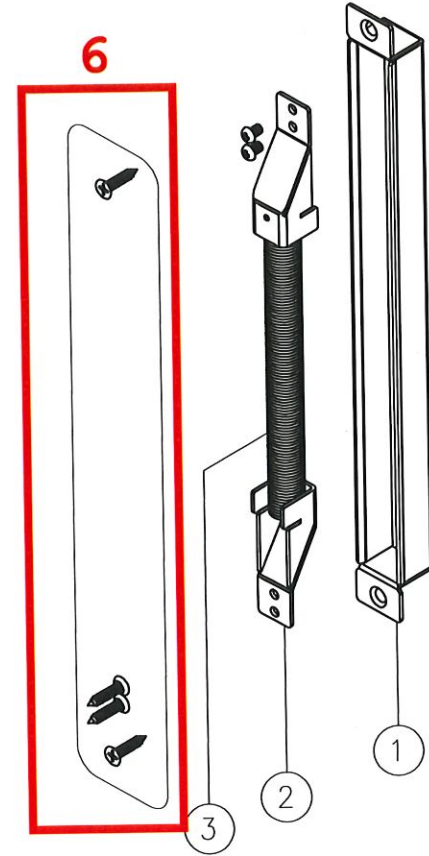


EPT-1(R2) POWER TRANSFER



OD: Ø14.4mm
ID: Ø11.6mm



ITEM	DESCRIPTION	MATERIAL	FINISHES
1	Transfer Case	SPHC	Nickel
2	Wire Outlet	SPHC	
3	Flexible Coil	Spring Steel	