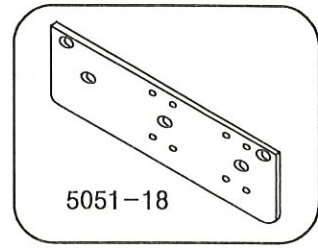
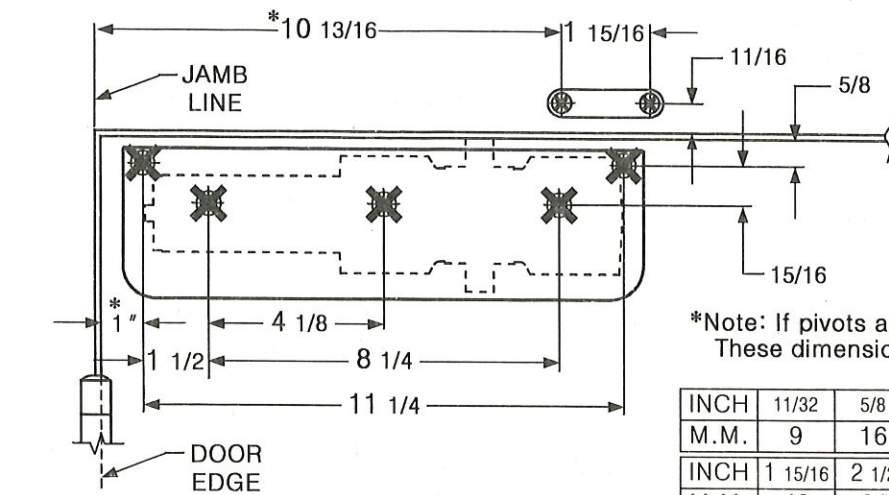


PULL SIDE (DOOR JAMB) DROP PLATE PERMITS 120° MAXIMUM OPENING

PULL SIDE MOUNT ON: 5051-18 DROP PLATE



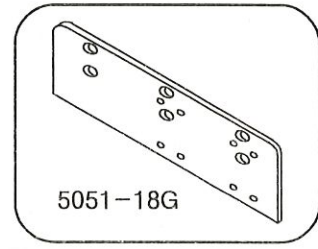
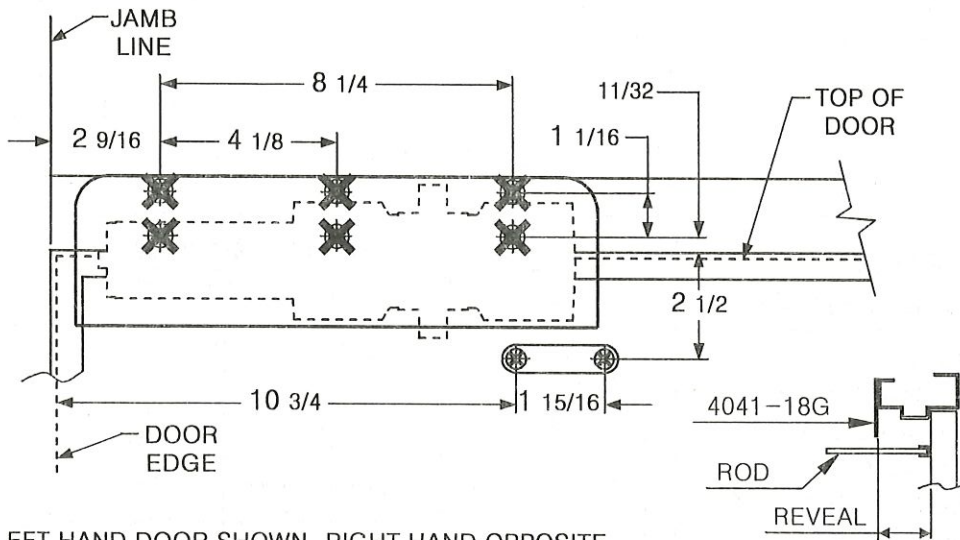
*Note: If pivots are used, Increase These dimensions by 1/8"

INCH	11/32	5/8	11/16	15/16	1	1 1/16	1 1/2	1 3/4
M.M.	9	16	17	24	25	27	38	44
INCH	1 15/16	2 1/2	2 9/16	4 1/8	8 1/4	10 3/4	10 13/16	11 1/4
M.M.	49	64	65	105	210	273	275	286

RIGHT HAND DOOR SHOWN, LEFT HAND OPPOSITE.

PUSH SIDE (TOP JAMB) DROP PLATE PERMITS 120° MAXIMUM OPENING

PUSH SIDE MOUNT ON: 5051-18G DROP PLATE

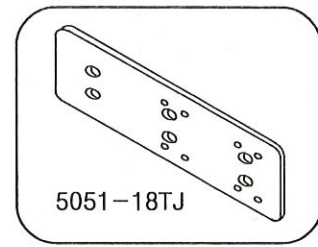
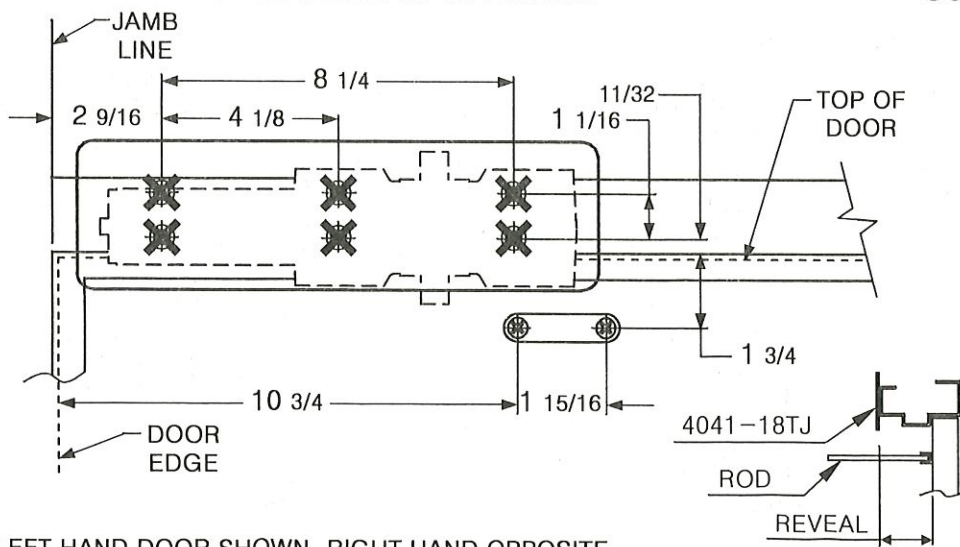


MAXIMUM REVEAL OF 2 9/16, FOR REVEALS 2 5/8 - 4 13/16 SPECIFY LONG ROD FOR REVEALS 8" SPECIFY EXTRA LONG ROD

LEFT HAND DOOR SHOWN, RIGHT HAND OPPOSITE.

PUSH SIDE (TOP JAMB) DROP PLATE PERMITS 120° MAXIMUM OPENING

PUSH SIDE MOUNT ON: 5051-18TJ DROP PLATE

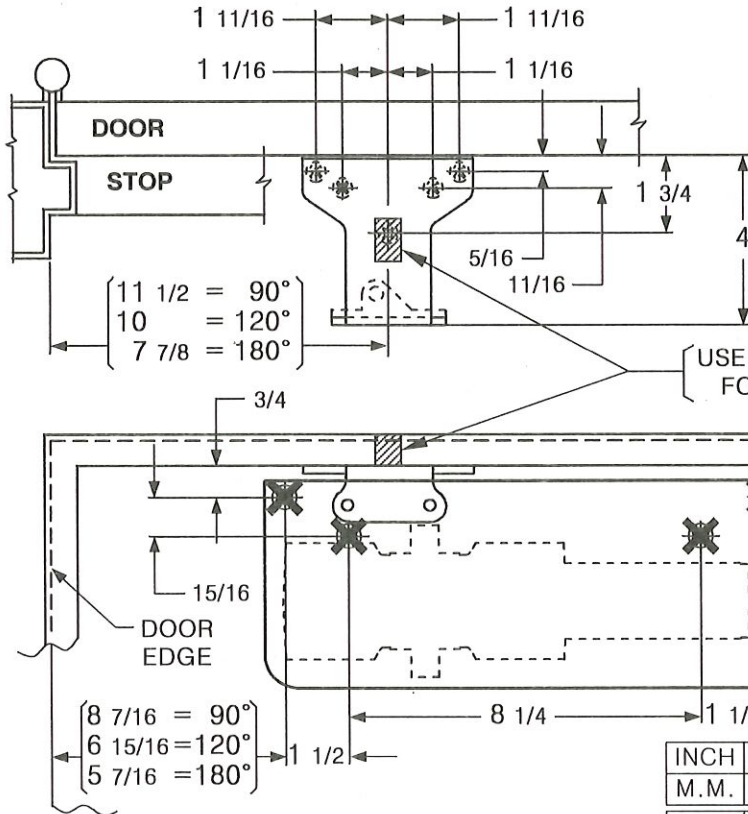


MAXIMUM REVEAL OF 2 9/16, FOR REVEALS 2 5/8 - 4 13/16 SPECIFY LONG ROD FOR REVEALS 8" SPECIFY EXTRA LONG ROD

LEFT HAND DOOR SHOWN, RIGHT HAND OPPOSITE.

PUSH SIDE (DOOR MOUNT) DROP PLATE PERMITS 180° MAXIMUM OPENING

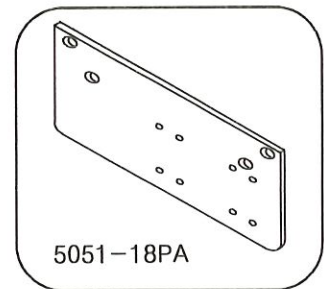
PUSH SIDE MOUNT ON: 5051-18PA DROP PLATE



IMPORTANT
Before installing, turn back check selector valve clockwise all the way in (valve can be found on opposite side of closer from back check screw side).

IMPORTANT

USE SPACER BLOCK (OPTION) PROVIDED FOR FIFTH SCREW. 1/2 OR 5/8



INCH	5/16	11/16	3/4	15/16	1 1/16	1 1/2	1 11/16	1 3/4
M.M.	8	17	19	24	27	38	43	44
INCH	4	5 7/16	6 15/16	7 7/8	8 1/4	8 7/16	10	11 1/2
M.M.	102	138	176	200	210	214	254	292

LEFT HAND DOOR SHOWN, RIGHT HAND OPPOSITE.

↻ C.W. = CLOCKWISE(+)
↺ C.C.W. = COUNTER CLOCKWISE(-)

PLEASE NOTE
TURNS REQUIRED ARE APPROXIMATE BECAUSE OF VARIOUS DOOR CONDITIONS AND LOCATIONS. YOU MAY HAVE TO FURTHER ADJUST SPRING TENSION TO SUIT YOUR REQUIREMENTS.

GRÁFICO DEL AJUSTE DE FUERZA

TAMAÑO DEL CIERRE AUTOMÁTICO DE PUERTA	VUELTAS COMPLETAS DEL TORNILLO DE REGLAJE DE LA ENERGÍA		ANCHO CORRESPONDIENTE DE HOJA DE PUERTA		PESO DE PUERTA CORRESPONDIENTE
	QDC-100 QDC-100DA	QDC-100BF QDC-100BF.DA	INTERIOR	EXTEIOR (Pivotar hacia afuera)	
SIN BARRERAS	-	- 14	5 lb-f	-	-
1	- 7	- 12	32" (0.81m)	28" (0.71m)	33-66LBS (16-30Kg)
2	- 4	- 8	36" (0.91m)	32" (1.81m)	66-99LBS (30-46Kg)
3	0 (PREAJUSTADO)	0 (PREAJUSTADO)	42" (1.07m)	36" (0.91m)	99-143LBS (46-66Kg)
4	+ 5	+ 4	48" (1.22m)	42" (1.07m)	143-187LBS (66-86Kg)
6	+ 10	-	54" (1.37m)	48" (1.22m)	187-264LBS (86-120Kg)
6	+ 15	-	56" (1.47m)	54" (1.37m)	264-330LBS (120-160Kg)

SWING SPEED VALVE

DELAY SPEED VALVE (OPTION)

BACKCHECK SELECTOR VALVE

LATCH SPEED VALVE

BACK CHECK VALVE

C.C.W.

+ C.W.

Spring Power Adjustment

L : Latch Speed Valve
S : Swing Speed Valve
DA : Delay Speed Valve
BC : Back Check Valve

