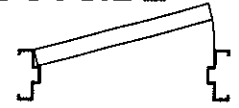


500 SERIES TEMPLATE "B"

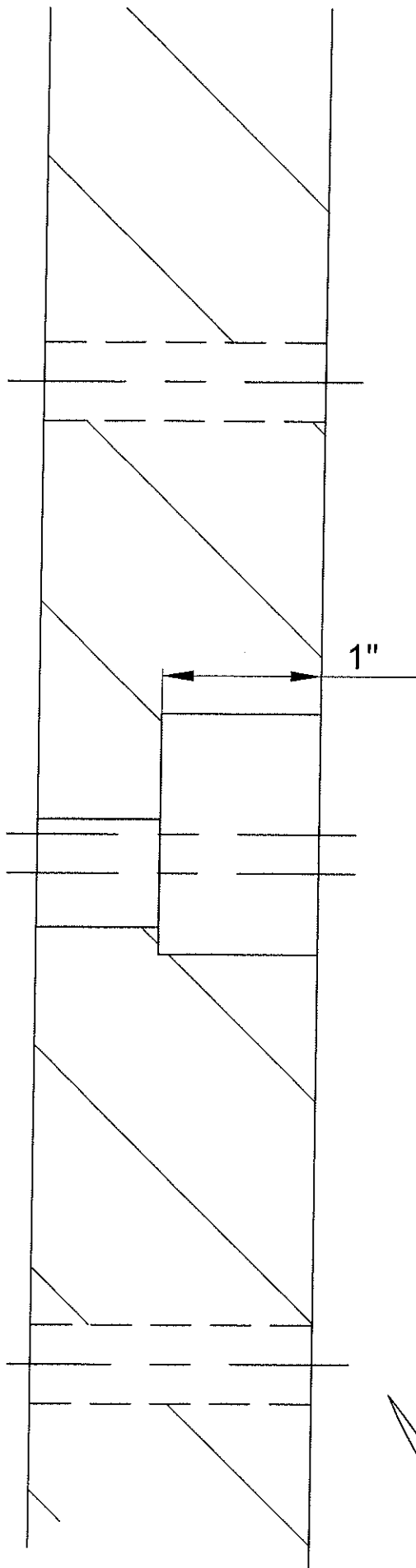
Application Trim No.

502,503R,509R,512R,514,516

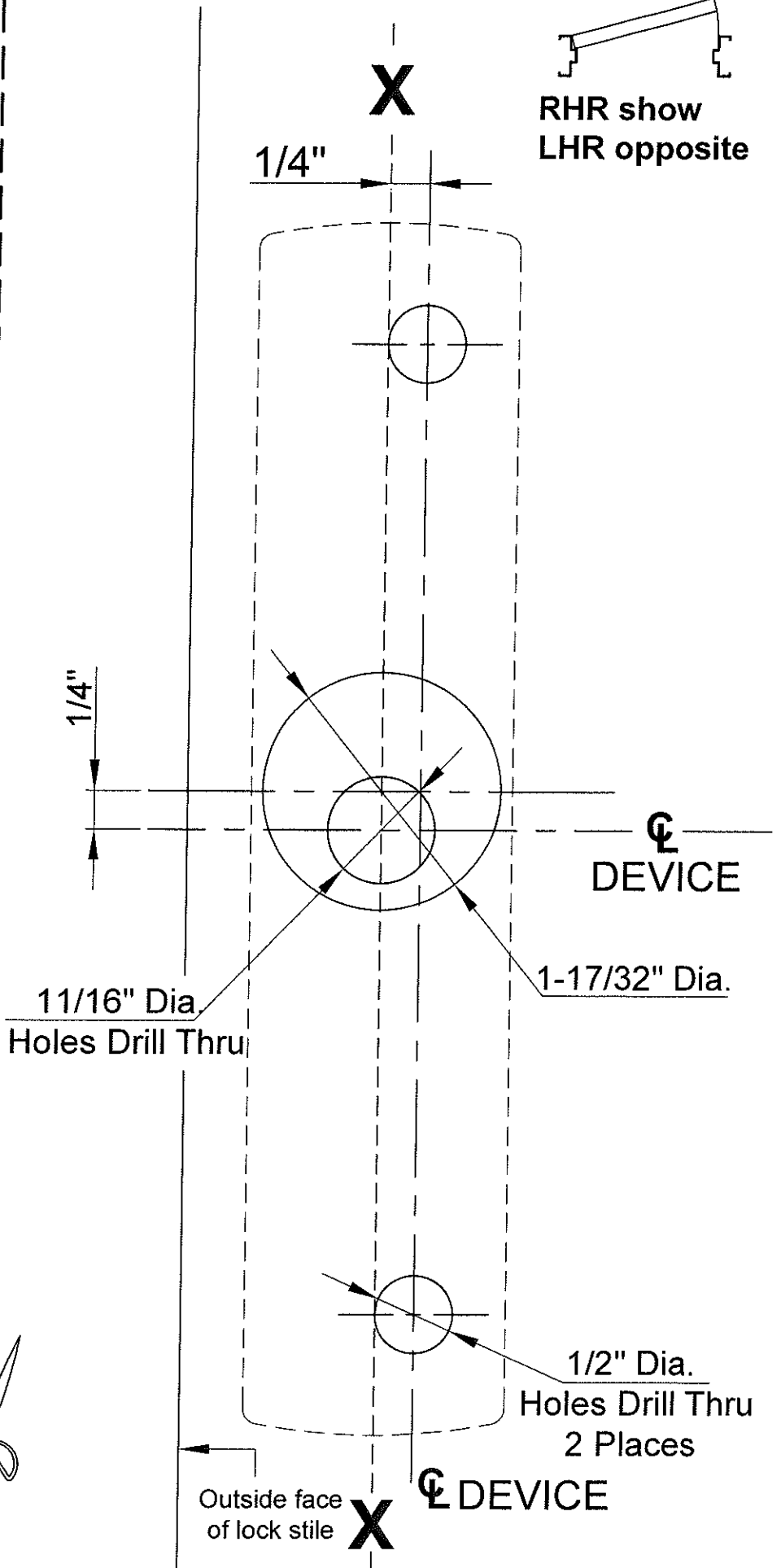
OUTSIDE



RHR show
LHR opposite



1"



X

1/4"

1/4"

☉
DEVICE

11/16" Dia.

Holes Drill Thru

1-17/32" Dia.

1/2" Dia.

Holes Drill Thru
2 Places

Outside face
of lock stile

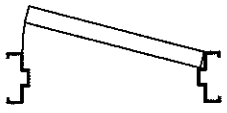
X

☉ DEVICE

500 SERIES TEMPLATE " B"

Application Trim No.
502,503R,509R,512R,514,516

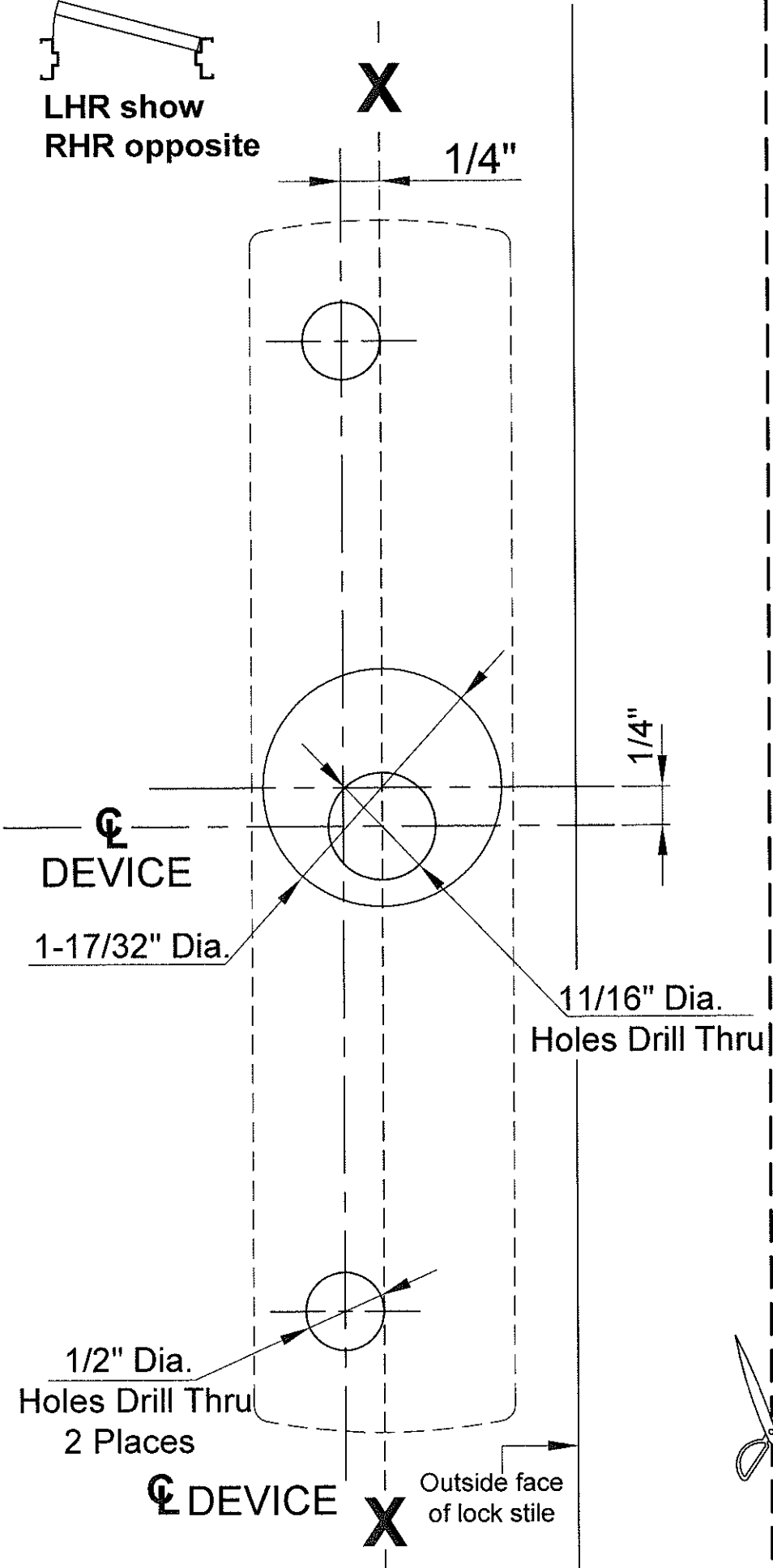
OUTSIDE



LHR show
RHR opposite

X

1/4"



DEVICE

1-17/32" Dia.

1/4"

11/16" Dia.
Holes Drill Thru

1/2" Dia.
Holes Drill Thru
2 Places

DEVICE

Outside face
of lock stile

