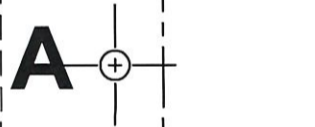
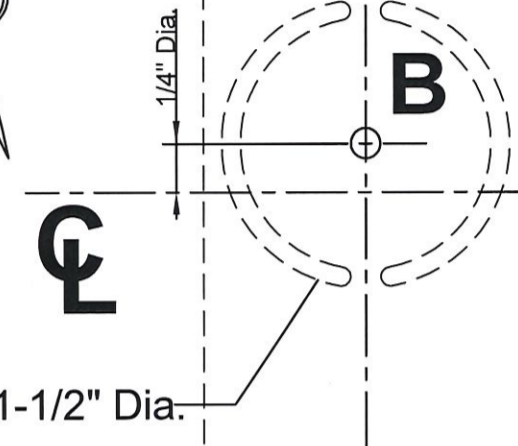
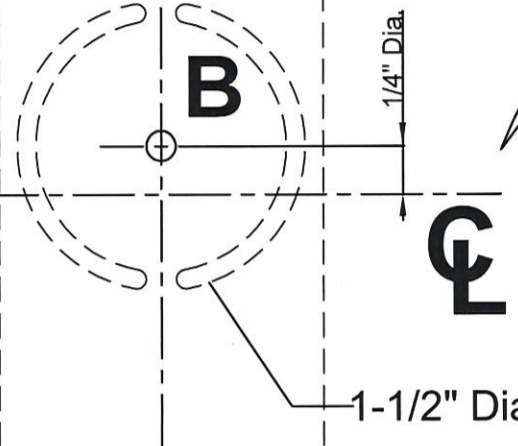
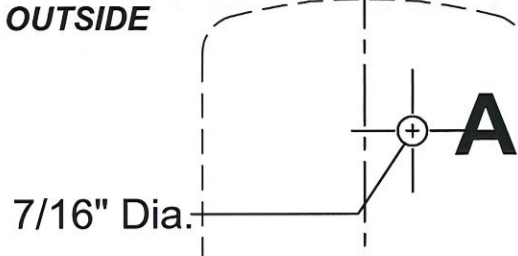
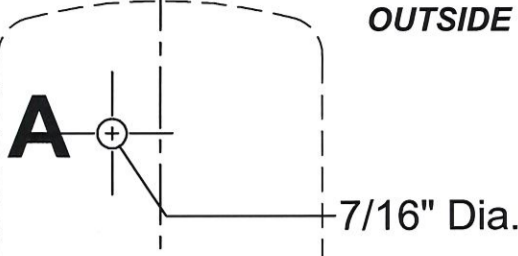
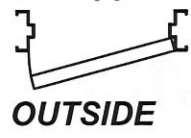
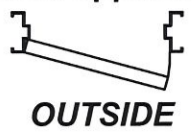


LHR show  
RHR opposite

RHR show  
LHR opposite

**X**

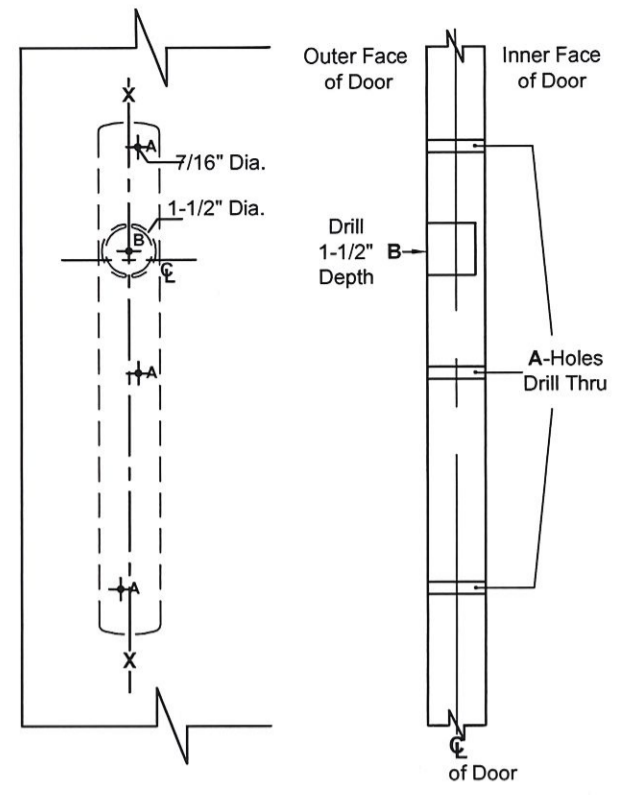
**X**



**X**

**X**

# DOOR PREPARATION



## FOR RIM AND VERTICAL ROD APPLICATION

CUT OUT ILLUSTRATION			
TRIM DESCRIPTION	401	402	403
FUNCTION	01	02	03
PREPARATION	A	A	A+B