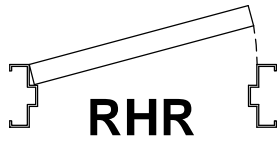


# 2100 2200 2500 DEVICE TEMPLATE



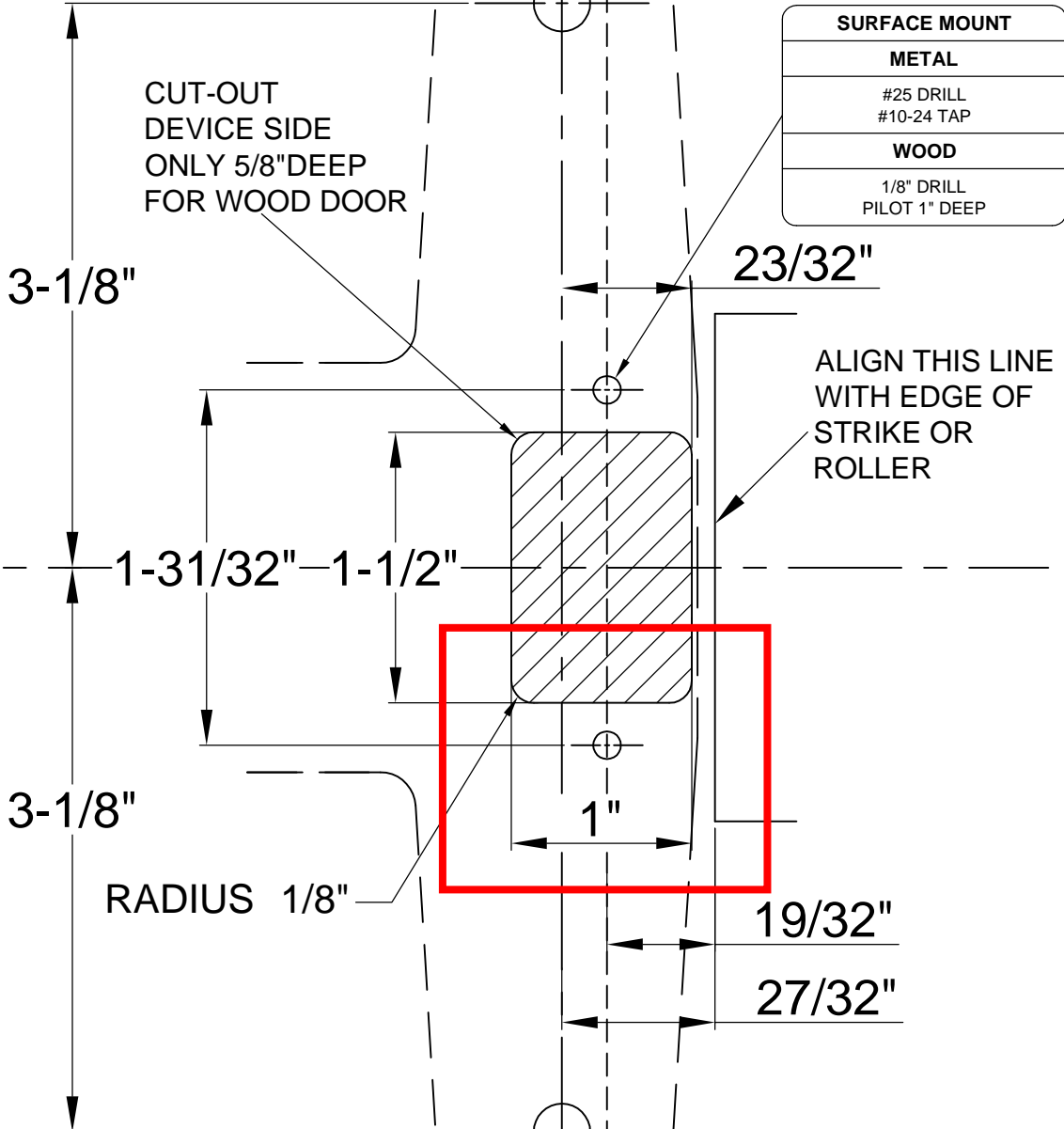
☑ DEVICE

LINE X-X IS A REFERENCE LINE FOR TRIM AND EXIT DEVICE ALIGNMENT. LINE X-X SHOWN HERE SHOULD CORRESPOND TO LINE X-X IN THE TRIM INSTALLATION INSTRUCTIONS

1/4"

### CENTER CASE - 2 HOLES

SURFACE MOUNT	
<b>METAL</b>	
#25 DRILL	#10-24 TAP
<b>WOOD</b>	
1/8" DRILL	PILOT 1" DEEP



### CENTER CASE - 2 HOLES

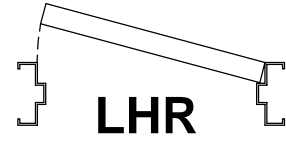
SURFACE MOUNT	SEX BOLTS OR TRIM
<b>METAL</b>	<b>METAL</b>
#7 DRILL #1/4"-20 TAP	5/16" DRILL INSIDE 13/32" DRILL (SEX BOLTS) 1/2" DRILL OUTSIDE (TRIM)
	<b>WOOD</b>
	13/32" DRILL THRU (SEX BOLTS) 1/2" DRILL THRU (TRIM)

# 2100 2200 2500 DEVICE TEMPLATE

LINE X-X IS A REFERENCE LINE FOR TRIM AND EXIT DEVICE ALIGNMENT. LINE X-X SHOWN HERE SHOULD CORRESPOND TO LINE X-X IN THE TRIM INSTALLATION INSTRUCTIONS

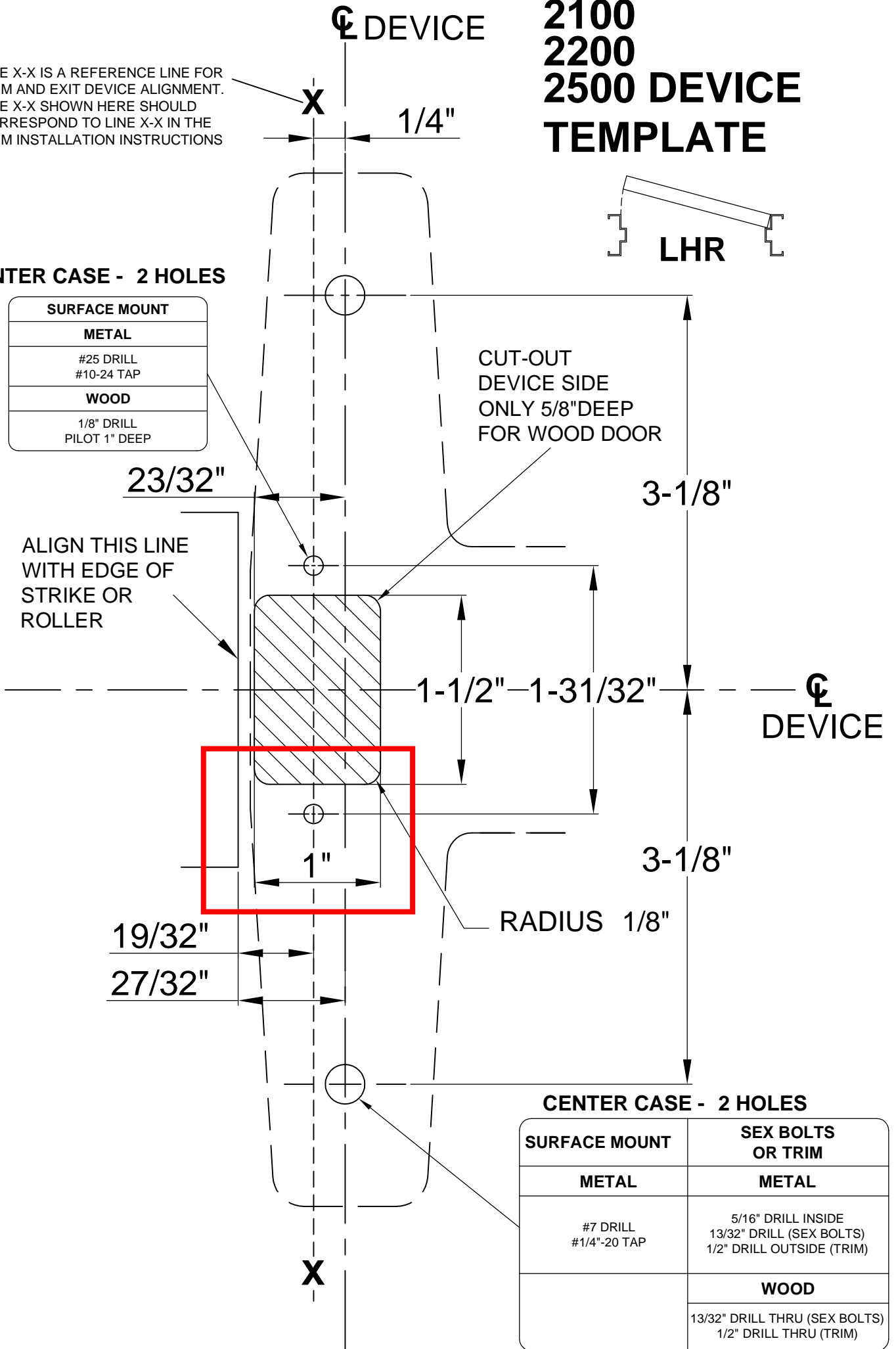
## CENTER CASE - 2 HOLES

SURFACE MOUNT	
<b>METAL</b>	
#25 DRILL	#10-24 TAP
<b>WOOD</b>	
1/8" DRILL	PILOT 1" DEEP



ALIGN THIS LINE WITH EDGE OF STRIKE OR ROLLER

CUT-OUT DEVICE SIDE ONLY 5/8" DEEP FOR WOOD DOOR



CENTER CASE - 2 HOLES	
<b>SURFACE MOUNT</b>	<b>SEX BOLTS OR TRIM</b>
<b>METAL</b>	<b>METAL</b>
#7 DRILL #1/4"-20 TAP	5/16" DRILL INSIDE 13/32" DRILL (SEX BOLTS) 1/2" DRILL OUTSIDE (TRIM)
	<b>WOOD</b>
	13/32" DRILL THRU (SEX BOLTS) 1/2" DRILL THRU (TRIM)