

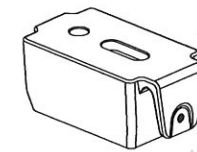
# REMOVABLE MULLIONS

## 1000 Series Mullion INSTALLATION INSTRUCTIONS

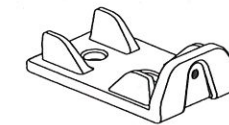
This kit includes the following parts



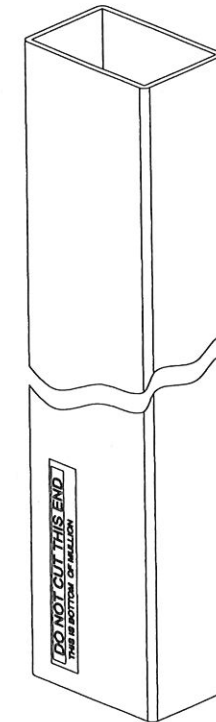
Top Mullion Fitting Shim



Top Mullion Fitting



Bottom Mullion Fitting



Mullion Body

### Screws Chart



Phillips Pan Head Machine Screw  
5/16-18 x 1-1/4"



Expansion Anchor

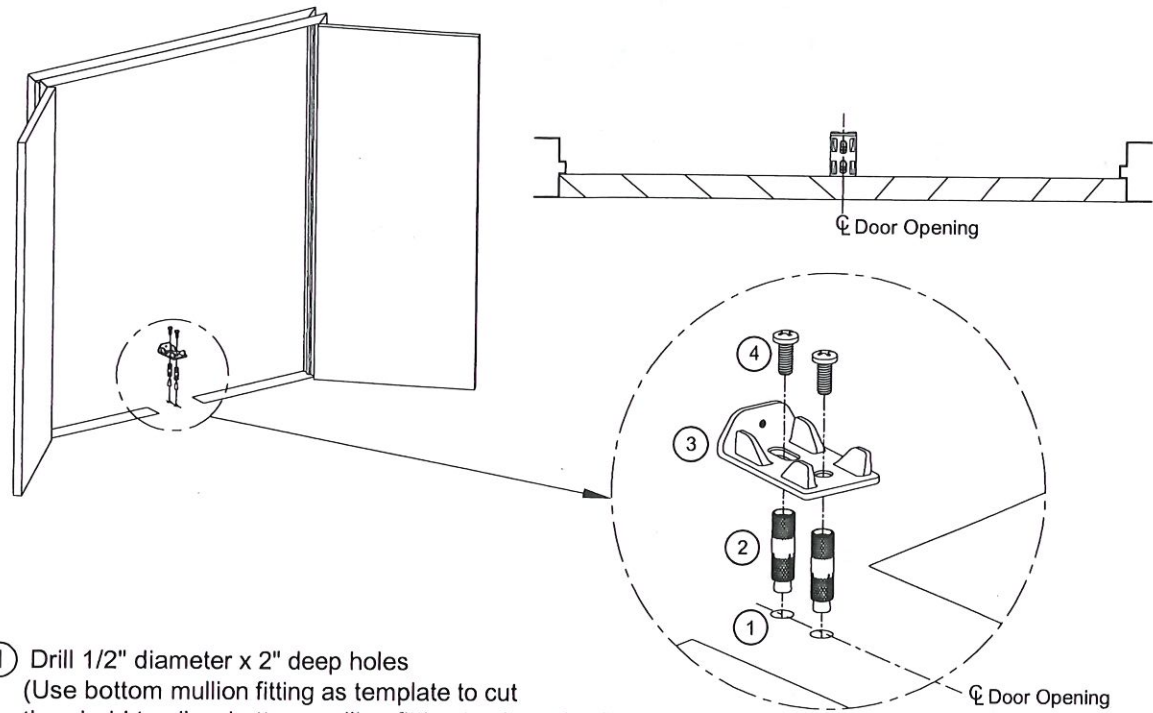


Phillips Pan Head Machine Screw  
8-32 x 1/4"

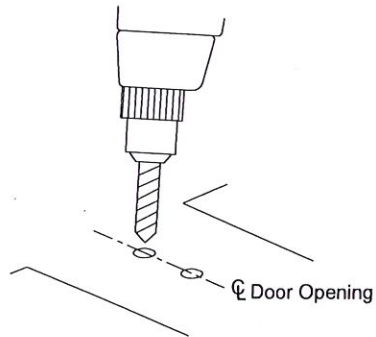


Phillips Pan Head Machine Screw  
5/16-18 x 3/4"

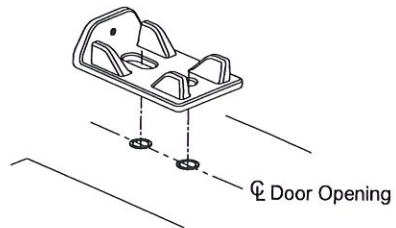
# 1. Install bottom mullion fitting.



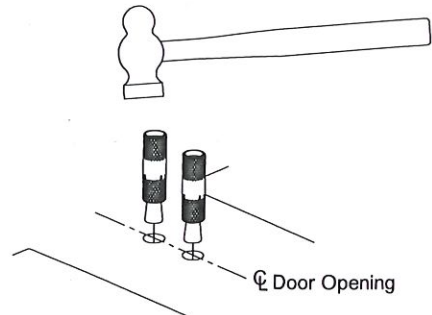
- ① Drill 1/2" diameter x 2" deep holes  
(Use bottom mullion fitting as template to cut threshold to allow bottom mullion fitting to sit on the floor)



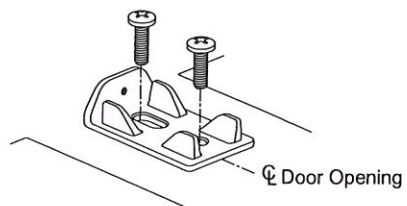
- ③ Position bottom mullion fitting.



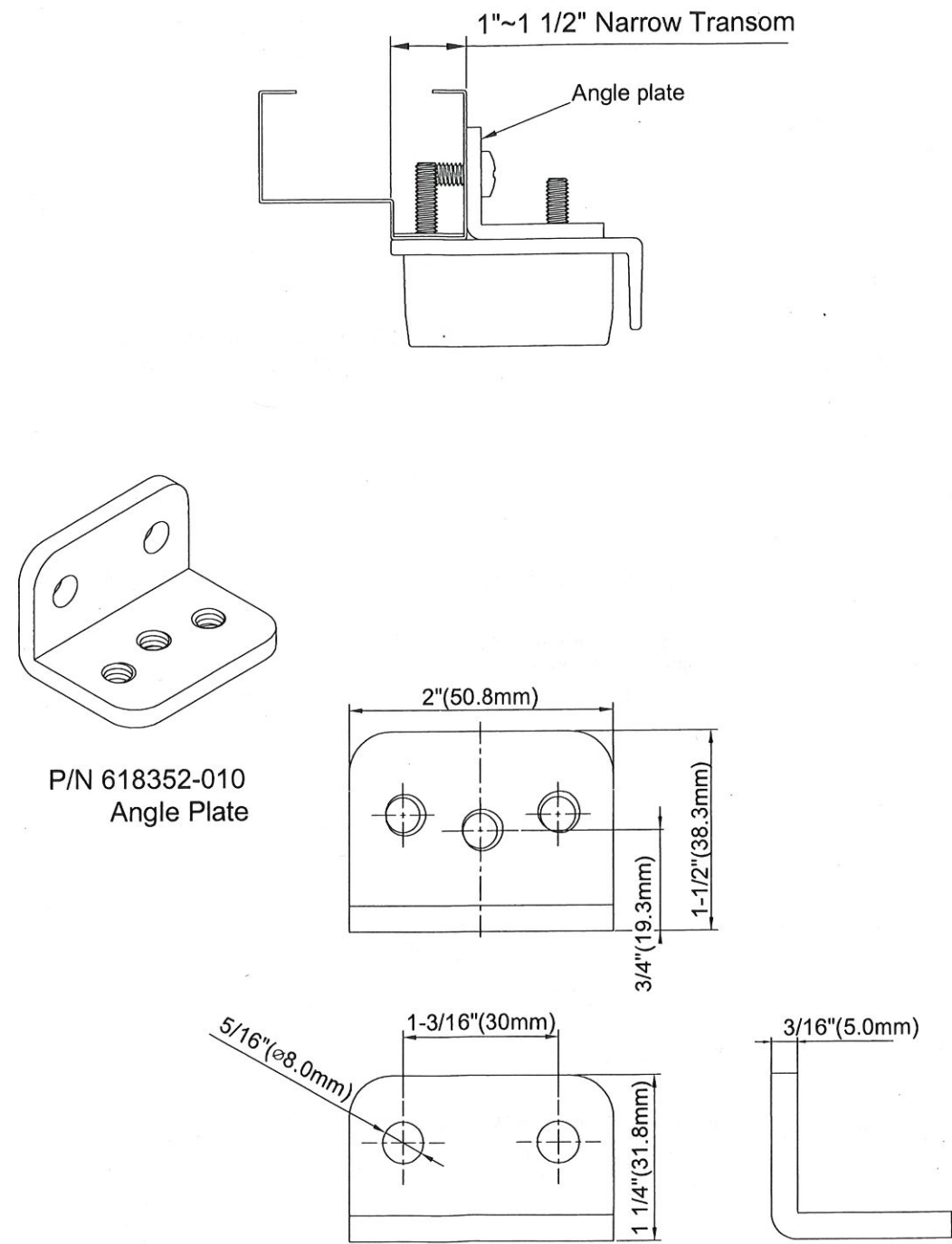
- ② With a hammer, install expansion anchors until flush with floor.



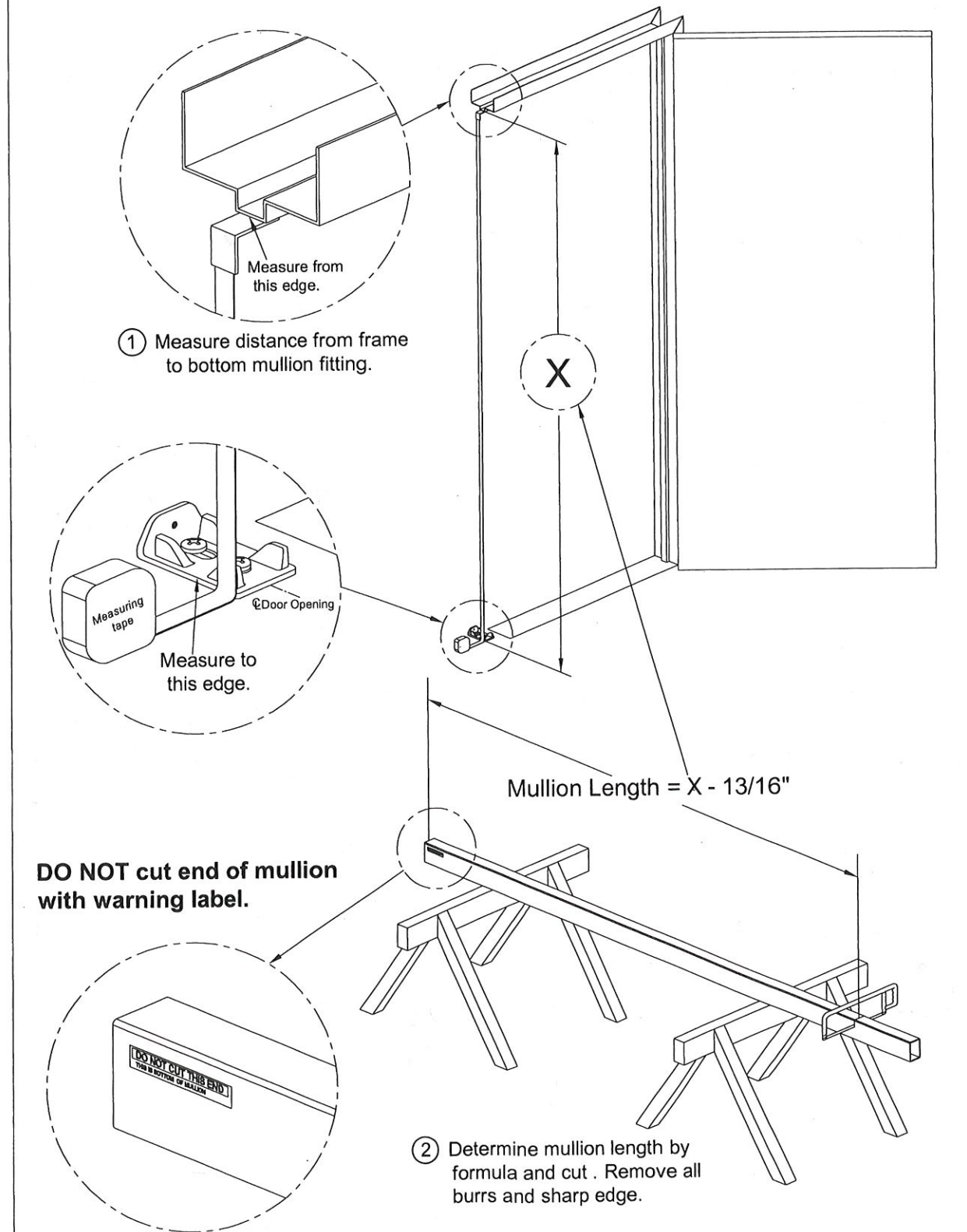
- ④ Install screws.  
(Phillips Pan Head Machine Screw 5/16-18 x 3/4")



## Dimension of angle plate

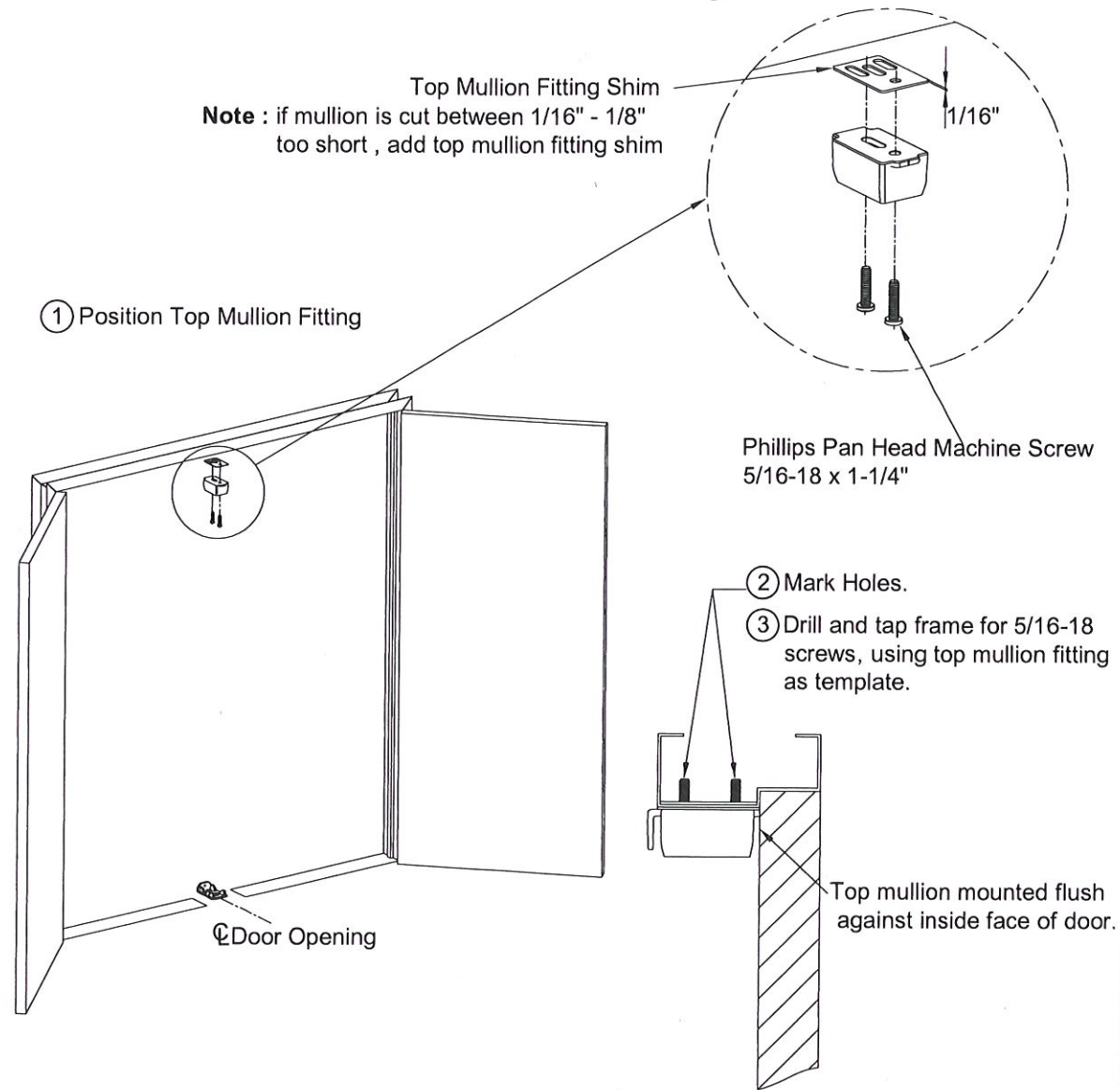


## 2. Size mullion.

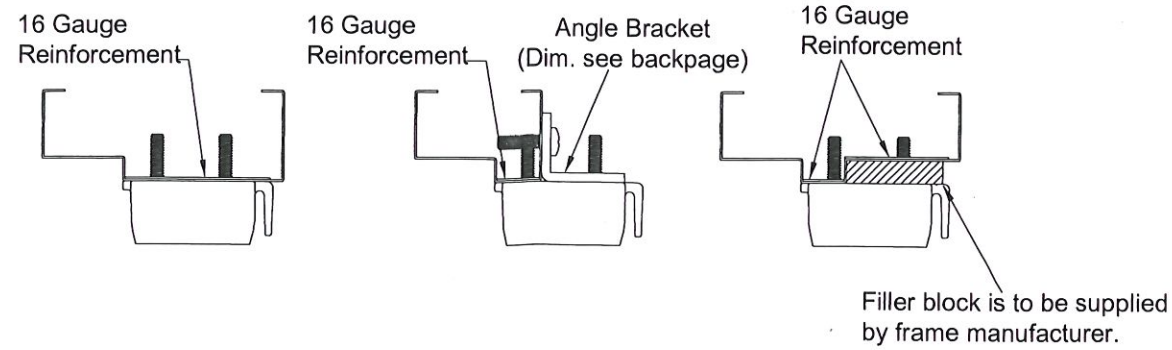




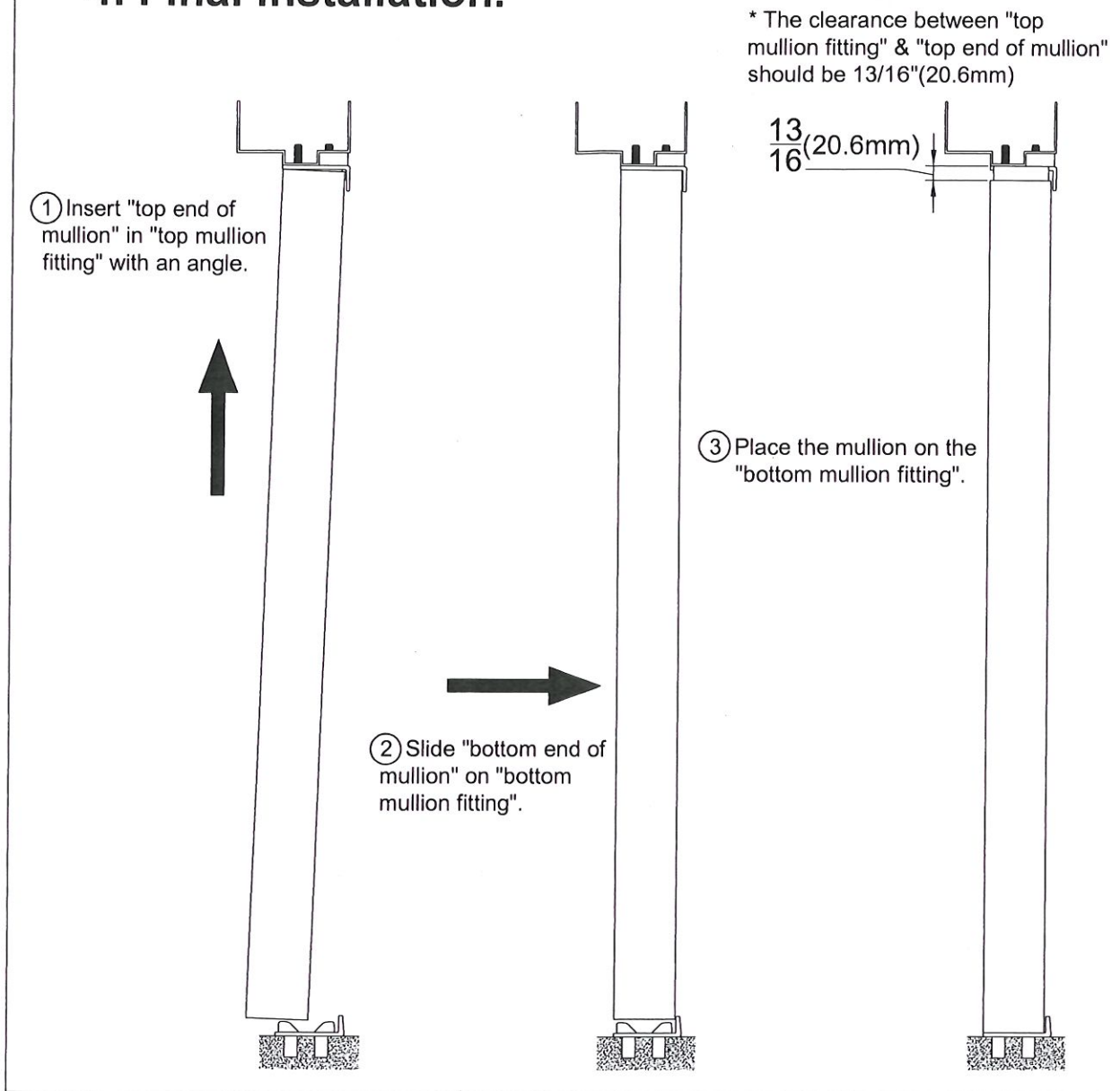
### 3. Install top mullion fitting.



#### Mounting Top mullion fitting on optional frame styles:



### 4. Final installation.



### 5. Install set screws.

