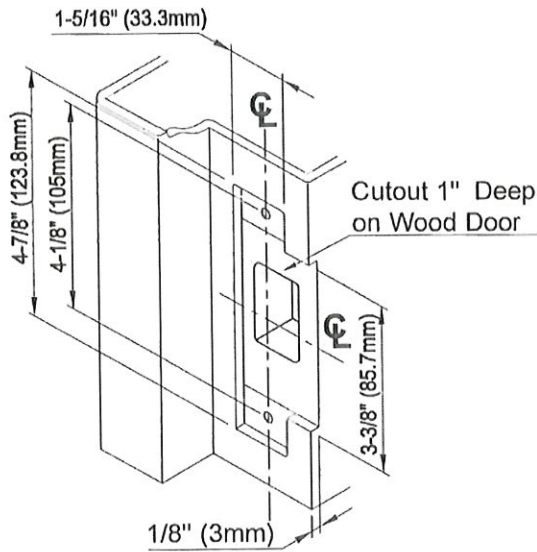




Template

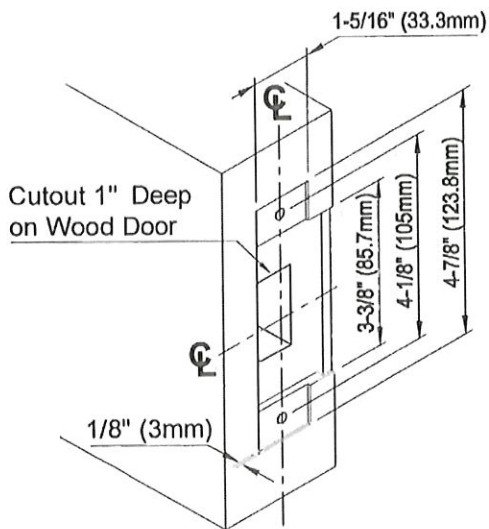
Preparation of Strike for Mortise Lock

306 STRIKE

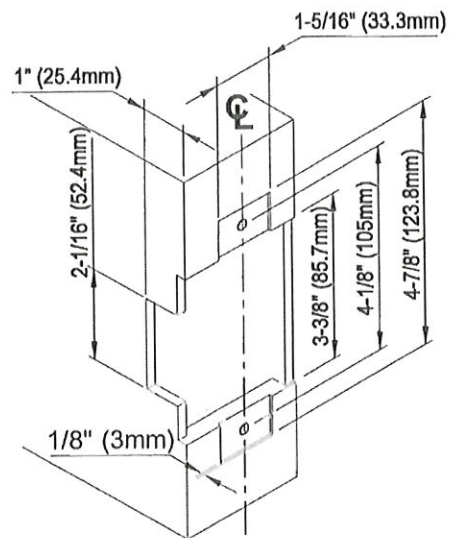


SINGLE DOOR

306/336 STRIKE



337/338 OPEN BACK STRIKE



DOUBLE DOOR

ILL.	APPLICATIONS	DIMENSION	
		METAL	WOOD
○	STRIKE SCREWS	#16 DRILL #12-24 TAP	4 (5/32") DRILL PILOT 1" DEEP