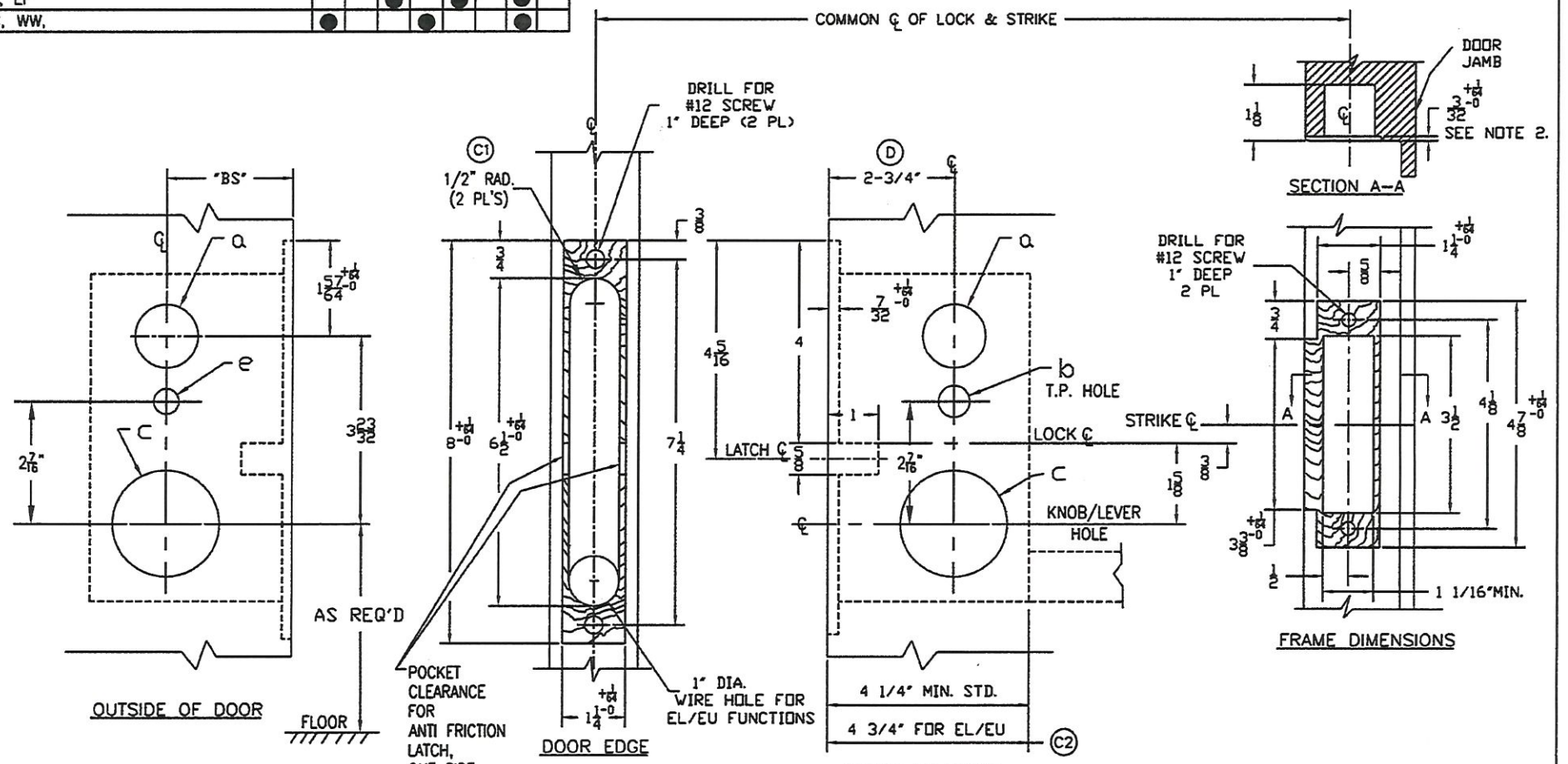


FUNCTIONS	HOLES REQUIRED						
	OUTSIDE OF DOOR			INSIDE OF DOOR			THRU
	HOLE	a	b	e	a	b	
	DIA.	1/4	5/8	1/2	1/4	5/8	2 1/8
E, EW, J, EL/EU,		●					●
N,							●
A, B, BW, F, FD, FS, FW, H,		●			●		●
L, LF				●		●	●
C, WW,		●			●		●

DATE	REV.	DESCRIPTION	AUTH.	DR.
5/28/14	B	ADDED 2 1/8 DIA. HOLES AND UPDATED DRAWING	E.B.	E.B.
9/04/15	C	C1 WAS 0.250 RAD., C2 ADDED DIM.,	E.B.	E.B.
6/29/16	D	REMOVED BACKSET TABLE	G.M.	L.M.



**NOTES:**  
 1. CONSULT FACTORY TO ENSURE TEMPLATE IS LATEST REVISION.  
 2. ADD 1/64" WHEN DUST BOX IS USED.

POCKET CLEARANCE FOR ANTI FRICTION LATCH, ONE SIDE ONLY, AS REQUIRED

LOCKSET SERIES
MLR - LEVER
MKR - KNOB

TOLERANCES (EXCEPT AS NOTED)		<b>Marshall Best Security</b>	
DECIMAL	±.005	SCALE	1:2
FRACTIONAL	±1/64"	DRAWN BY:	E.B.
ANGULAR	±1°	CHECKED BY:	
TITLE		INSTALLATION TEMPLATE, WOOD DOOR WITH STANDARD LOCK FRONT	
DATE	09/07/12	DWG. SIZE:	B
DRAWING NUMBER		MLR/ MKR	
REV.		D	