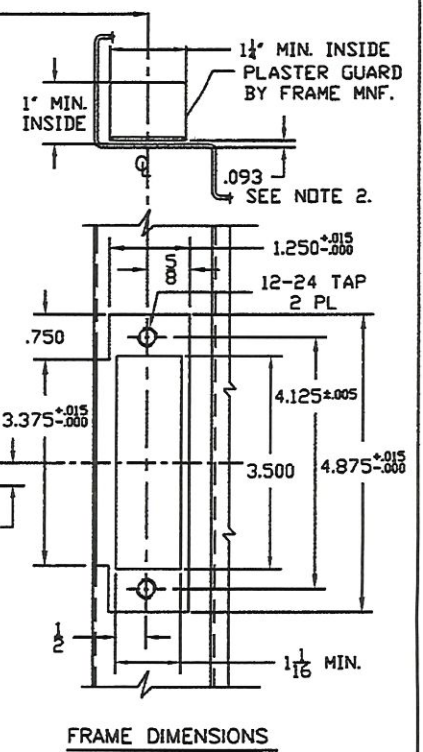
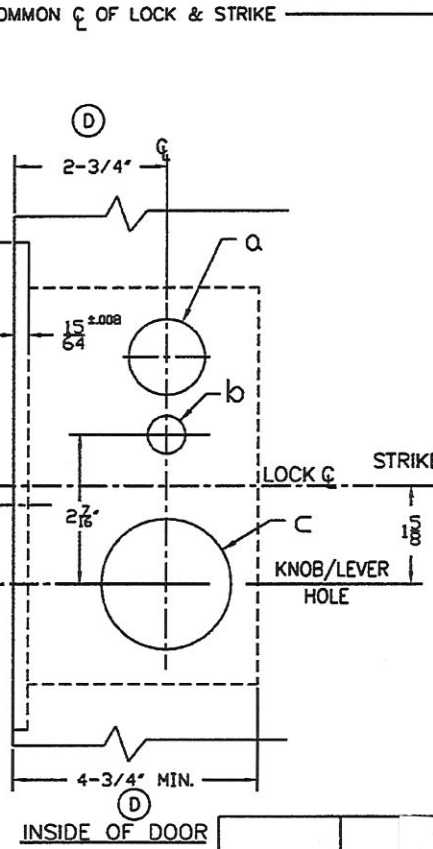
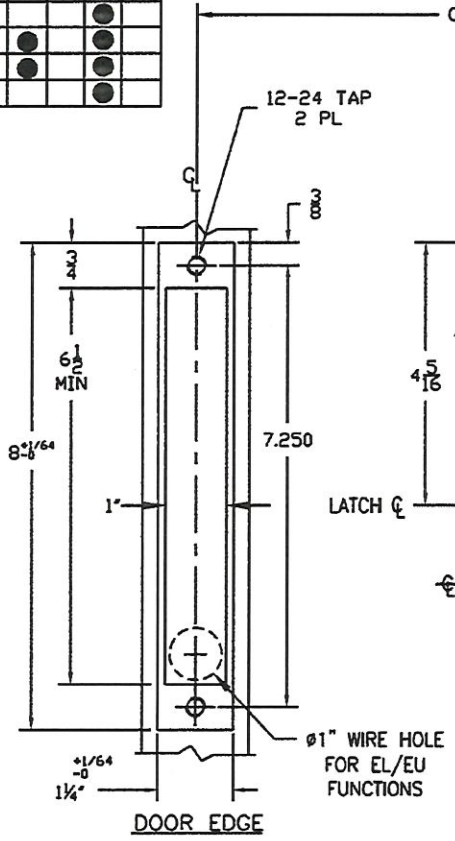
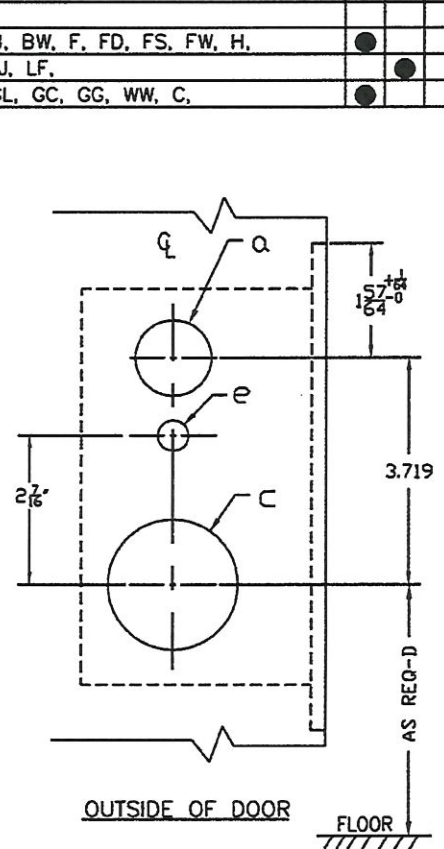


FUNCTIONS	HOLES REQUIRED				
	OUTSIDE OF DOOR		INSIDE OF DOOR		THRU
	a	e	a	b	c
HOLE DIA.	1 1/4	1/2	1 1/4	5/8	2 1/8
E, EW, J, EL/EU,	●				●
N,					●
A, B, BW, F, FD, FS, FW, H,	●			●	●
L, LJ, LF,		●		●	●
G, GL, GC, GG, WW, C,	●		●		●

DATE	REV.	DESCRIPTION	AUTH.	DR.
05/01/14	B	ADDED FUNCTIONS AND UPDATED.	E.B.	E.B.
05/28/14	C	ADDED 2 1/8 DIA. HOLES AND UPDATED DRAWING	E.B.	E.B.
06/29/16	D	REMOVED BACKSET / MIN DEPTH TABLE	G.M.	L.M.



**NOTES:**  
 1. CONSULT FACTORY TO ENSURE TEMPLATE IS LATEST REVISION.  
 2. ADD 1/64" WHEN DUST BOX IS USED.

LOCK CASE SUPPORT IS REQUIRED FROM DOOR MANUFACTURER  
 SAME TEMPLATE WILL APPLY FOR EU, EURX OPTIONS FOR REQUIRED FUNCTION.

LOCKSET SERIES
MLR - LEVER
MKR - KNOB

<b>Marshall Best Security</b>			
TOLERANCES EXCEPT AS NOTED	SCALE	DRAWN BY: E.B.	
DECIMAL ±.005	1:2	CHECKED BY:	
FRACTIONAL ±1/64"		APPROVED BY:	
ANGULAR ±1°	DATE 09/07/12	DWG. SIZE: B	DRAWING NUMBER MLR/ MKR
TITLE INSTALLATION TEMPLATE, STEEL DOOR WITH STANDARD LOCK FRONT			REV. D