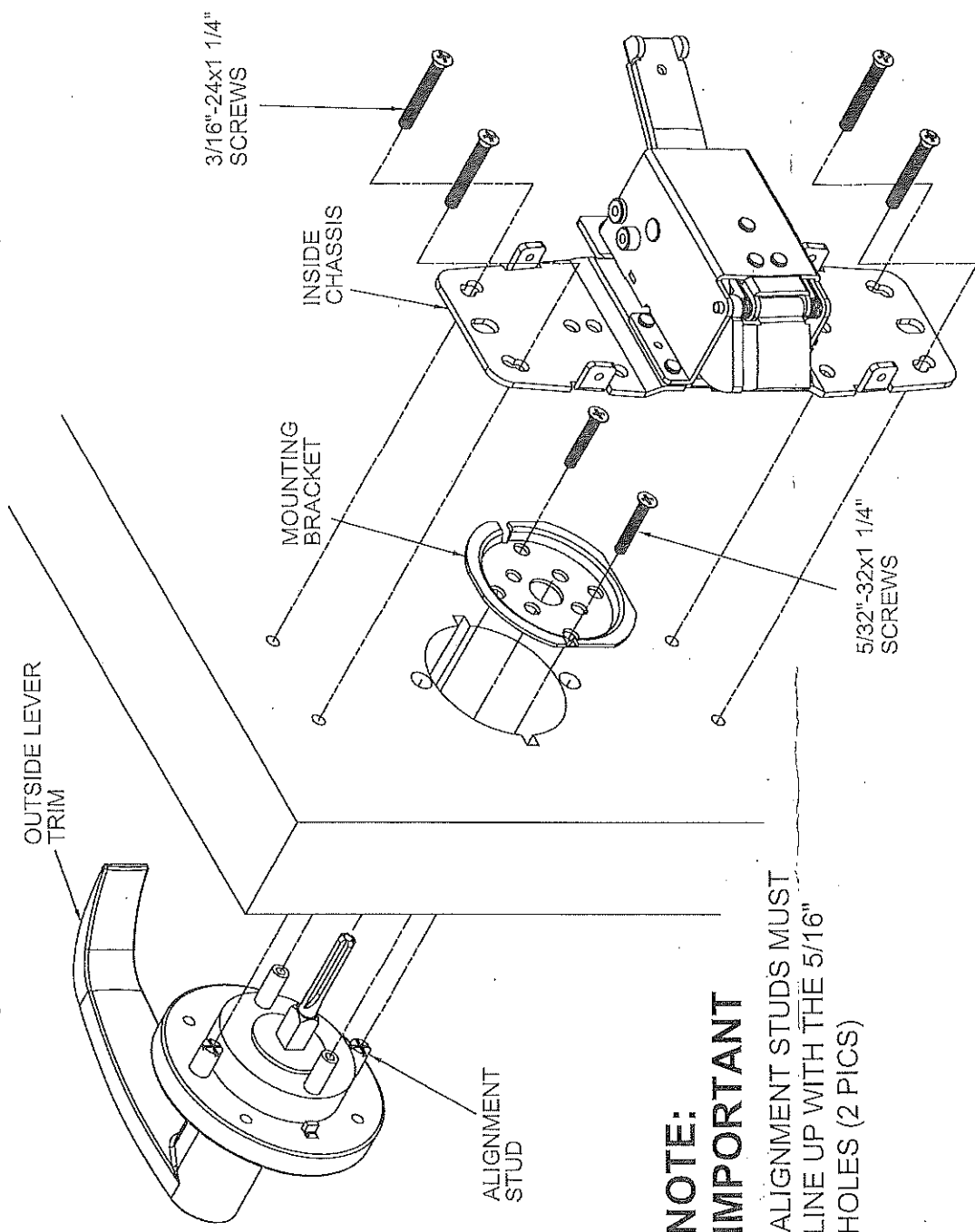


INSTALLATION INSTRUCTIONS FOR 5500L TRIM

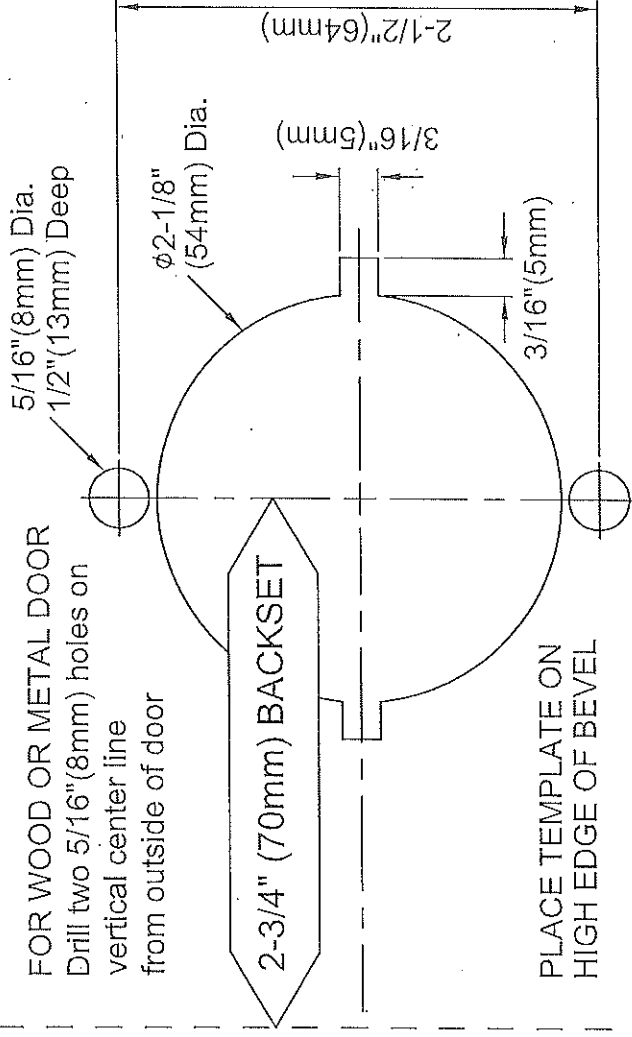


**NOTE:
IMPORTANT**

ALIGNMENT STUDS MUST
LINE UP WITH THE 5/16"
HOLES (2 PICS)

TEMPLATE

FOLD AND ALIGN TEMPLATE ON EDGE OF DOOR



FOR WOOD OR METAL DOOR
Drill two 5/16\"(8mm) holes on
vertical center line
from outside of door

2-3/4\" (70mm) BACKSET

PLACE TEMPLATE ON
HIGH EDGE OF BEVEL