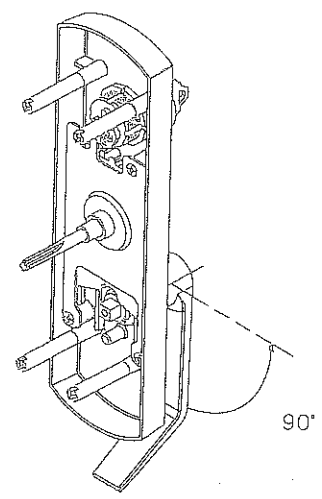


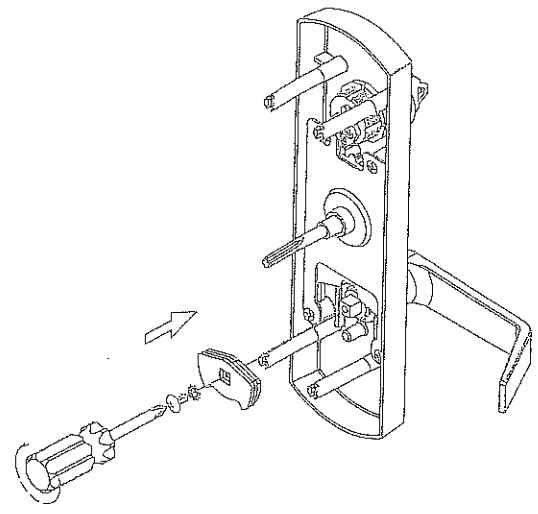
NESC Lever Trim For 5500 Series

Method of Changing Hand of Lever LHR (Reverse Step for RHR)

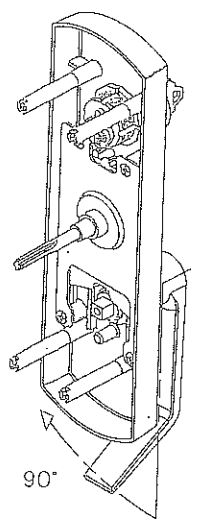
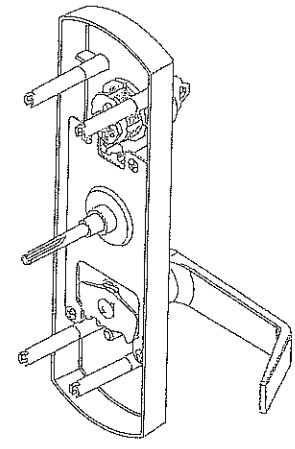
1. Rotate lever to LHR positioned at 90°



2. Place and fasten cam piece with locked type washer and screw

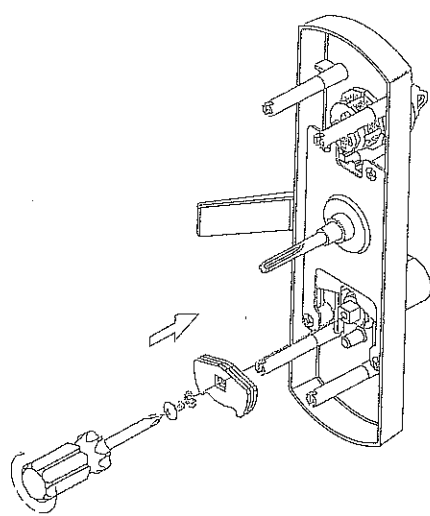


3. Done



1. Rotate lever to RHR positioned at 90°

2. Place and fasten cam piece with locked type washer and screw



3. Done

