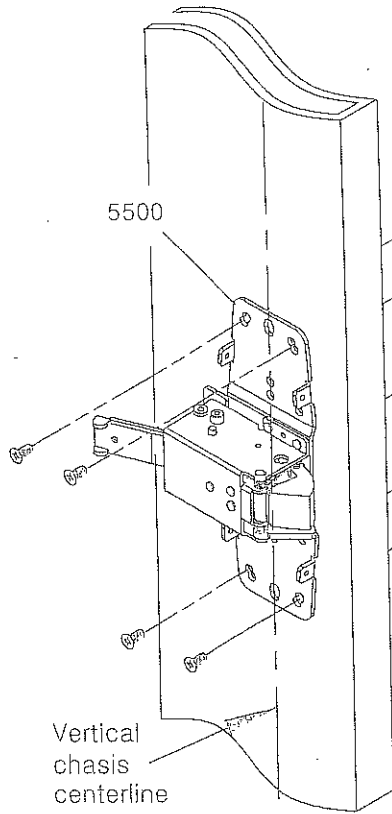


INSTRUCTIONS FOR NESC TRIM FOR 5500 SERIES EXIT DEVICE



	NESC-00	NESC-30	NESC-40	NESC-05
	<p>Lockable Nesc Lever Trim Key locks & Unlocks Lever</p>	<p>No Cyl, Trim Always Operable</p>	<p>Pull when Push bar locked down Dummy Nesc Lever Trim</p>	<p>Key unlock Nesc Lever, Key remained on Cyl unless Locked. Cyl Nesc Lever Trim</p>
	00 function Entrance	30 function Passage	40 function Dummy	05 function Storeroom
	Attach the collar and mortise cyl to the nesc case with mortise nut, attach case to door thru bolting (4) screws to the chasis, aligning spindle to hub	Attach nesc case to door thru bolting the (4) screws to the chasis, allaning spindle to hub of the Chasis	Attach the collar and dummy cyl to the nesc case with mortise nut, attach case to door thru bolting (4) screws to the chasis,	Attach the collar and mortise cyl to the nesc case with mortis nut, attach case to door thru bolting (4) screws to the chasis, aligning sprindile to hu