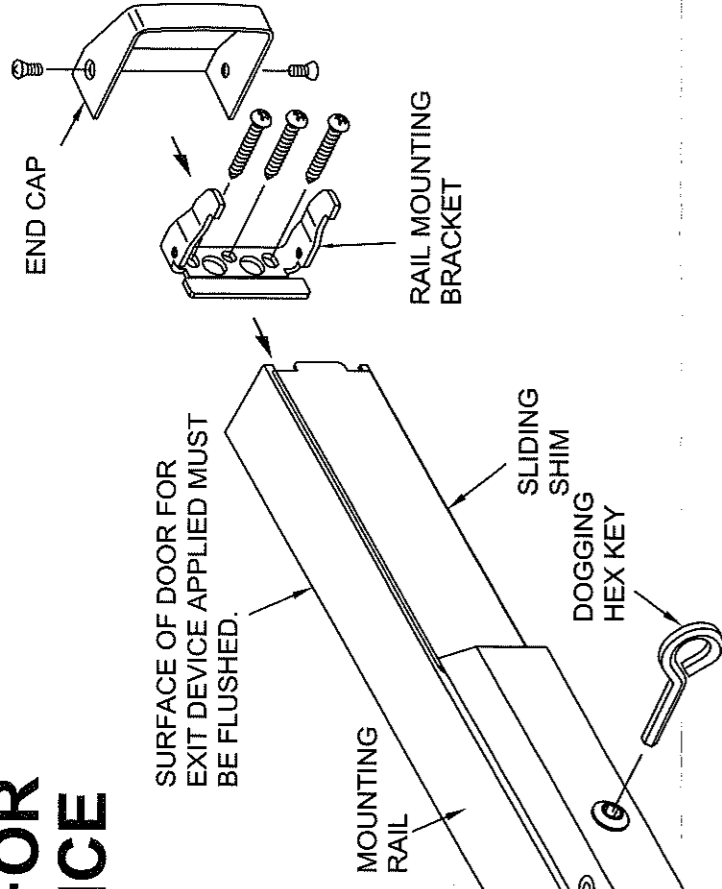
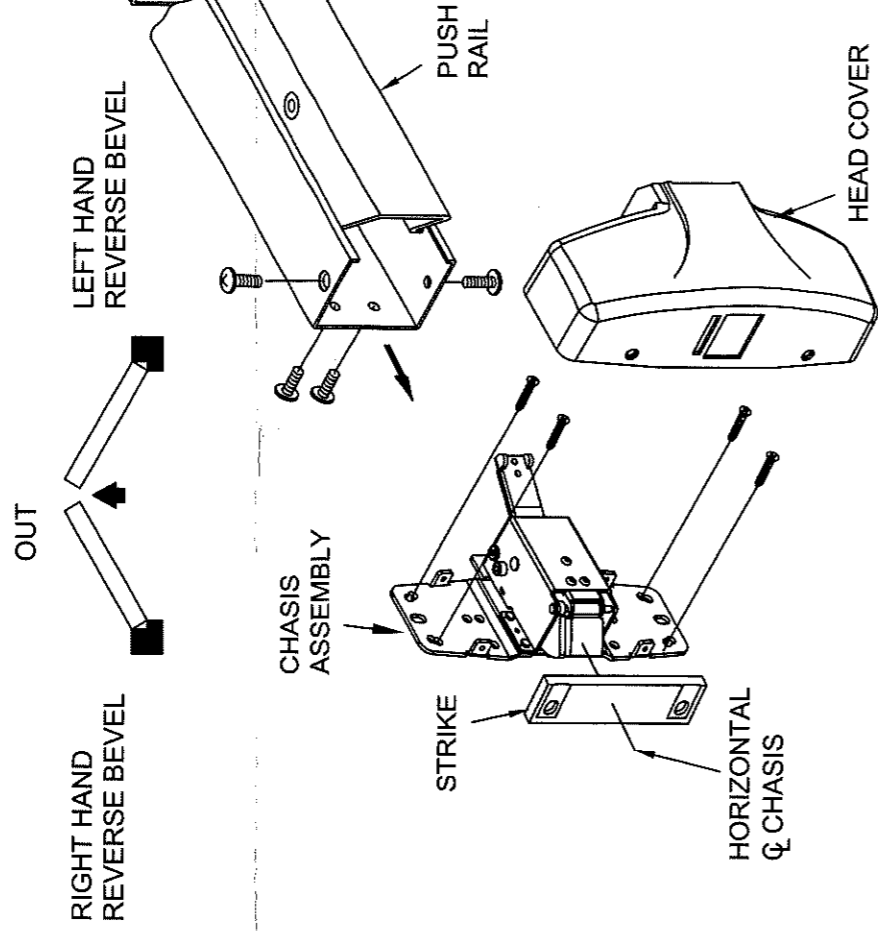


# INSTALLATION INSTRUCTION FOR 5500 SERIES PANIC EXIT DEVICE

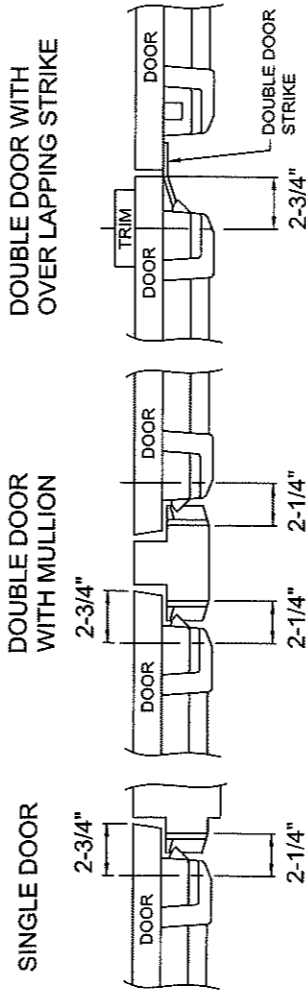
## BEFORE INSTALLING DEVICE, PLEASE CHECK:

- IF DOOR IS FITTED AND HUNG.
- SIZE OF EXIT DEVICE, FUNCTION AND DESIGN...
  - 36" DOORS, CAN BE CUT TO FIT DOORS DOWN TO 30" WIDE.
  - 48" DOORS, CAN BE CUT TO FIT DOORS DOWN TO 36" WIDE.
  - HAND OF DEVICE AGAINST APPLICATION.



SURFACE OF DOOR FOR EXIT DEVICE APPLIED MUST BE FLUSHED.

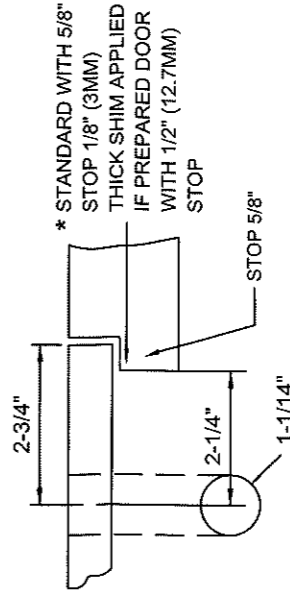
## 1. TYPE OF INSTALLATION



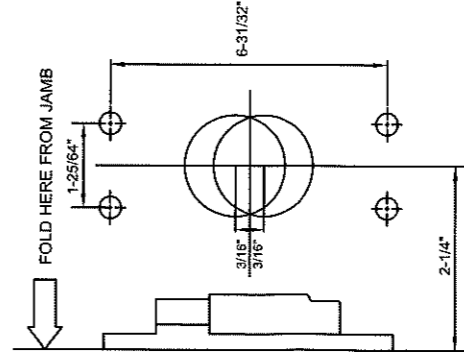
## 2. APPLY HARDWARE

### 2.1 DRILL HOLES

MARK DOOR FACE AND DRILL HOLES IN ACCORDANCE WITH THE DIAMETERS SUGGESTED. SEE ATTACHED TEMPLATE



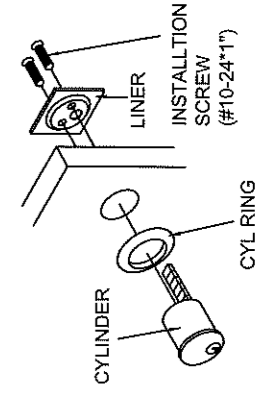
(INSIDE) OUTSIDE FACE OF THE DOOR



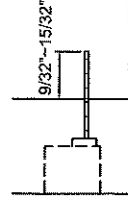
CENTER OF CYLINDER END OF BODY INSIDE FACE OF THE DOOR

### 2.2 INSTALL CYLINDER

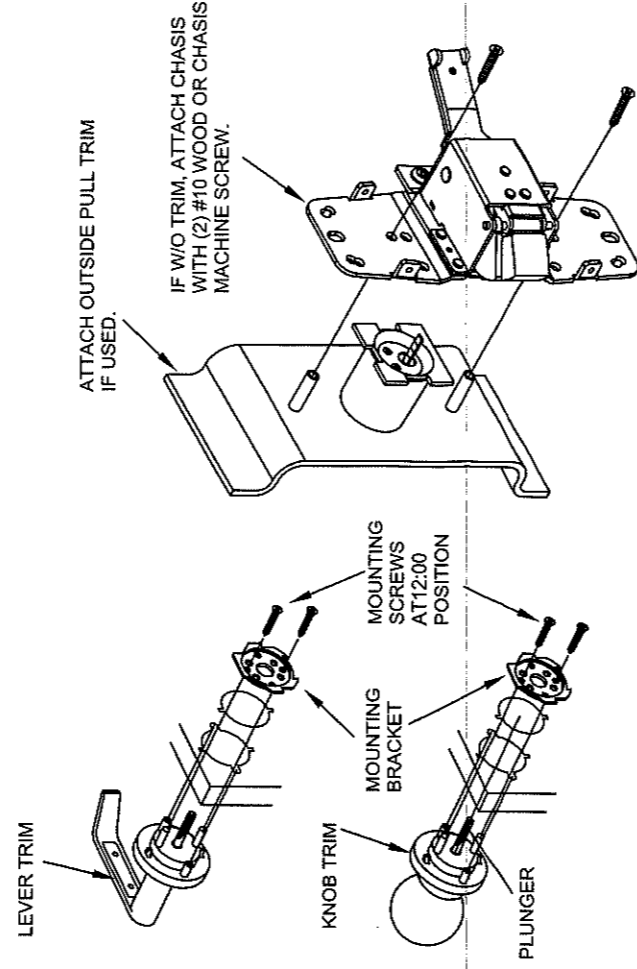
OUTSIDE FACE OF THE DOOR



- INSERT THE CYLINDER THROUGH CYL RING THE HOLE ON THE DOOR.
- KEEP THE TAIL PIECE HORIZONTAL.
- MOUNT LINER ON INSIDE OF DOOR AND DOOR IS SUGGESTED IN THE RANGE 9/32"~15/32". IF NECESSARY, USE A PLIER TO BEND AND CUT TO DESIRED LENGTH.



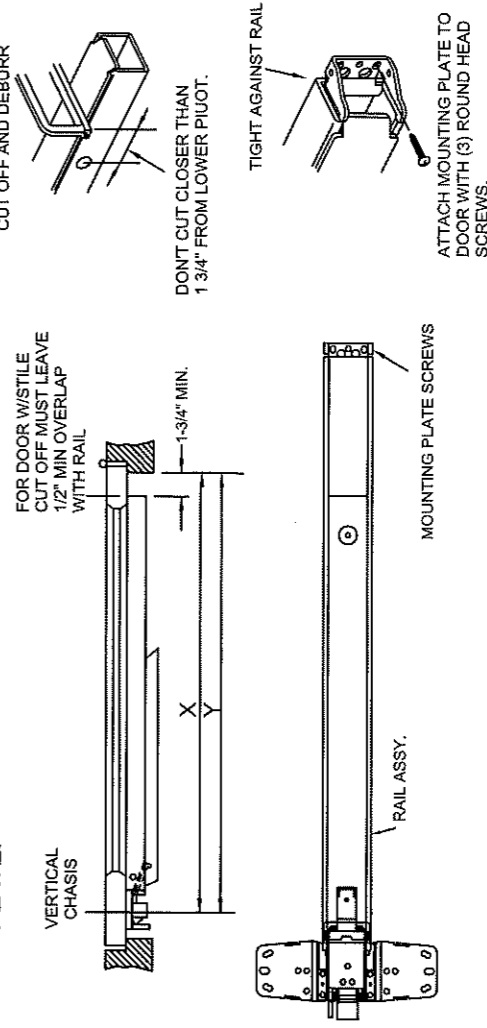
## 2.3 INSTALL LEVER, OR KNOB, OR PULL TRIM



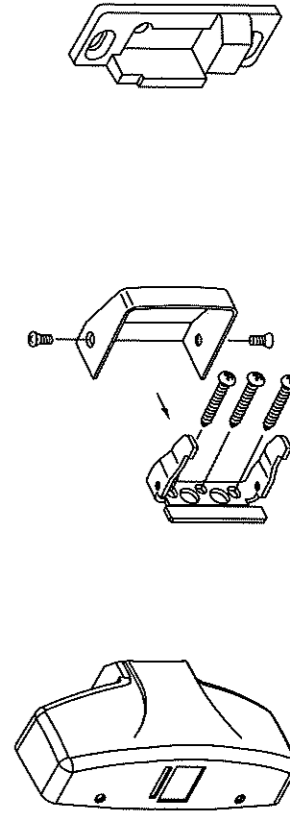
CHASIS MOUNTING SCREWS

## 3. APPLY RAIL ASSEMBLY

- CHECK THE SIZE OF DEVICE, IF CUTTING TO LENGTH IS REQUIRED.
- DETERMINE CUT OFF LENGTH "X" BY SUBTRACTING 1 3/4" FROM "Y". MARK CUT OFF POINT ON MOUNTING RAIL.
- DEPRESS ARM INTO RAIL OPENING AND SLIDE RAIL ONTO CHASIS. LEVEL RAIL AND FASTEN CHASIS AND MOUNTING PLATE.



## 4. APPLY COVER AND STRIKES



ATTACH COVER TO CHASIS WITH (4) #8 TRUSS HEAD MACHINE SCREW.

ATTACH END CAP TO MOUNTING PLATE WITH (2) COVER SCREWS.

ATTACH STRIKE TO DOOR STOP WITH (2) STRIKE SCREW AND LOCK WASHER