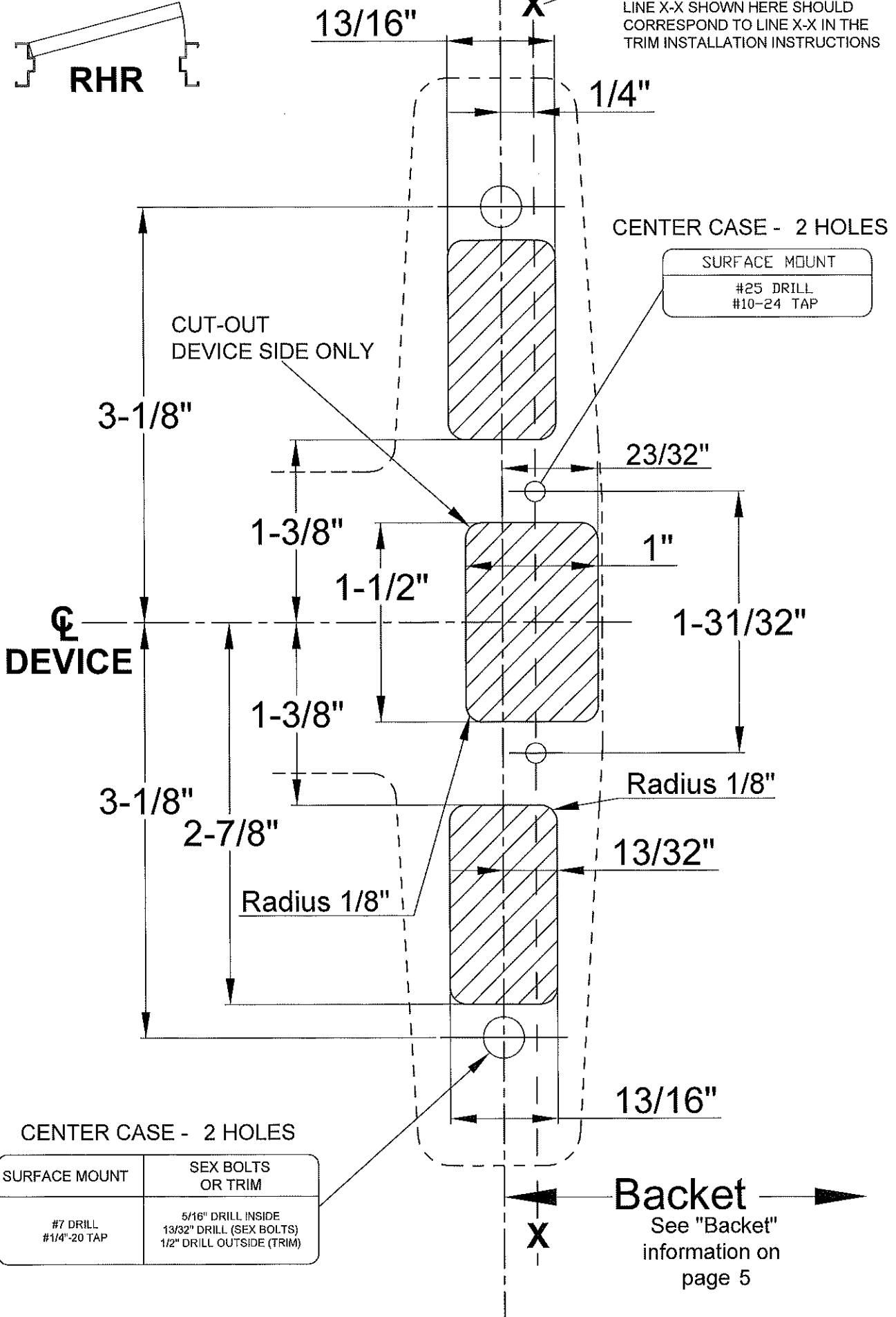


2300 Device template METAL DOOR RHR



☉ DEVICE

LINE X-X IS A REFERENCE LINE FOR TRIM AND EXIT DEVICE ALIGNMENT. LINE X-X SHOWN HERE SHOULD CORRESPOND TO LINE X-X IN THE TRIM INSTALLATION INSTRUCTIONS



SURFACE MOUNT

#25 DRILL
#10-24 TAP

CUT-OUT
DEVICE SIDE ONLY

CENTER CASE - 2 HOLES

☉
DEVICE

CENTER CASE - 2 HOLES

SURFACE MOUNT	SEX BOLTS OR TRIM
#7 DRILL #1/4"-20 TAP	5/16" DRILL INSIDE 13/32" DRILL (SEX BOLTS) 1/2" DRILL OUTSIDE (TRIM)

Bucket

See "Bucket"
information on
page 5