

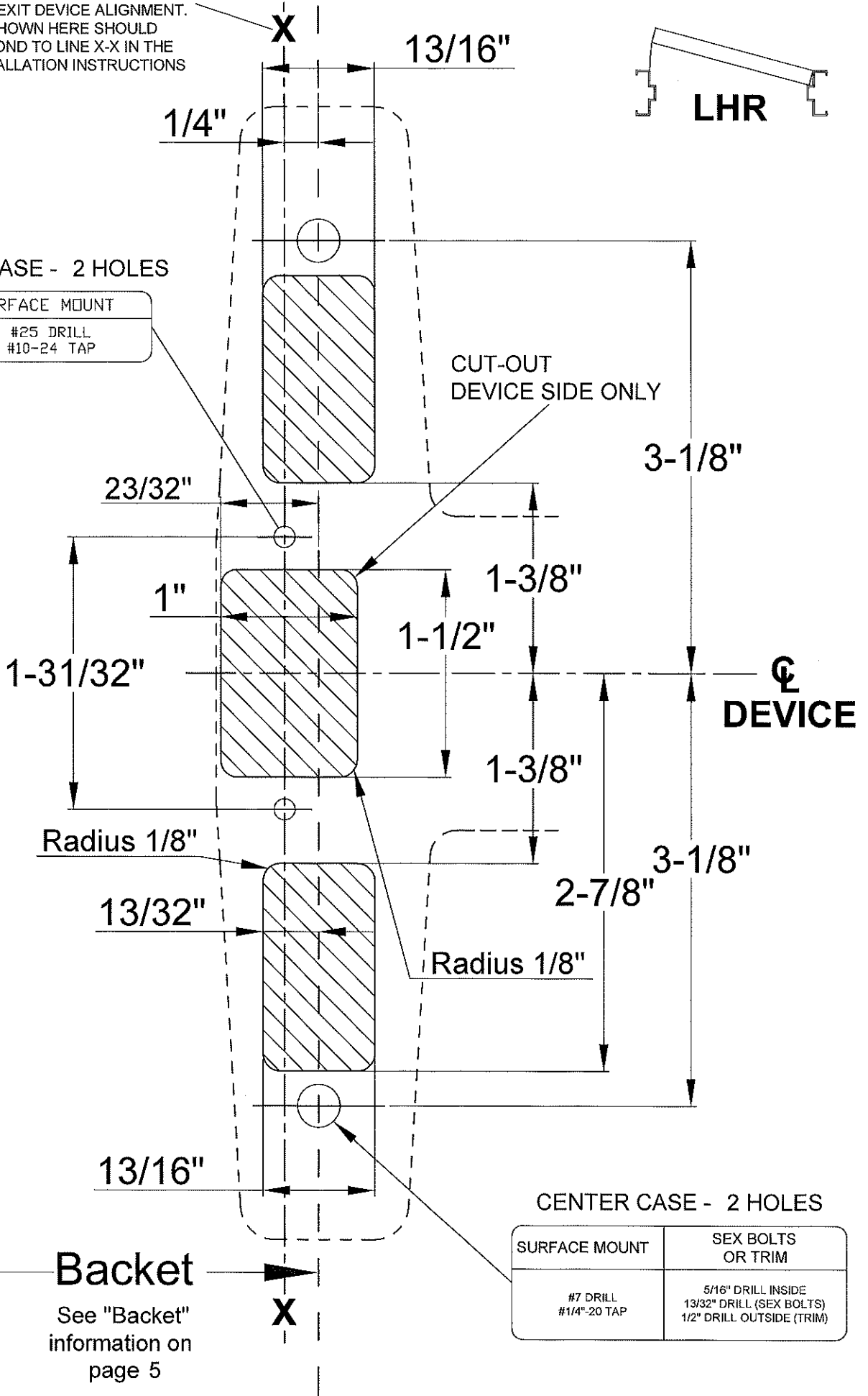
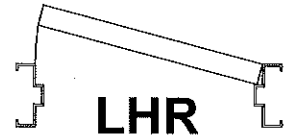
DEVICE C

2300 Device template METAL DOOR LHR

LINE X-X IS A REFERENCE LINE FOR TRIM AND EXIT DEVICE ALIGNMENT. LINE X-X SHOWN HERE SHOULD CORRESPOND TO LINE X-X IN THE TRIM INSTALLATION INSTRUCTIONS

CENTER CASE - 2 HOLES

SURFACE MOUNT
#25 DRILL
#10-24 TAP



CENTER CASE - 2 HOLES	
SURFACE MOUNT	SEX BOLTS OR TRIM
#7 DRILL #1/4"-20 TAP	5/16" DRILL INSIDE 13/32" DRILL (SEX BOLTS) 1/2" DRILL OUTSIDE (TRIM)