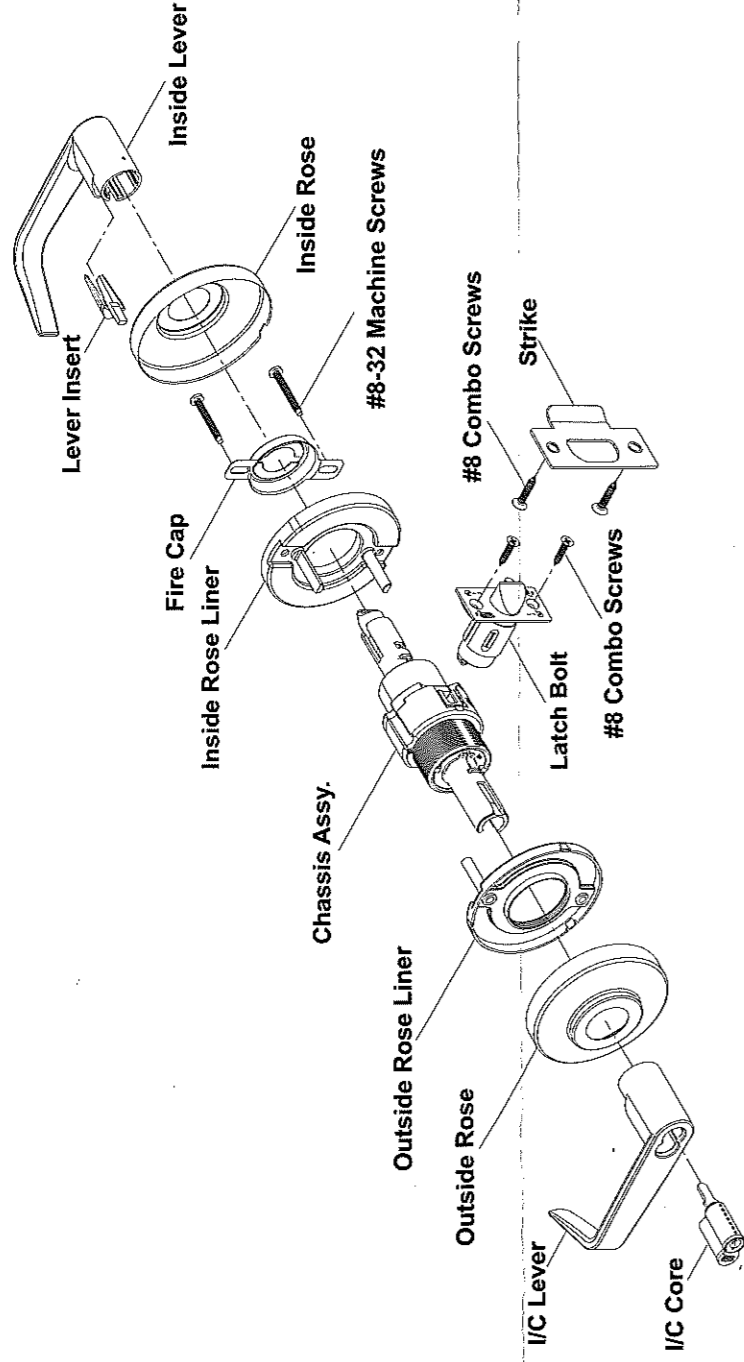
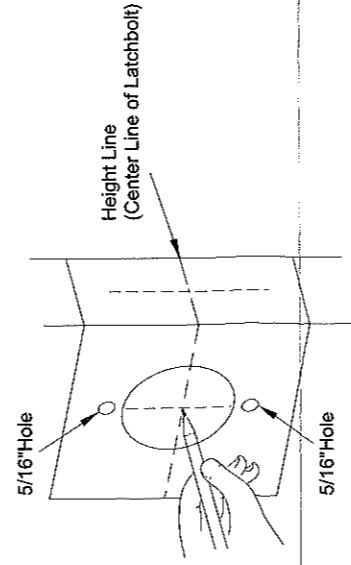


# HOW TO INSTALL THIS CYLINDRICAL LEVER LOCK



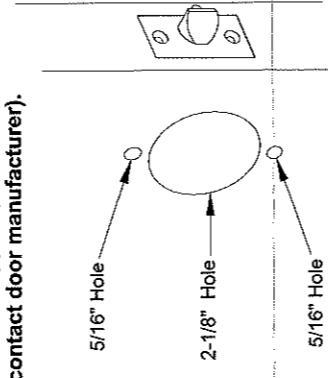
## 1. MARK DOOR

- Mark height line on edge of door approximately 38" from floor.
- Using the proper backset, mark 2 1/8" hole on both sides of the door.
- Mark 5/16" holes, two places on outside of the door.
- Mark the center of the door edge for the latch.



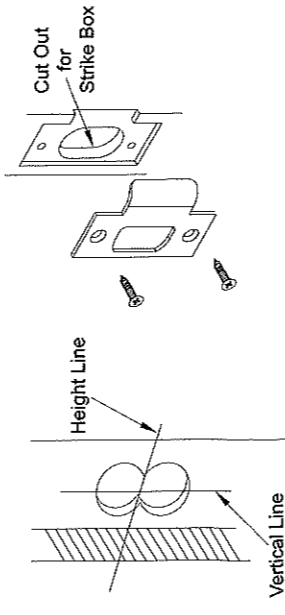
## 2. DOOR PREPARATION

- Bore 2 1/8" hole thru and two 5/16" holes from both sides of door to prevent splintering door finish.
  - Bore 1" hole for latch on door.
  - Using the latch faceplate as a guide, trace outline and mortise door edge so latch is flush with door.
  - Install latch with screws provided.
- NOTE : Hollow metal doors must be properly reinforced for lock support (if support was not furnished, contact door manufacturer).**



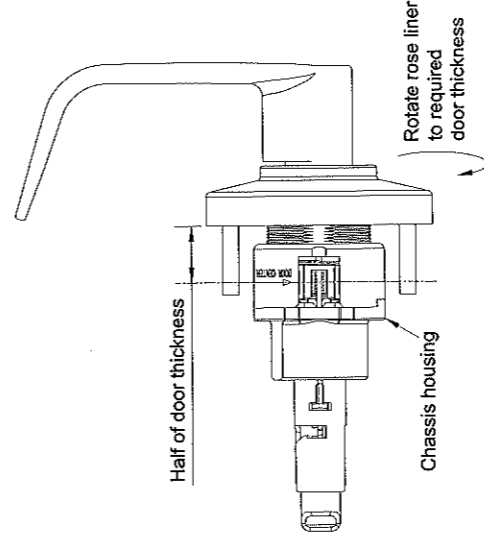
## 3. INSTALL STRIKE

- Use strike locating tool or pointed object to locate position for hole in frame.
- Bore 1" x 3/4" deep hole. Use strike as a template and mortise to the proper depth.
- If dust box is to be used, clear area with wood chisel.



## 4. CHASSIS ADJUSTMENT

- Rotate outside rose liner to required door thickness.



## 5. INSTALL OUTSIDE TRIM

- For ease of installation, lock should be in the unlocked position. (Figure 1)
  - Slide chassis assembly into door from outside making sure that lock housing engages latch prongs, retractor must also engage latch bar. (Figure 2)
- IMPORTANT: Chassis assembly must be positioned in center of door for proper operation.**

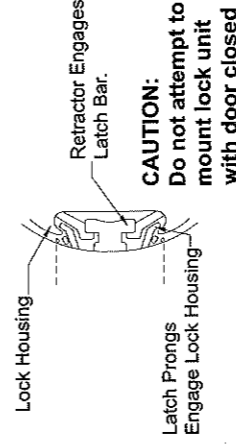


Figure 1

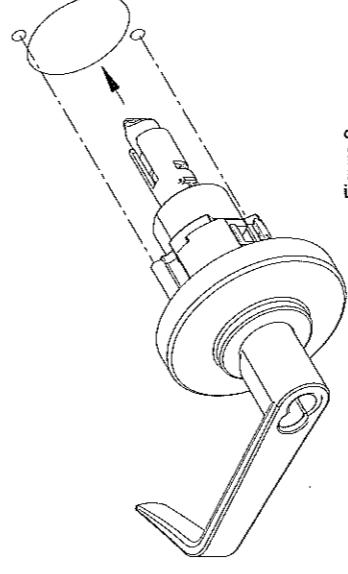
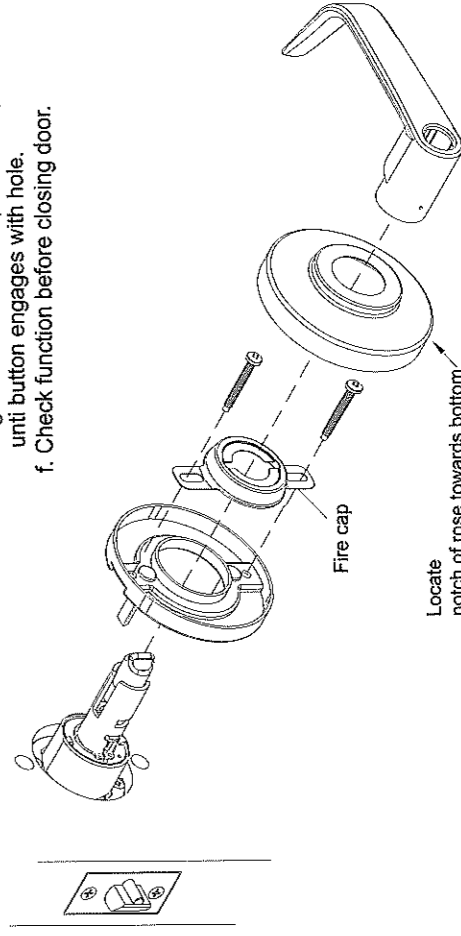


Figure 2

## 6. INSTALL INSIDE TRIM

- Place inside rose liner over chassis.
- Insert fire cap.
- Insert screws and tighten.



## 7. INSTALL CORE

- Insert the throw member into the core.
- Put the control key into the core and turn the key 15° clockwise.
- Put the core and throw member into the lever with the control key.
- Turn the 15° counterclockwise and remove the key. **CAUTION : Since the control key is a high-security key, make sure to keep it protected.**

