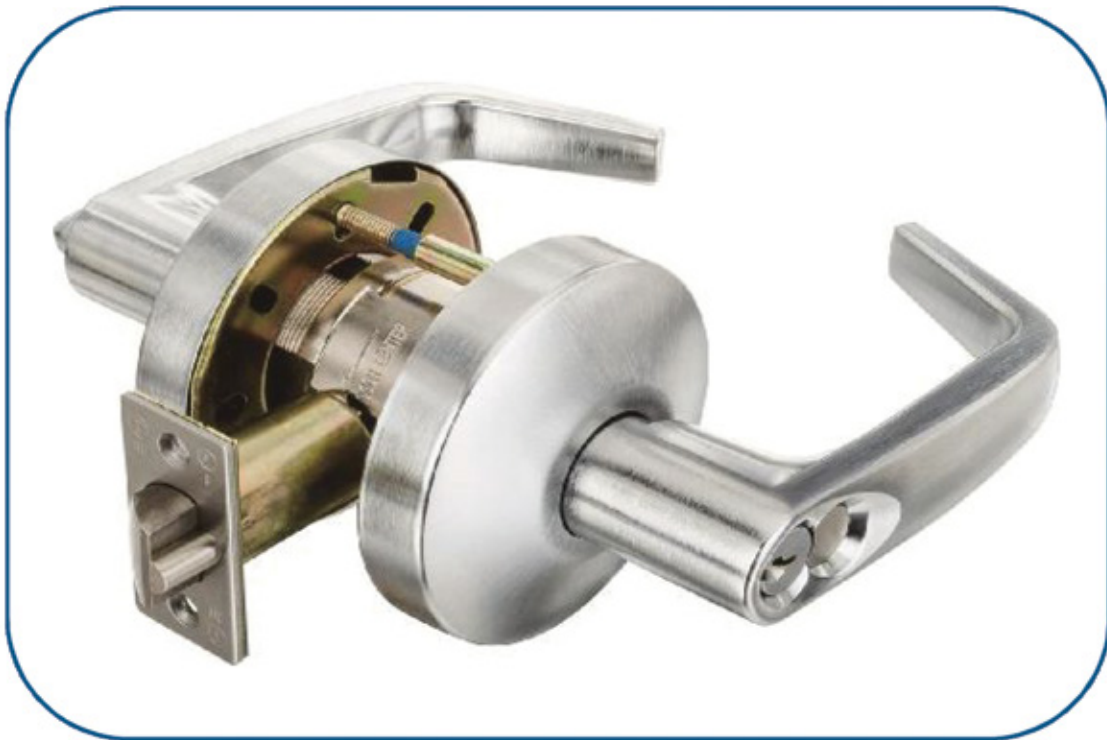




# **MB1A SERIES SERVICE MANUAL**

## **ANSI GRADE 1 CYLINDRICAL LEVER LOCK**



Rev. 3.25.23

**MARSHALL BEST SECURITY CORPORATION**

10005 Cumberland Pointe Blvd., Noblesville, IN 46060 • Phone: 317-806-1180 • Fax: 317-578-2904

[www.marshallbestsecurity.com](http://www.marshallbestsecurity.com)

# MB1A Series Service Manual

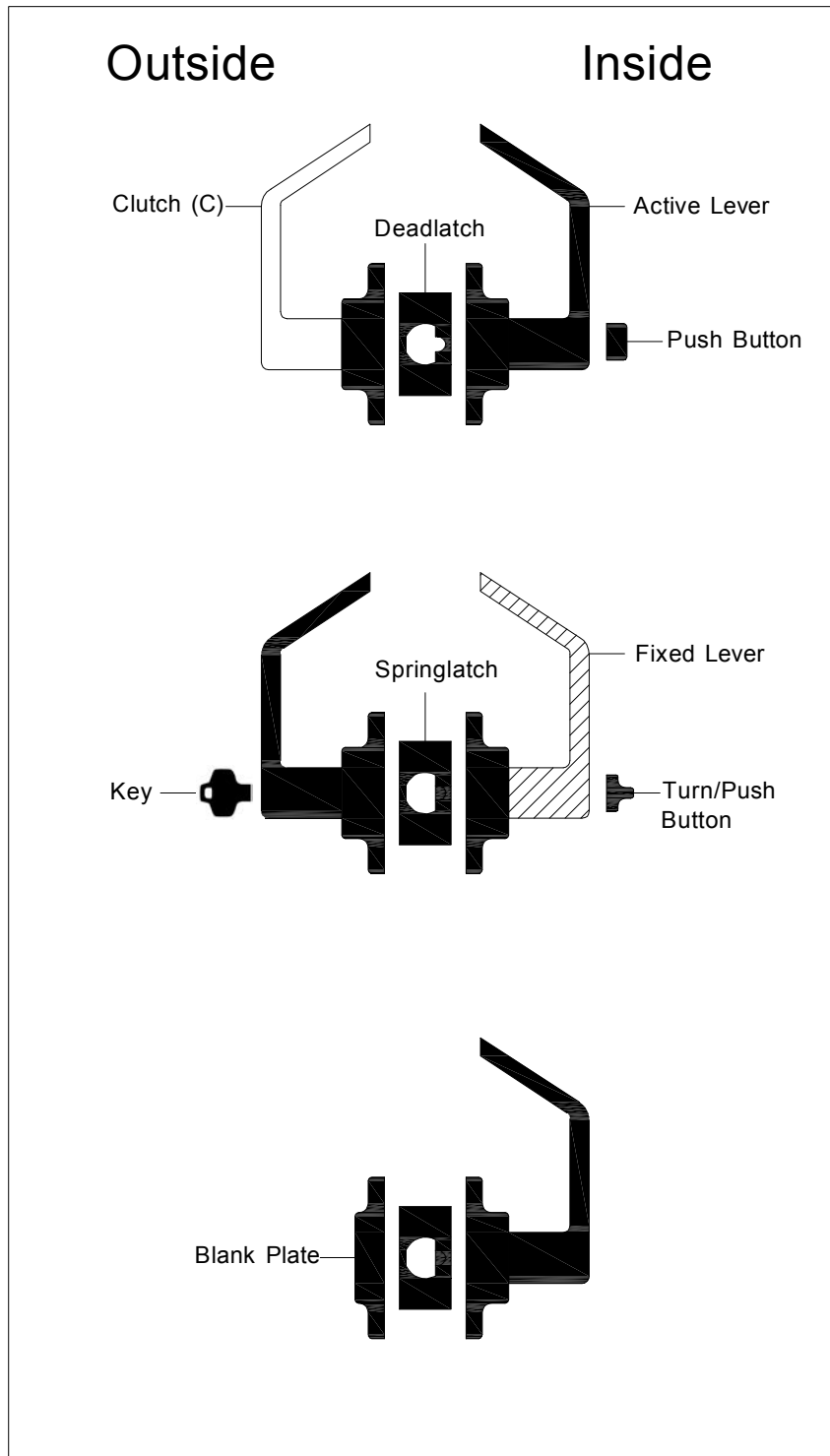
---

## Table of Contents

<b>1</b>	<b>Lock Assembly Drawing Index</b>	<b>47</b>	<b>Lever Designs</b>
<b>7</b>	<b>Assembly Chart</b>	<b>48</b>	<b>Roses</b>
<b>8</b>	<b>Lock Assemblies</b>	<b>49</b>	<b>Cylinders</b>
8	00 Entry Lock	<b>50</b>	<b>Latches</b>
9	00(C) Clutch Entry Lock	<b>51</b>	<b>Strikes</b>
10	01 Entry / Office Lock	<b>52</b>	<b>Components</b>
11	01(C) Clutch Entry / Office Lock	<b>53</b>	<b>Installation Instructions</b>
12	02 Store Door Lock	<b>55</b>	<b>Templates</b>
13	02(C) Clutch Store Door Lock	<b>56</b>	<b>Finishes</b>
14	03 Classroom Lock	<b>57</b>	<b>Note</b>
15	03(C) Clutch Classroom Lock		
16	04 Communicating Lock		
17	04(C) Clutch Communicating Lock		
18	05 Storeroom Lock		
19	05(C) Clutch Storeroom Lock		
20	06 Apartment Lock		
21	06(C) Clutch Apartment Lock		
22	08 Dormitory Lock or Assistant Living Lock		
23	08(C) Clutch Dormitory Lock or Assistant Living Lock		
24	09 Institution Lock		
25	09(C) Clutch Institution Lock		
26	10 Patio Lock		
27	10(C) Clutch Patio Lock		
28	H1 Hotel / Motel Guest Room		
29	H1(C) Clutch Hotel / Motel Guest Room		
30	13 Intruder Classroom / Security Lock		
31	13(C) Clutch Intruder Classroom / Security Lock		
32	15 Service Station		
33	15(C) Clutch Service Station		
34	20 Privacy Lock		
35	20(C) Clutch Privacy Lock		
36	21 Hospital Privacy Lock		
37	21(C) Clutch Hospital Privacy Lock		
38	30 Passage Lock		
39	40 Single Dummy Trim		
40	42 Double Dummy Trim		
41	50 Exit Latch		
42	60 Communicating Passage Lock		
43	63 Communicating Classroom Lock		
44	63(C) Clutch Communicating Classroom Lock		
45	65 Communicating Storeroom Lock		
46	65(C) Clutch Communicating Storeroom Lock		

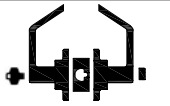
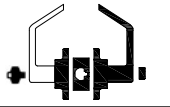
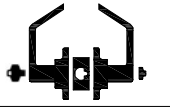
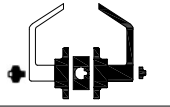
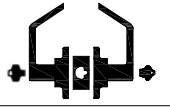
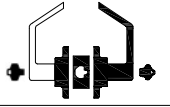
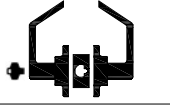
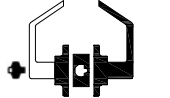
## Lock Assembly Drawing Index

The Lock Assembly Drawing Index provides visual representations and textual descriptions of available functions. Page numbers for full trim and chassis drawings are referenced.



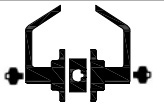
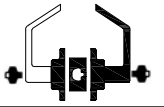
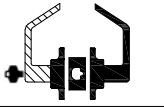
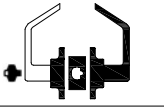
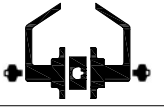
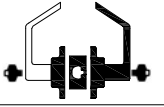
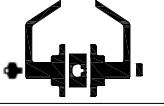
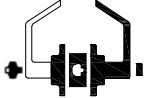
# MB1A Series Service Manual

## Lock Assembly Drawing Index

Functions Grade 1 MB1A Series ANSI A156.2-2011		Lock Assembly		
		Page Number	Part Number	
<b>ANSI</b>				
00	F82	<b>Entry Lock</b> Outside lever is unlocked with key when push-button is pushed. Push-button locks outside lever. Turning inside lever releases button. Inside lever is always free for immediate egress.	8	00
				
00(C)		<b>Clutch Entry Lock</b> Outside lever is unlocked with key when push-button is pushed. Push-button locks outside lever. Turning inside lever releases button. Inside lever is always free for immediate egress. Clutch (C) allows outside spindle to disengage from latch when locked.	9	00(C)
				
01	F109	<b>Entry / Office Lock</b> Key retracts latch when button is pushed and turned. Lever is unlocked with key when push-button is pushed. Turn / push-button : pushing and turning button locks outside lever until manually unlocked. Inside always free for immediate egress.	10	01
				
01(C)		<b>Clutch Entry / Office Lock</b> Key retracts latch when button is pushed and turned. Lever is unlocked with key when push-button is pushed. Turn / push-button : pushing and turning button locks outside lever until manually unlocked. Inside always free for immediate egress. Clutch (C) allows outside spindle to disengage from latch when locked.	11	01(C)
				
02	F91	<b>Store Door Lock</b> Key locks or unlocks both levers simultaneously.	12	02
				
02(C)		<b>Clutch Store Door Lock</b> Key locks or unlocks both levers simultaneously. Clutch (C) allows outside spindle to disengage from latch when locked.	13	02(C)
				
03	F84	<b>Classroom Lock</b> Latch operated by lever from either side except when outside lever is locked from outside by key. When outside lever is locked, latchbolt is operated by key in outside lever or by rotating inside lever.	14	03
				
03(C)		<b>Clutch Classroom Lock</b> Latch operated by lever from either side except when outside lever is locked from outside by key. When outside lever is locked, latchbolt is operated by key in outside lever or by rotating inside lever. Clutch (C) allows outside spindle to disengage from latch when locked.	15	03(C)
				

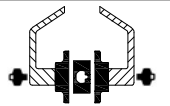
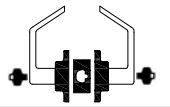
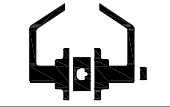
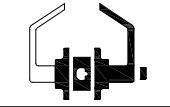
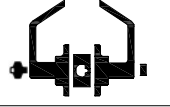
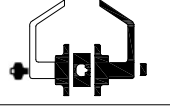
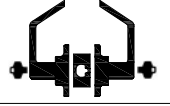
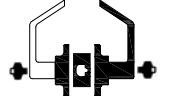
# MB1A Series Service Manual

## Lock Assembly Drawing Index

Functions Grade 1 MB1A Series ANSI A156.2-2011		Lock Assembly		
		Page Number	Part Number	
<b>ANSI</b>				
04	F80	<b>Communicating Lock</b> Latch operated by lever from either side. Turning key in either lever locks or unlocks its own lever independently.	16	04
				
04(C)		<b>Clutch Communicating Lock</b> Latch operated by lever from either side. Turning key in either lever locks or unlocks its own lever independently. Clutch (C) allows outside spindle to disengage from latch when locked.	17	04(C)
				
05	F86	<b>Storeroom Lock</b> Outside lever always fixed. Entrance by key only. Inside lever is always unlocked and is always free for immediate egress.	18	05
				
05(C)		<b>Clutch Storeroom Lock</b> Outside lever always disengaged. Entrance by key only. Inside lever is always unlocked and is always free for immediate egress. Clutch (C) allows outside spindle to disengage from latch when locked.	19	05(C)
				
06	F88	<b>Apartment Lock</b> Latch retracted by key when locked by inside key. Key locks and unlocks lever. Inside lever is always unlocked and is always free for immediate egress.	20	06
				
06(C)		<b>Clutch Apartment Lock</b> Latch retracted by key when locked by inside key. Key locks and unlocks lever. Inside lever is always unlocked and is always free for immediate egress. Clutch (C) allows outside spindle to disengage from latch when locked.	21	06(C)
				
08	F90	<b>Dormitory / Assistant Living Lock</b> Locked or unlocked by key. When locked by key it can only be unlocked by key. Push-button locks outside lever. Turning lever or closing door releases button. Inside lever is always unlocked and is always free for immediate egress.	22	08
				
08(C)		<b>Clutch Dormitory / Assistant Living Lock</b> Locked or unlocked by key. When locked by key it can only be unlocked by key. Push-button locks outside lever. Turning lever or closing door releases button. Inside lever is always unlocked and is always free for immediate egress. Clutch (C) allows outside spindle to disengage from latch when locked.	23	08(C)
				

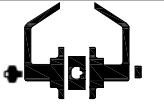
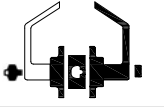

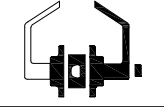
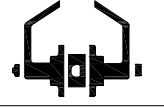
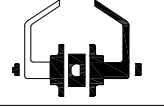
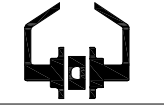
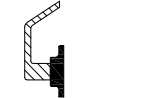
# MB1A Series Service Manual

## Lock Assembly Drawing Index

Functions Grade 1 MB1A Series ANSI A156.2-2011		Lock Assembly	
		Page Number	Part Number
<b>ANSI</b>			
09	F87	<b>Institution Lock</b> Outside lever and inside lever are fixed. Entrance by key only.	
			24
			09
09(C)		<b>Clutch Institution Lock</b> Deadlocking latchbolt operated only by key in lever from either side. Both levers always free turn and locked.	
			25
			09(C)
10	F77	<b>Patio Lock</b> Push-button locking. Turning inside lever or closing door releases button, preventing lock-out.	
			26
			10
10(C)		<b>Clutch Patio Lock</b> Push-button locking. Turning inside lever or closing door releases button, preventing lock-out. Clutch (C) allows outside spindle to disengage from latch when locked.	
			27
			10(C)
H1	F93	<b>Hotel / Motel Guest Room</b> Latch operated by lever from inside at all times. Outside lever always fixed. Latchbolt operated by key from outside except when push button inside is operated thus shutting out all keys except emergency key. Inside push button provides lockout feature by keeping indicator thrown. Turning inside lever or closing door releases indicator and shut out feature.	
			28
			H1
H1(C)		<b>Clutch Hotel / Motel Guest Room</b> Latch operated by lever from inside at all times. Outside lever always fixed. Latchbolt operated by key from outside except when push button inside is operated thus shutting out all keys except emergency key. Inside push button provides lockout feature by keeping indicator thrown. Turning inside lever or closing door releases indicator and shut out feature. Clutch (C) allows outside spindle to disengage from latch when locked.	
			29
			H1(C)
13	F110	<b>Intruder Classroom / Security Lock</b> Latch operated by lever from either side, except when outside lever is locked by key in lever from either side. Inside lever is always unlocked. When outside is locked, outside lever remains free turn and locked.	
			30
			13
13(C)		<b>Clutch Intruder Classroom / Security Lock</b> Latch operated by lever from either side, except when outside lever is locked by key in lever from either side. Inside lever is always unlocked. When outside is locked, outside lever remains free turn and locked. Clutch (C) allows outside spindle to disengage from latch when locked.	
			31
			13(C)

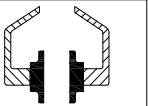
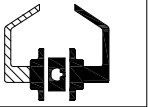


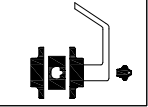
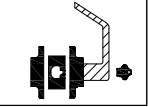
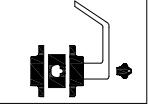
# MB1A Series Service Manual

## Lock Assembly Drawing Index

Functions Grade 1 MB1A Series ANSI A156.2-2011		Lock Assembly	
		Page Number	Part Number
<b>ANSI</b>			
15	F92		<b>Service Station</b> Latch operated by lever from either side except when outside lever is locked by push button from inside. Key outside, operating inside lever or closing door releases push button, unlocking outside lever except when slotted push button fixed in locked position. Inside lever always unlocked and always free for immediate egress.
		32	15
15(C)			<b>Clutch Service Station</b> Latch operated by lever from either side except when outside lever is locked by push button from inside. Key outside, operating inside lever or closing door releases push button, unlocking outside lever except when slotted push button fixed in locked position. Inside lever always unlocked and always free for immediate egress. Clutch (C) allows outside spindle to disengage from latch when locked.
		33	15(C)
20	F76		<b>Privacy Lock</b> Can be opened from outside with emergency release(cointurn). Push-button locks outside lever. Turning inside lever or closing door releases button. Inside lever is always free for immediate egress.
		34	20
20(C)			<b>Clutch Privacy Lock</b> Can be opened from outside with emergency release(cointurn). Push-button locks outside lever. Turning inside lever or closing door releases button. Inside lever is always free for immediate egress. Clutch (C) allows outside spindle to disengage from latch when locked.
		35	20(C)
21	F76		<b>Hospital Privacy Lock</b> Can be opened from outside with emergency release(turn button). Push-button locks outside lever. Turning inside lever or closing door releases button. Inside lever is always free for immediate egress.
		36	21
21(C)			<b>Clutch Hospital Privacy Lock</b> Can be opened from outside with emergency release(turn button). Push-button locks outside lever. Turning inside lever or closing door releases button. Inside lever is always free for immediate egress. Clutch (C) allows outside spindle to disengage from latch when locked.
		37	21(C)
30	F75		<b>Passage Lock</b> Outside lever is always unlocked. Inside lever is always unlocked and is always free for immediate egress.
		38	30
40			<b>Single Dummy Trim</b> Inactive trim for one side of door. Use for door pull or as matching inactive trim.
		39	40

# MB1A Series Service Manual

## Lock Assembly Drawing Index

Functions Grade 1 MB1A Series ANSI A156.2-2011		Lock Assembly	
		Page Number	Part Number
<b>ANSI</b>			
42	 <p><b>Double Dummy Trim</b> Inactive trim for both sides of door. Use for door pull as matching inactive trim.</p>	40	42
50	 <p><b>Exit Latch</b> Outside lever is fixed. Inside lever is always unlocked and is always free for immediate egress.</p>	41	50
60	 <p><b>Communicating Passage Lock</b> Latch operated by lever one side only at all times. Non removable blank plate.</p>	42	60
63	 <p><b>Communicating Classroom Lock</b> Latch operated by lever one side only except when lever is locked by key. Operating the key in the lever permits the latchbolt to be retracted. Non removable blank plate.</p>	43	63
63(C)	 <p><b>Clutch Communicating Classroom Lock</b> Latch operated by lever one side only except when lever is locked by key. Operating the key in the lever permits the latchbolt to be retracted. Non removable blank plate. Clutch (C) allows outside spindle to disengage from latch when locked.</p>	44	63(C)
65	 <p><b>Communicating Storeroom Lock</b> Deadlocking latchbolt operated by key in lever one side only. Lever always inoperable. Operating the key in the lever permits the latchbolt to be retracted by operating the lever. Non removable blank plate.</p>	45	65
65(C)	 <p><b>Clutch Communicating Storeroom Lock</b> Deadlocking latchbolt operated by key in lever one side only. Lever always inoperable. Operating the key in the lever permits the latchbolt to be retracted by operating the lever. Non removable blank plate. Clutch (C) allows outside spindle to disengage from latch when locked.</p>	46	65(C)



# MB1A Series Service Manual

## Assembly Chart

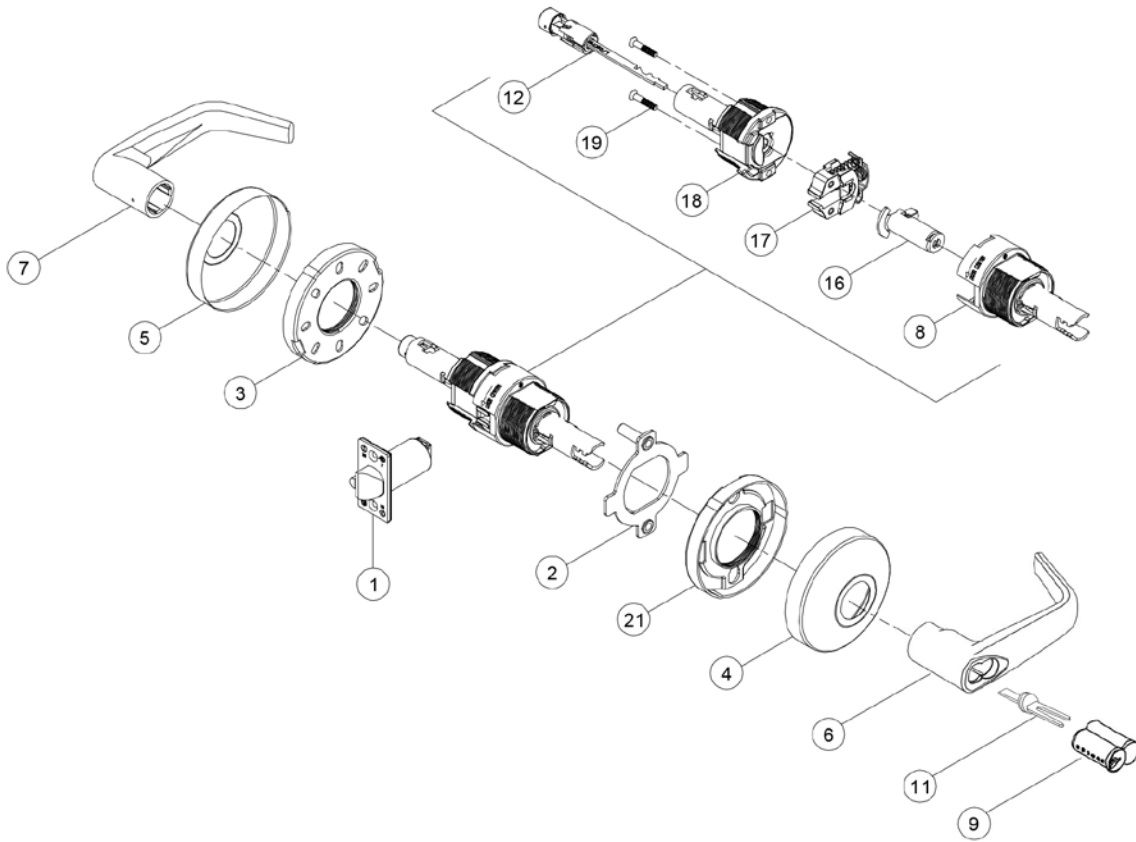
Item No.	Description	00	00(C)	01	01(C)	02	02(C)	03	03(C)	04	04(C)	05	05(C)	06	06(C)	08	08(C)	09	09(C)	10	10(C)	H1	H1(C)	13	13(C)	15	15(C)	20	20(C)	21	21(C)	30	40	42	50	60		
		1	Latch	●	●	●	●	●	●	●	●	●	●	●	●	●	●	●	●	●	●	●	●	●	●	●	●	●	●	●	●	●	●	●	●	●	●	●
2	Thru-bolt Retainer	●	●	●	●	●	●	●	●	●	●	●	●	●	●	●	●	●	●	●	●	●	●	●	●	●	●	●	●	●	●	●	●	●	●	●	●	
3	Inside Rose Liner	●	●	●	●	●	●	●	●	●	●	●	●	●	●	●	●	●	●	●	●	●	●	●	●	●	●	●	●	●	●	●	●	●	●	●	●	
4	Outside Rose	●	●	●	●	●	●	●	●	●	●	●	●	●	●	●	●	●	●	●	●	●	●	●	●	●	●	●	●	●	●	●	●	●	●	●	●	
5	Inside Rose	●	●	●	●	●	●	●	●	●	●	●	●	●	●	●	●	●	●	●	●	●	●	●	●	●	●	●	●	●	●	●	●	●	●	●	●	
6	Outside Lever	●	●	●	●	●	●	●	●	●	●	●	●	●	●	●	●	●	●	●	●	●	●	●	●	●	●	●	●	●	●	●	●	●	●	●	●	
7	Inside Lever	●	●	●	●	●	●	●	●	●	●	●	●	●	●	●	●	●	●	●	●	●	●	●	●	●	●	●	●	●	●	●	●	●	●	●	●	
8	Outside Hub	●	●	●	●	●	●	●	●	●	●	●	●	●	●	●	●	●	●	●	●	●	●	●	●	●	●	●	●	●	●	●	●	●	●	●	●	
9	Cylinder	●	●	●	2	2	●	●	2	2	●	●	2	2	●	●	2	2	●	●	●	●	●	2	2	●	●	●	●	●	●	●	●	●	●	●	●	
10	Spacer	●	●	●	2	2	●	●	2	2	●	●	2	2	●	●	2	2	●	●	●	●	●	2	2	●	●	●	●	●	●	●	●	●	●	●	●	
11	Lever Insert	●	●	●	2	2	●	●	2	2	●	●	2	2	●	●	2	2	●	●	●	●	●	2	2	●	●	●	●	●	●	●	●	●	●	●	●	
12	Push Button	●	●	●	●	●	●	●	●	●	●	●	●	●	●	●	●	●	●	●	●	●	●	●	●	●	●	●	●	●	●	●	●	●	●	●	●	
13	Turn / Push Button	●	●	●	●	●	●	●	●	●	●	●	●	●	●	●	●	●	●	●	●	●	●	●	●	●	●	●	●	●	●	●	●	●	●	●	●	
14	Emergency Button	●	●	●	●	●	●	●	●	●	●	●	●	●	●	●	●	●	●	●	●	●	●	●	●	●	●	●	●	●	●	●	●	●	●	●	●	
15	Turn Emergency Button	●	●	●	●	●	●	●	●	●	●	●	●	●	●	●	●	●	●	●	●	●	●	●	●	●	●	●	●	●	●	●	●	●	●	●	●	
16	Outside Keycam	●	●	●	●	●	●	●	●	●	●	●	●	●	●	●	●	●	●	●	●	●	●	●	●	●	●	●	●	●	●	●	●	●	●	●	●	
17	Retractor	●	●	●	●	●	●	●	●	●	●	●	●	●	●	●	●	●	●	●	●	●	●	●	●	●	●	●	●	●	●	●	●	●	●	●	●	
18	Inside Hub	●	●	●	●	●	●	●	●	●	●	●	●	●	●	●	●	●	●	●	●	●	●	●	●	●	●	●	●	●	●	●	●	●	●	●	●	
19	Chassis Screws	2	2	2	2	2	2	2	2	2	2	2	2	2	2	2	2	2	2	2	2	2	2	2	2	2	2	2	2	2	2	2	2	2	2	2	2	
20	Inside Keycam	●	●	●	●	●	●	●	●	●	●	●	●	●	●	●	●	●	●	●	●	●	●	●	●	●	●	●	●	●	●	●	●	●	●	●	●	●
21	Outside Rose Liner	●	●	●	●	●	●	●	●	●	●	●	●	●	●	●	●	●	●	●	●	●	●	●	●	●	●	●	●	●	●	●	●	●	●	●	●	

Item No.	Description	63	63(C)	65	65(C)
		1	Latch	●	●
2	Thru-bolt Retainer	●	●	●	●
3	Inside Rose Liner	●	●	●	●
4	Outside Rose	●	●	●	●
5	Inside Rose	●	●	●	●
6	Outside Lever	●	●	●	●
7	Inside Lever	●	●	●	●
8	Outside Hub	●	●	●	●
9	Cylinder	●	●	●	●
10	Spacer	●	●	●	●
11	Lever Insert	●	●	●	●
12	Push Button	●	●	●	●
13	Turn / Push Button	●	●	●	●
14	Emergency Button	●	●	●	●
15	Turn Emergency Button	●	●	●	●
16	Outside Keycam	●	●	●	●
17	Retractor	●	●	●	●
18	Inside Hub	●	●	●	●
19	Chassis Screws	2	2	2	2
20	Inside Keycam	●	●	●	●
21	Outside Rose Liner	●	●	●	●

# MB1A Series Service Manual

## 00

### Entry Lock



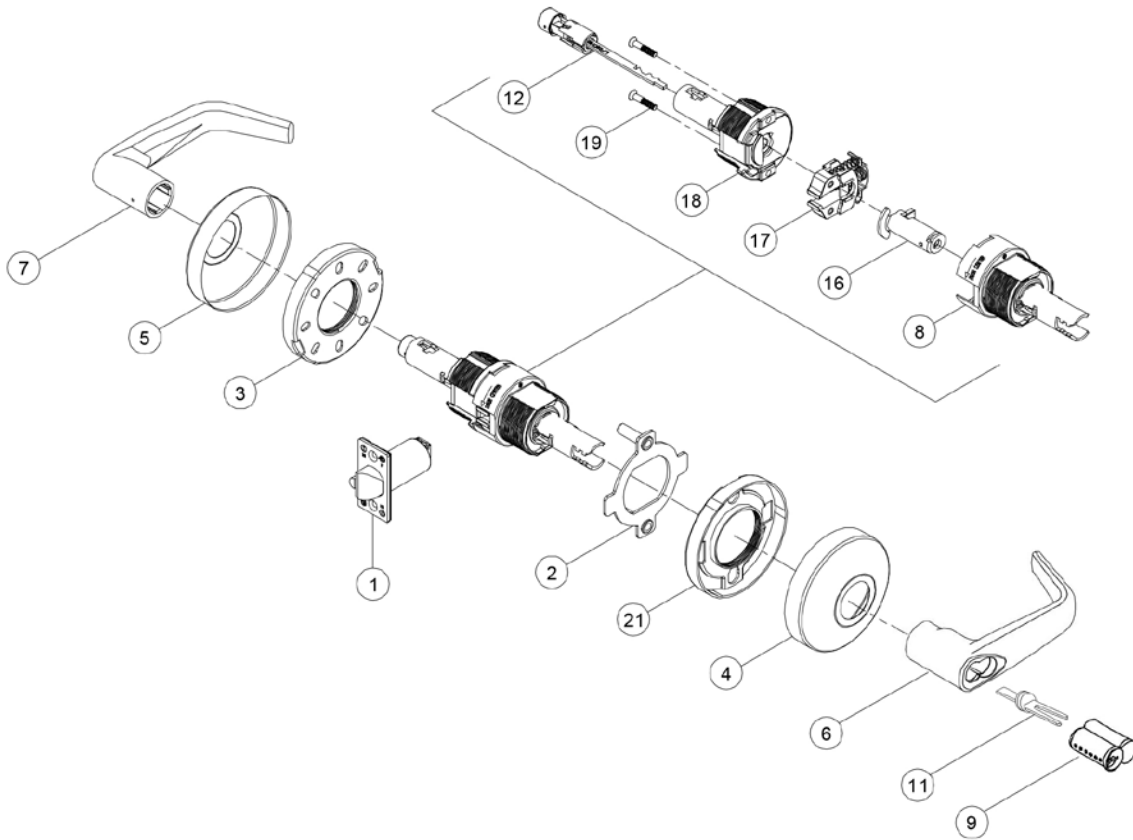
Item No.	Q'ty	Description
1	1	Deadlatch
2	1	Thru-bolt Retainer
3	1	Inside Rose Liner
4	1	Outside Rose
5	1	Inside Rose
6	1	Outside Lever
7	1	Inside Lever
8	1	Outside Hub - Entry
9	1	SFIC Core

Item No.	Q'ty	Description
11	1	Throw Member
12	1	Push Button
16	1	Outside Keycam - Entry
17	1	Retractor
18	1	Inside Hub - Entry
19	2	Chassis Screws
21	1	Outside Rose Liner

# MB1A Series Service Manual

## 00(C)

### Clutch Entry Lock



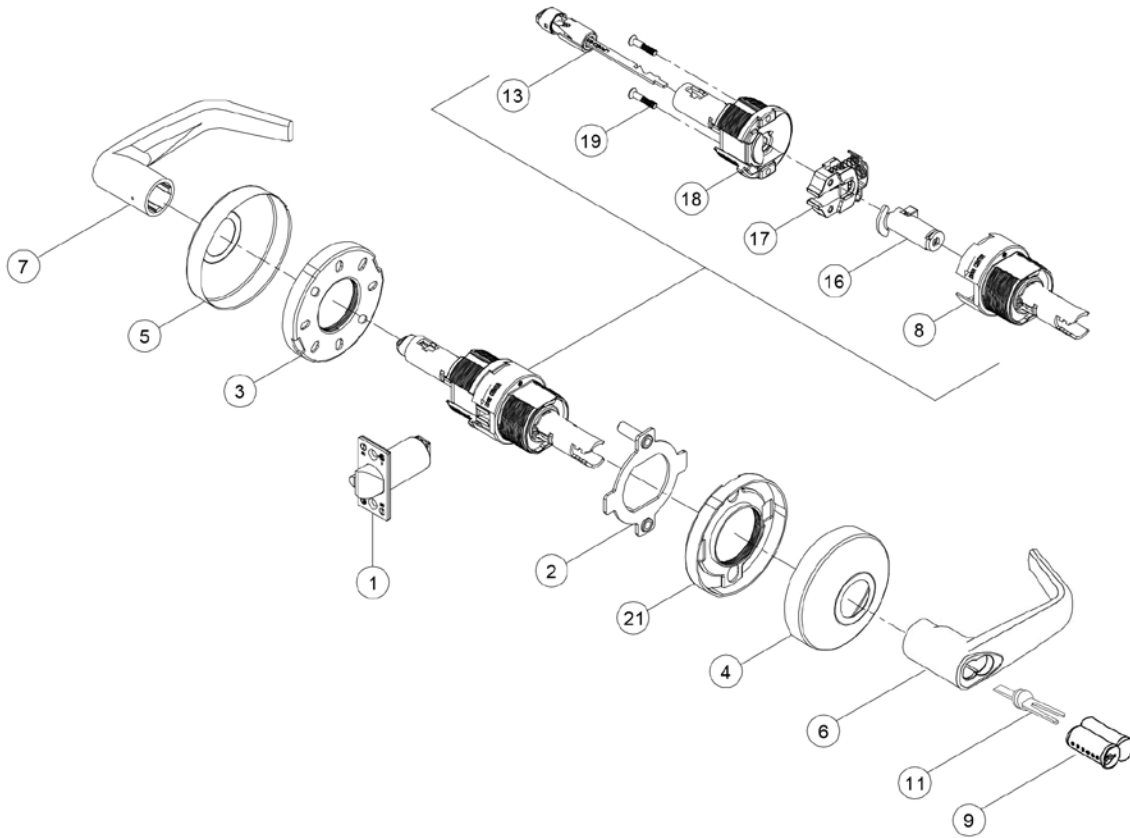
Item No.	Q'ty	Description
1	1	Deadlatch
2	1	Thru-bolt Retainer
3	1	Inside Rose Liner
4	1	Outside Rose
5	1	Inside Rose
6	1	Outside Lever
7	1	Inside Lever
8	1	Outside Hub - Clutch Entry
9	1	SFIC Core

Item No.	Q'ty	Description
11	1	Throw Member
12	1	Push Button
16	1	Outside Keycam - Clutch Entry
17	1	Retractor
18	1	Inside Hub - Clutch Entry
19	2	Chassis Screws
21	1	Outside Rose Liner

# MB1A Series Service Manual

## 01

### Entry / Office Lock



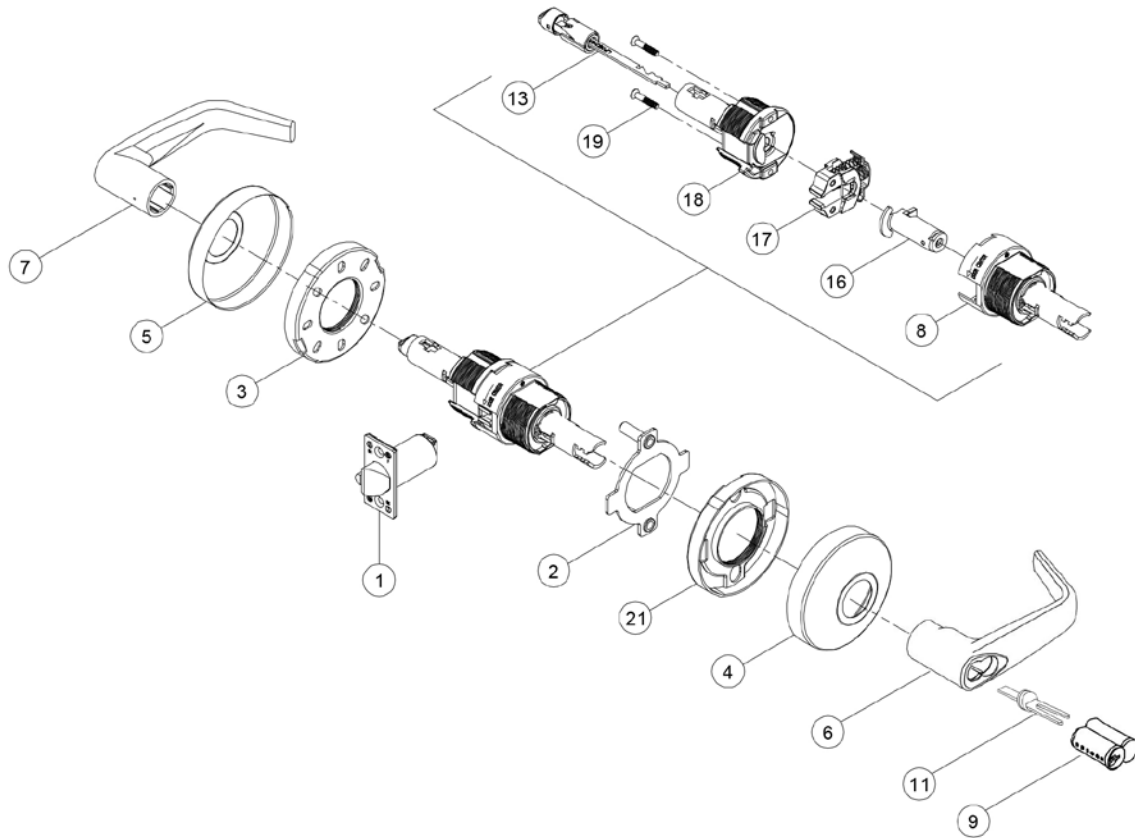
Item No.	Q'ty	Description
1	1	Deadlatch
2	1	Thru-bolt Retainer
3	1	Inside Rose Liner
4	1	Outside Rose
5	1	Inside Rose
6	1	Outside Lever
7	1	Inside Lever
8	1	Outside Hub - Entry / Office
9	1	SFIC Core

Item No.	Q'ty	Description
11	1	Throw Member
13	1	Turn / Push Button
16	1	Outside Keycam - Entry / Office
17	1	Retractor
18	1	Inside Hub - Entry / Office
19	2	Chassis Screws
21	1	Outside Rose Liner

# MB1A Series Service Manual

## 01(C)

### Clutch Entry / Office Lock



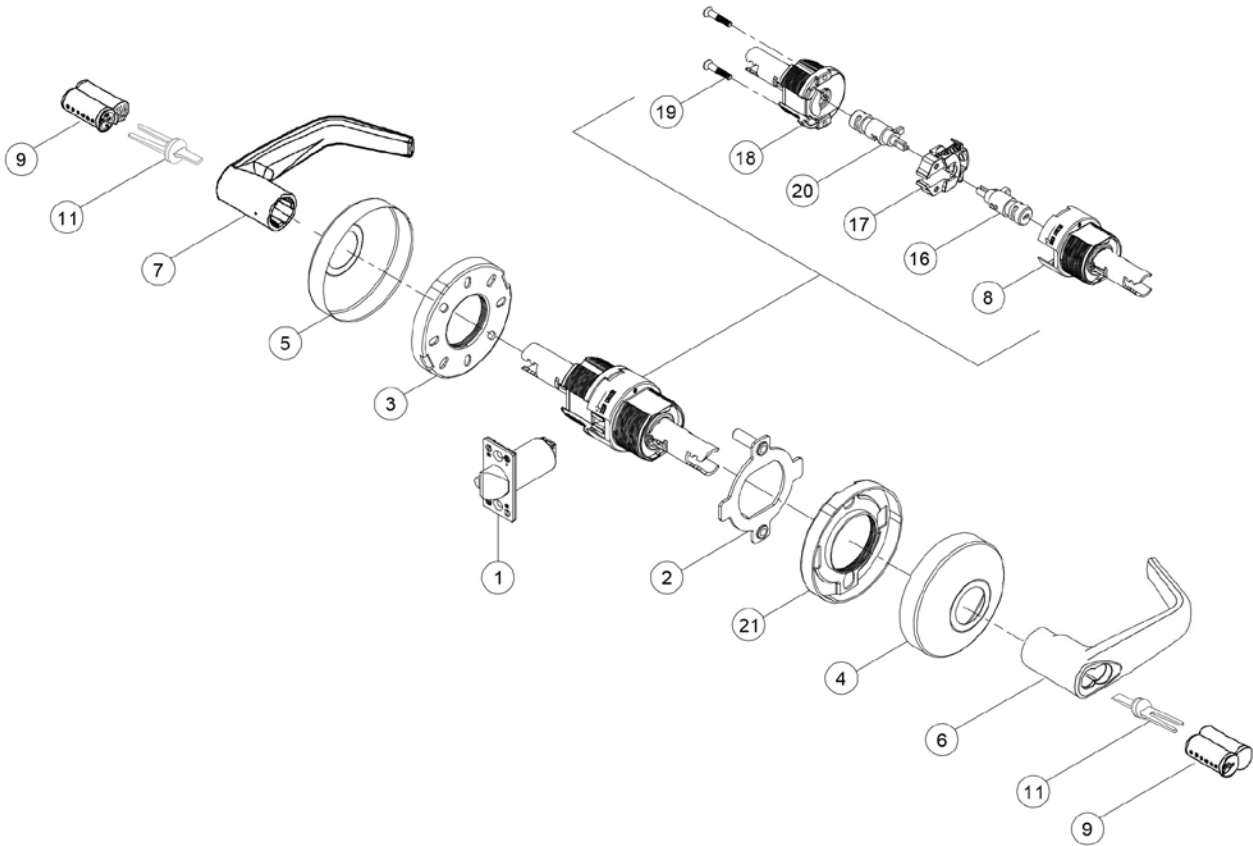
Item No.	Q'ty	Description
1	1	Deadlatch
2	1	Thru-bolt Retainer
3	1	Inside Rose Liner
4	1	Outside Rose
5	1	Inside Rose
6	1	Outside Lever
7	1	Inside Lever
8	1	Outside Hub - Clutch Entry / Office
9	1	SFIC Core

Item No.	Q'ty	Description
11	1	Throw Member
13	1	Turn / Push Button
16	1	Outside Keycam - Clutch Entry / Office
17	1	Retractor
18	1	Inside Hub - Clutch Entry / Office
19	2	Chassis Screws
21	1	Outside Rose Liner

# MB1A Series Service Manual

## 02

### Store Door Lock



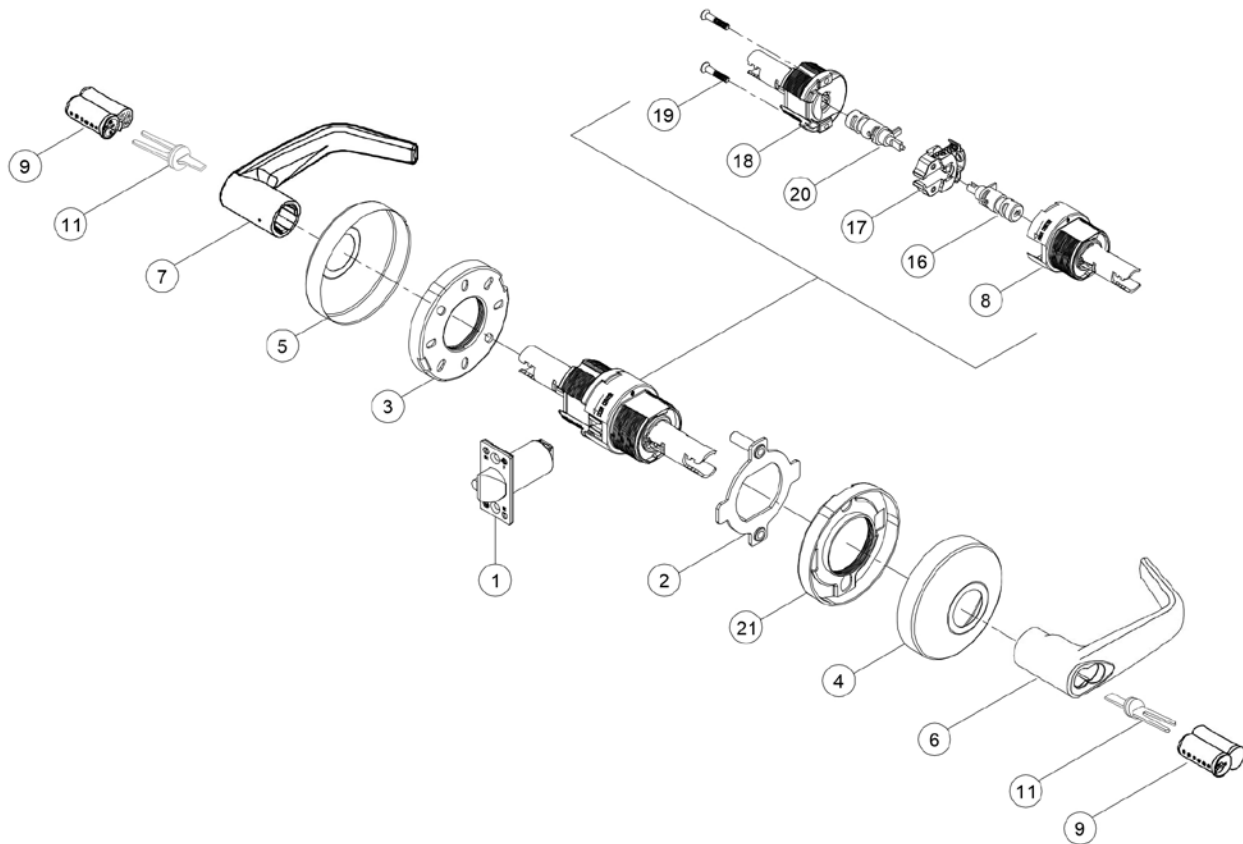
Item No.	Q'ty	Description
1	1	Deadlatch
2	1	Thru-bolt Retainer
3	1	Inside Rose Liner
4	1	Outside Rose
5	1	Inside Rose
6	1	Outside Lever
7	1	Inside Lever
8	1	Outside Hub - Store Door
9	2	SFIC Core

Item No.	Q'ty	Description
11	2	Throw Members
16	1	Outside Keycam - Store Door
17	1	Retractor
18	1	Inside Hub - Store Door
19	2	Chassis Screws
20	1	Inside Keycam - Store Door
21	1	Outside Rose Liner

# MB1A Series Service Manual

## 02(C)

### Clutch Store Door Lock



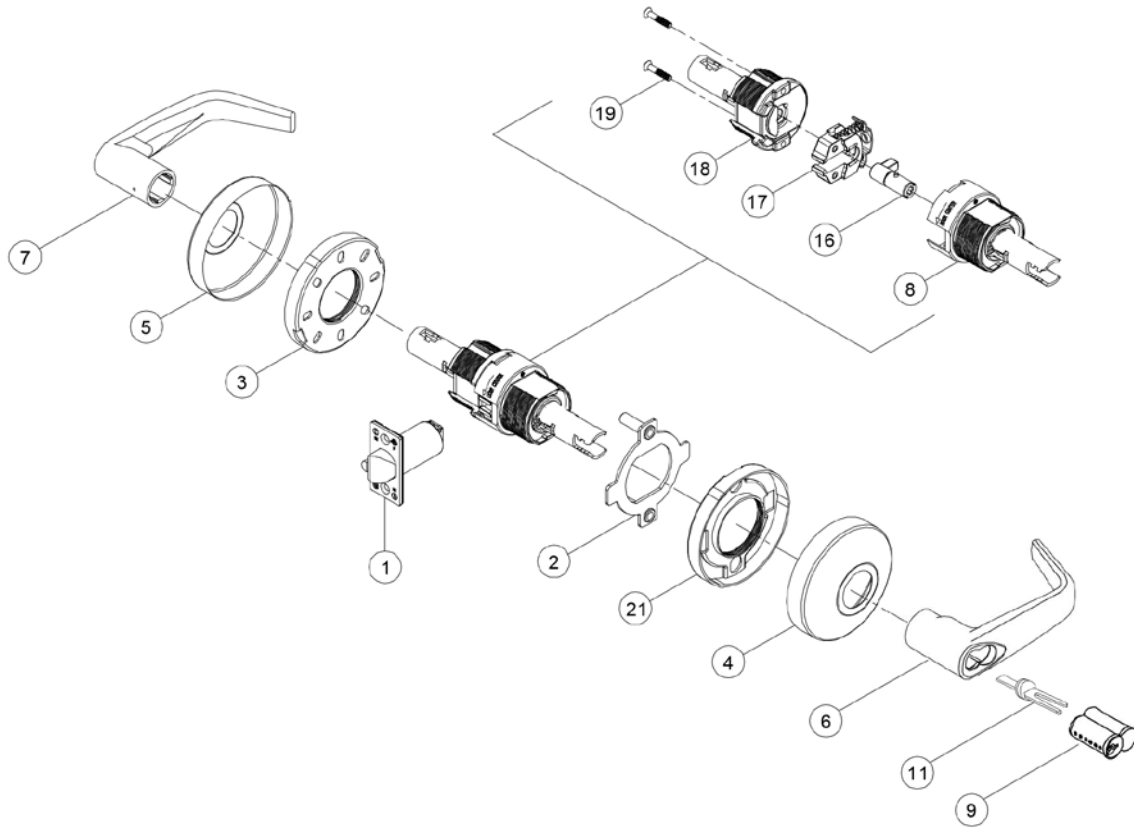
Item No.	Q'ty	Description
1	1	Deadlatch
2	1	Thru-bolt Retainer
3	1	Inside Rose Liner
4	1	Outside Rose
5	1	Inside Rose
6	1	Outside Lever
7	1	Inside Lever
8	1	Outside Hub - Clutch Store Door
9	2	SFIC Core

Item No.	Q'ty	Description
11	2	Throw Members
16	1	Outside Keycam - Clutch Store Door
17	1	Retractor
18	1	Inside Hub - Clutch Store Door
19	2	Chassis Screws
20	1	Inside Keycam - Clutch Store Door
21	1	Outside Rose Liner

# MB1A Series Service Manual

## 03

### Classroom Lock



Item No.	Q'ty	Description
1	1	Deadlatch
2	1	Thru-bolt Retainer
3	1	Inside Rose Liner
4	1	Outside Rose
5	1	Inside Rose
6	1	Outside Lever
7	1	Inside Lever
8	1	Outside Hub - Classroom

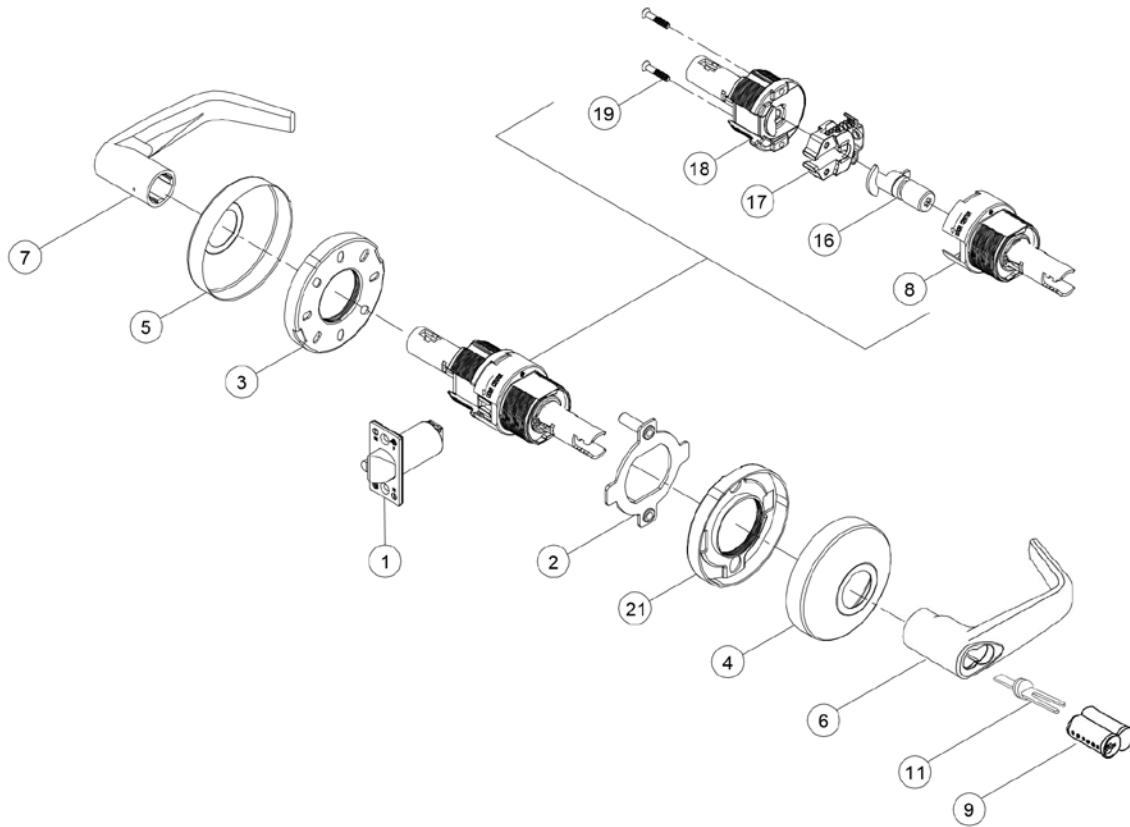
Item No.	Q'ty	Description
9	1	SFIC Core
11	1	Throw Member
16	1	Outside Keycam - Classroom
17	1	Retractor
18	1	Inside Hub - Classroom
19	2	Chassis Screws
21	1	Outside Rose Liner



# MB1A Series Service Manual

## 03(C)

### Clutch Classroom Lock



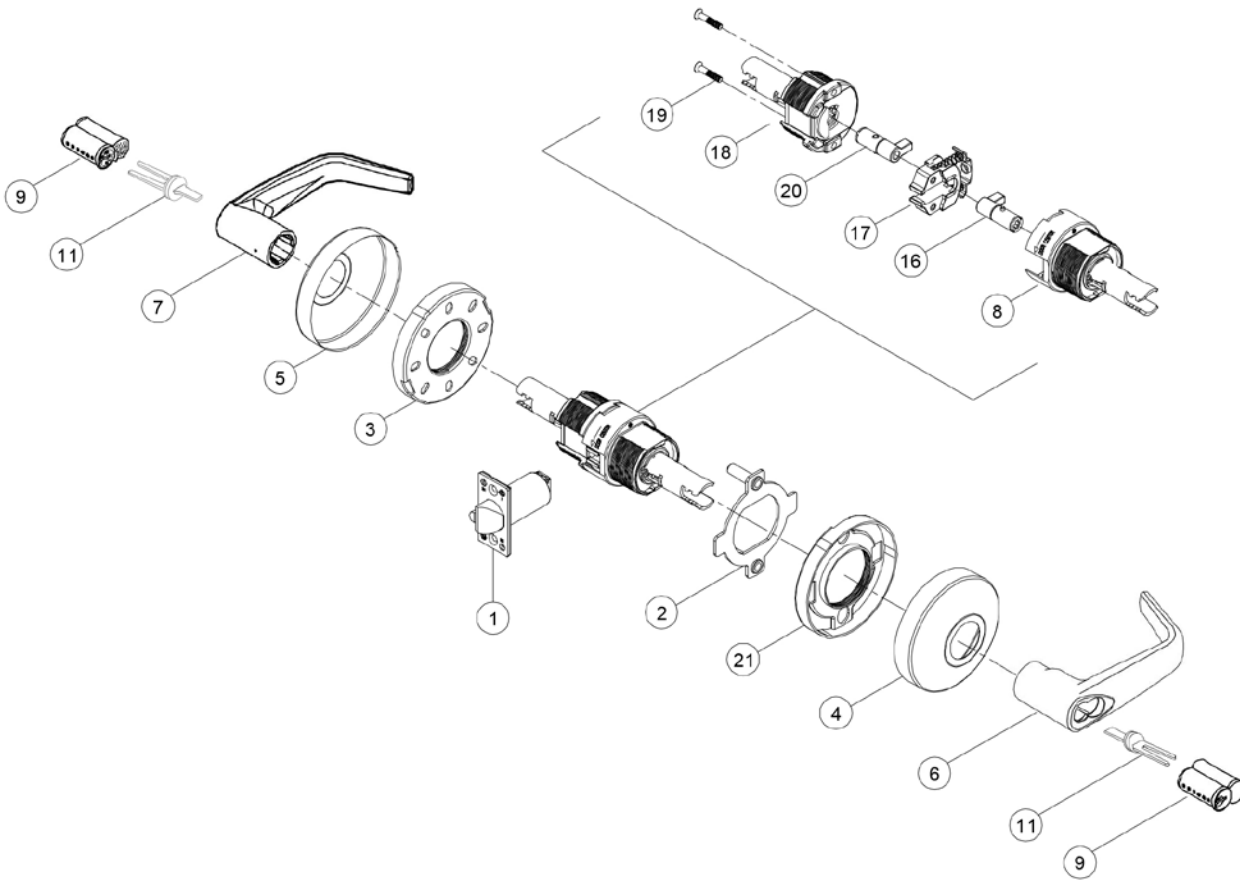
Item No.	Q'ty	Description
1	1	Deadlatch
2	1	Thru-bolt Retainer
3	1	Inside Rose Liner
4	1	Outside Rose
5	1	Inside Rose
6	1	Outside Lever
7	1	Inside Lever
8	1	Outside Hub - Clutch Classroom

Item No.	Q'ty	Description
9	1	SFIC Core
11	1	Throw Member
16	1	Outside Keycam - Clutch Classroom
17	1	Retractor
18	1	Inside Hub - Clutch Classroom
19	2	Chassis Screws
21	1	Outside Rose Liner

# MB1A Series Service Manual

## 04

### Communicating Lock



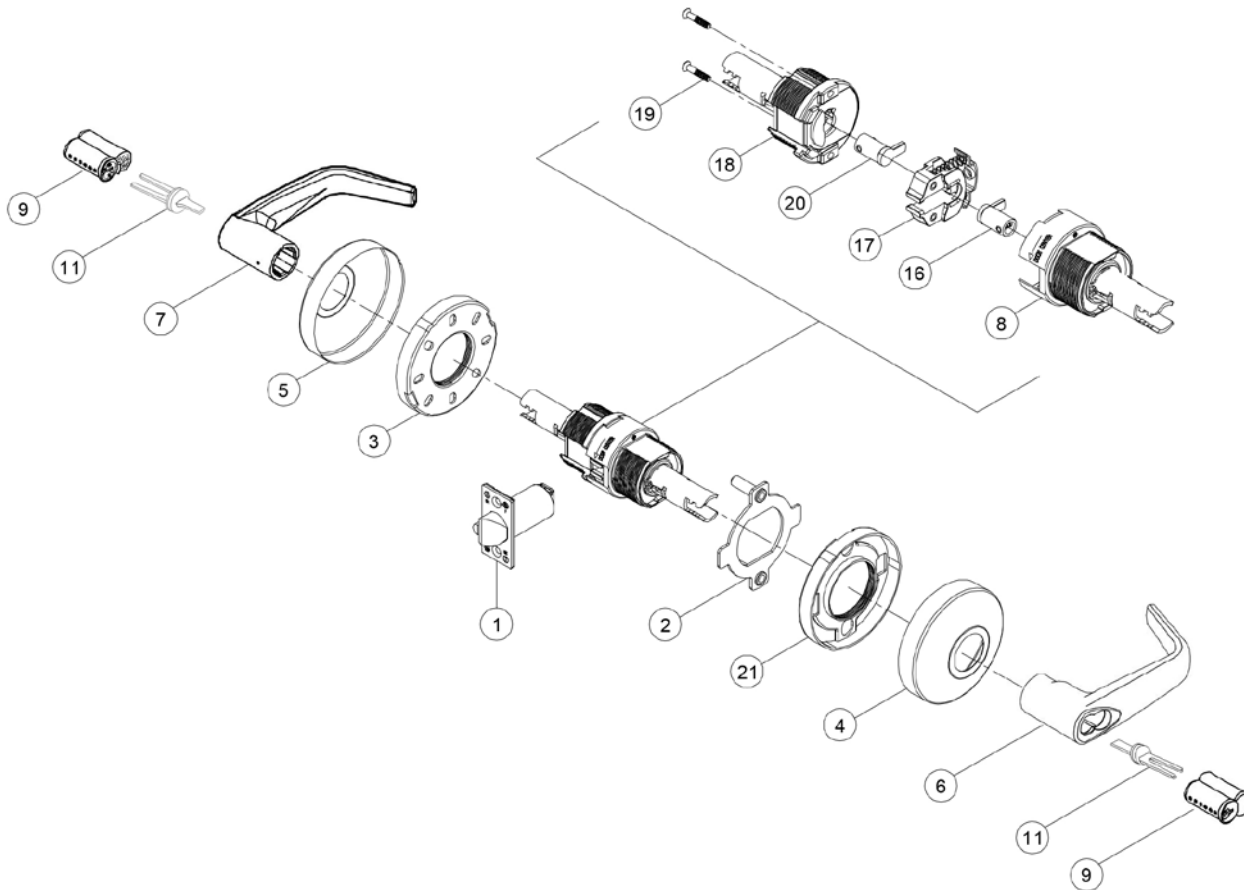
Item No.	Q'ty	Description
1	1	Deadlatch
2	1	Thru-bolt Retainer
3	1	Inside Rose Liner
4	1	Outside Rose
5	1	Inside Rose
6	1	Outside Lever
7	1	Inside Lever
8	1	Outside Hub - Communicating
9	2	SFIC Core

Item No.	Q'ty	Description
11	2	Throw Member
16	1	Outside Keycam - Communicating
17	1	Retractor
18	1	Inside Hub - Communicating
19	2	Chassis Screws
20	1	Inside Keycam
21	1	Outside Rose Liner

# MB1A Series Service Manual

## 04(C)

### Clutch Communicating Lock



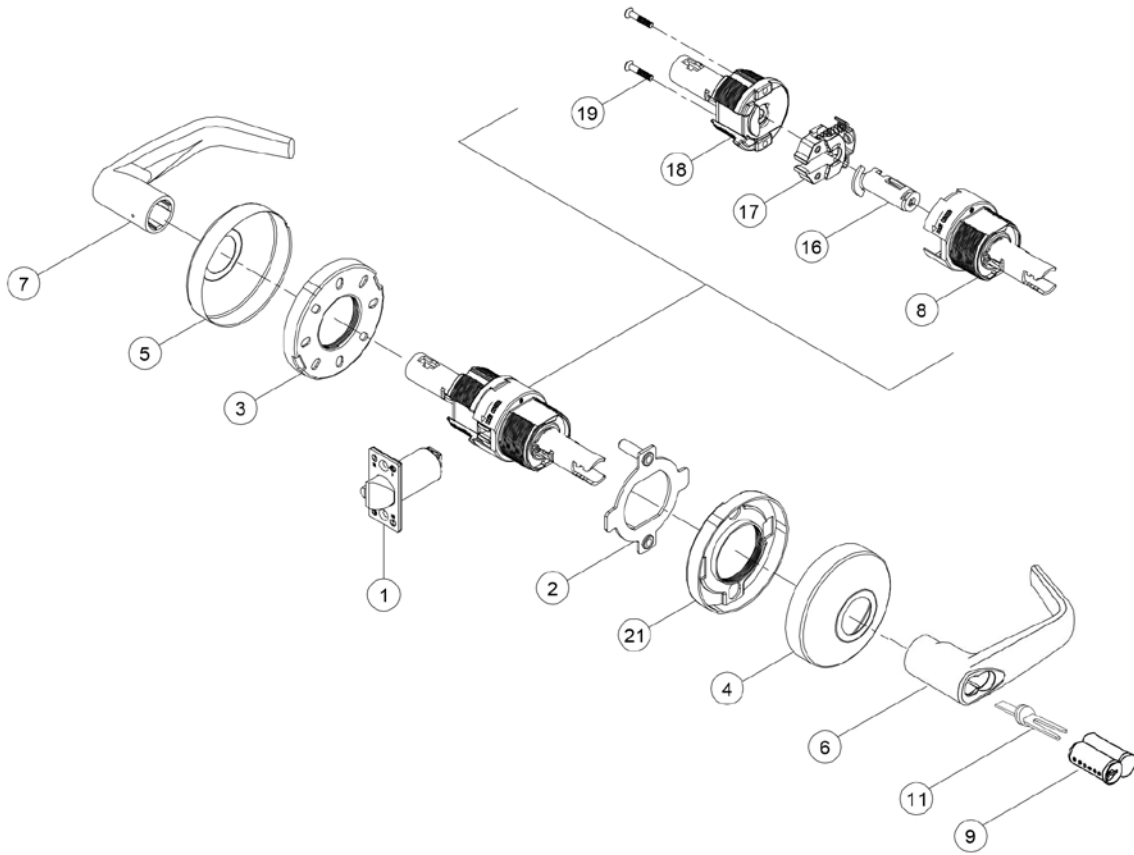
Item No.	Q'ty	Description
1	1	Deadlatch
2	1	Thru-bolt Retainer
3	1	Inside Rose Liner
4	1	Outside Rose
5	1	Inside Rose
6	1	Outside Lever
7	1	Inside Lever
8	1	Outside Hub - Clutch Communicating
9	2	SFIC Core

Item No.	Q'ty	Description
11	2	Throw Member
16	1	Outside Keycam - Clutch Communicating
17	1	Retractor
18	1	Inside Hub - Clutch Communicating
19	2	Chassis Screws
20	1	Inside Keycam
21	1	Outside Rose Liner

# MB1A Series Service Manual

## 05

### Storeroom Lock



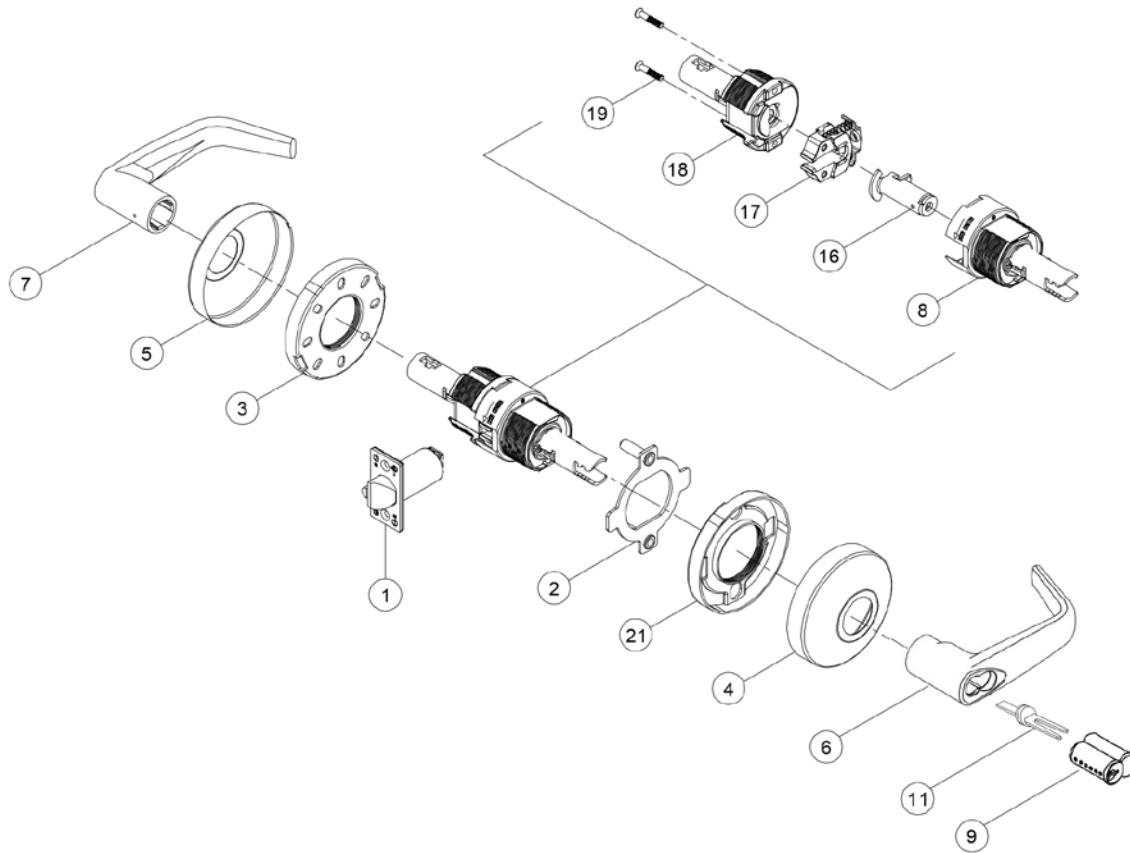
Item No.	Q'ty	Description
1	1	Deadlatch
2	1	Thru-bolt Retainer
3	1	Inside Rose Liner
4	1	Outside Rose
5	1	Inside Rose
6	1	Outside Lever
7	1	Inside Lever
8	1	Outside Hub - Storeroom

Item No.	Q'ty	Description
9	1	SFIC Core
11	1	Throw Member
16	1	Outside Keycam - Storeroom
17	1	Retractor
18	1	Inside Hub - Storeroom
19	2	Chassis Screws
21	1	Outside Rose Liner

# MB1A Series Service Manual

## 05(C)

### Clutch Storeroom Lock



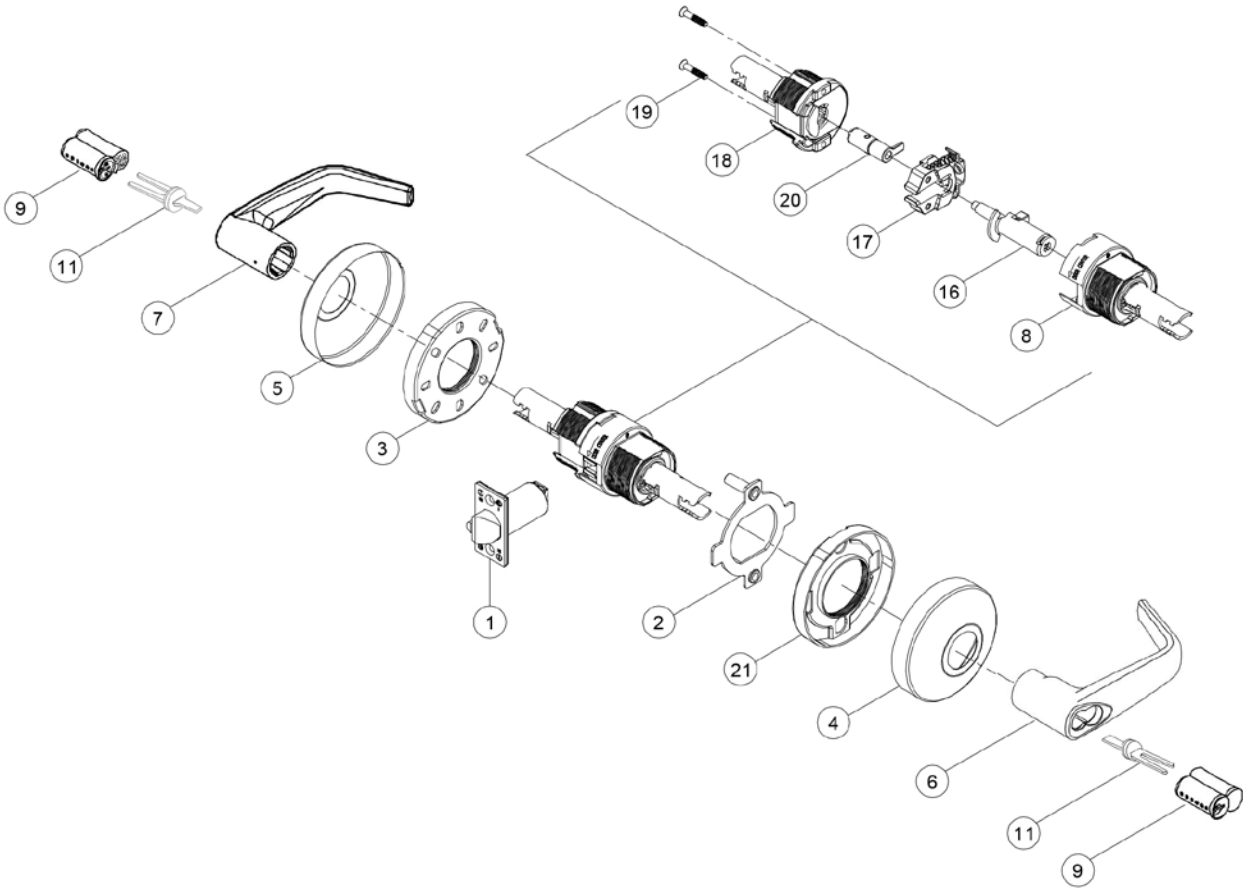
Item No.	Q'ty	Description
1	1	Deadlatch
2	1	Thru-bolt Retainer
3	1	Inside Rose Liner
4	1	Outside Rose
5	1	Inside Rose
6	1	Outside Lever
7	1	Inside Lever
8	1	Outside Hub - Clutch Storeroom

Item No.	Q'ty	Description
9	1	SFIC Core
11	1	Throw Member
16	1	Outside Keycam - Clutch Storeroom
17	1	Retractor
18	1	Inside Hub - Clutch Storeroom
19	2	Chassis Screws
21	1	Outside Rose Liner

# MB1A Series Service Manual

## 06

### Apartment Lock



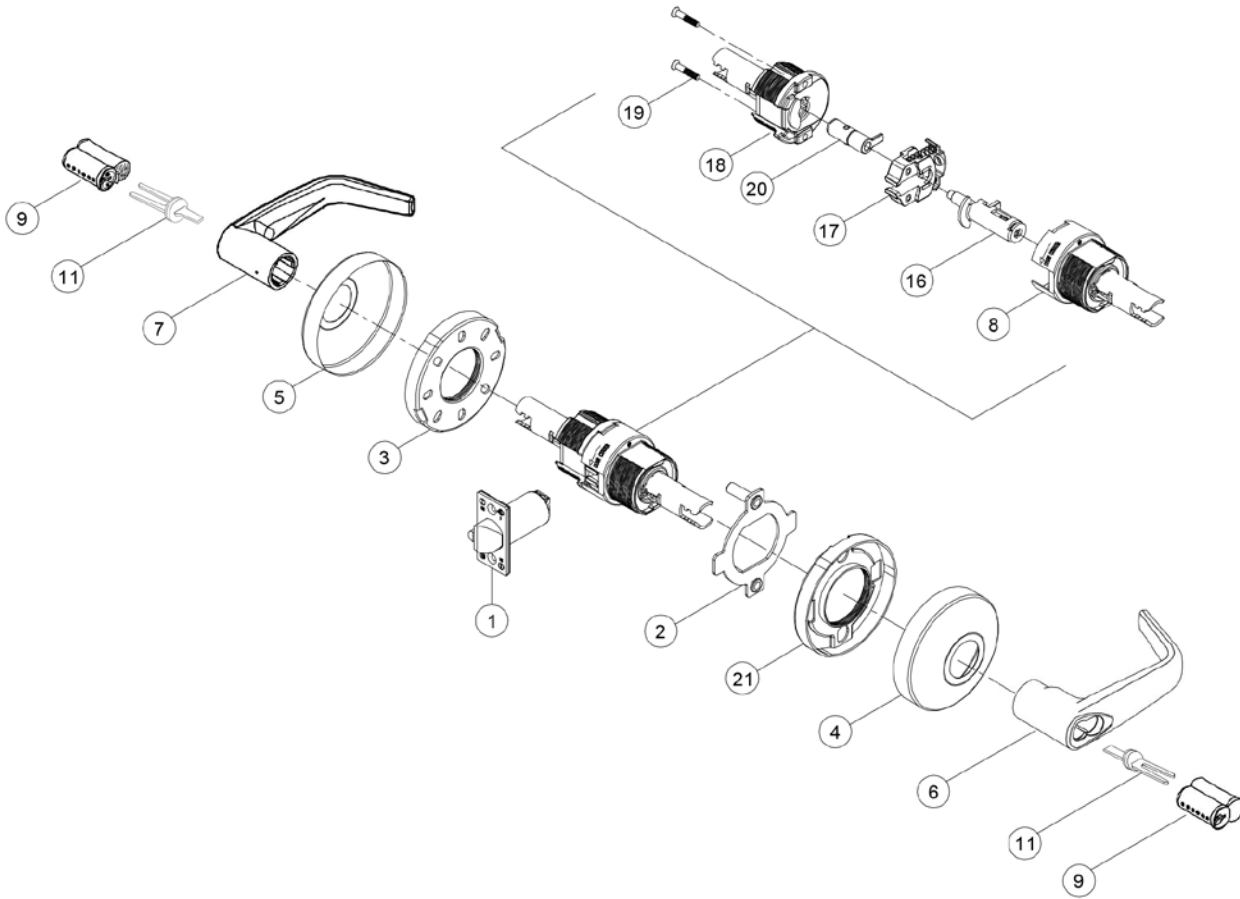
Item No.	Q'ty	Description
1	1	Deadlatch
2	1	Thru-bolt Retainer
3	1	Inside Rose Liner
4	1	Outside Rose
5	1	Inside Rose
6	1	Outside Lever
7	1	Inside Lever
8	1	Outside Hub - Apartment
9	2	SFIC Core

Item No.	Q'ty	Description
11	2	Throw Member
16	1	Outside Keycam - Apartment
17	1	Retractor
18	1	Inside Hub - Apartment
19	2	Chassis Screws
20	1	Inside Keycam - Apartment
21	1	Outside Rose Liner

# MB1A Series Service Manual

## 06(C)

### Clutch Apartment Lock



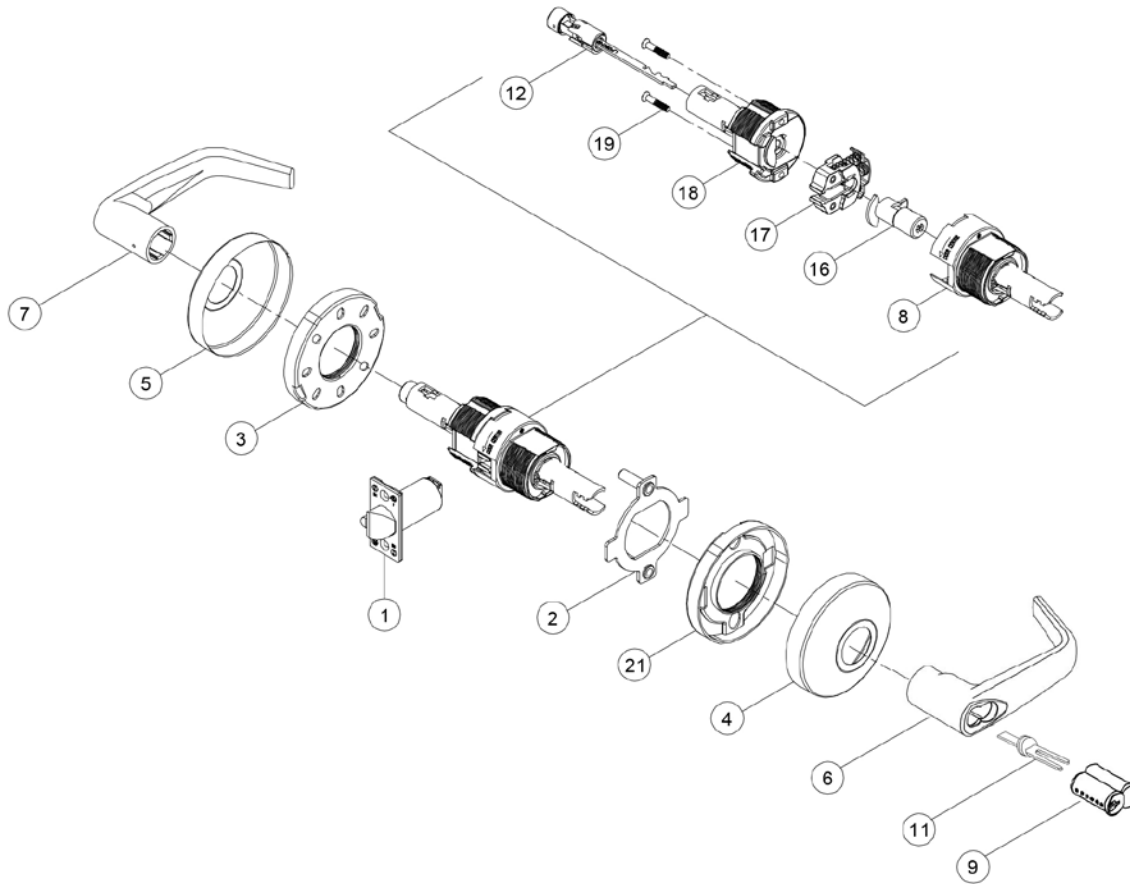
Item No.	Q'ty	Description
1	1	Deadlatch
2	1	Thru-bolt Retainer
3	1	Inside Rose Liner
4	1	Outside Rose
5	1	Inside Rose
6	1	Outside Lever
7	1	Inside Lever
8	1	Outside Hub - Clutch Apartment
9	2	SFIC Core

Item No.	Q'ty	Description
11	2	Throw Member
16	1	Outside Keycam - Clutch Apartment
17	1	Retractor
18	1	Inside Hub - Clutch Apartment
19	2	Chassis Screws
20	1	Inside Keycam - Clutch Apartment
21	1	Outside Rose Liner

# MB1A Series Service Manual

## 08

### Dormitory / Assistant Living Lock



Item No.	Q'ty	Description
1	1	Deadlatch
2	1	Thru-bolt Retainer
3	1	Inside Rose Liner
4	1	Outside Rose
5	1	Inside Rose
6	1	Outside Lever
7	1	Inside Lever
8	1	Outside Hub - Dormitory / Assistant Living
9	1	SFIC Core

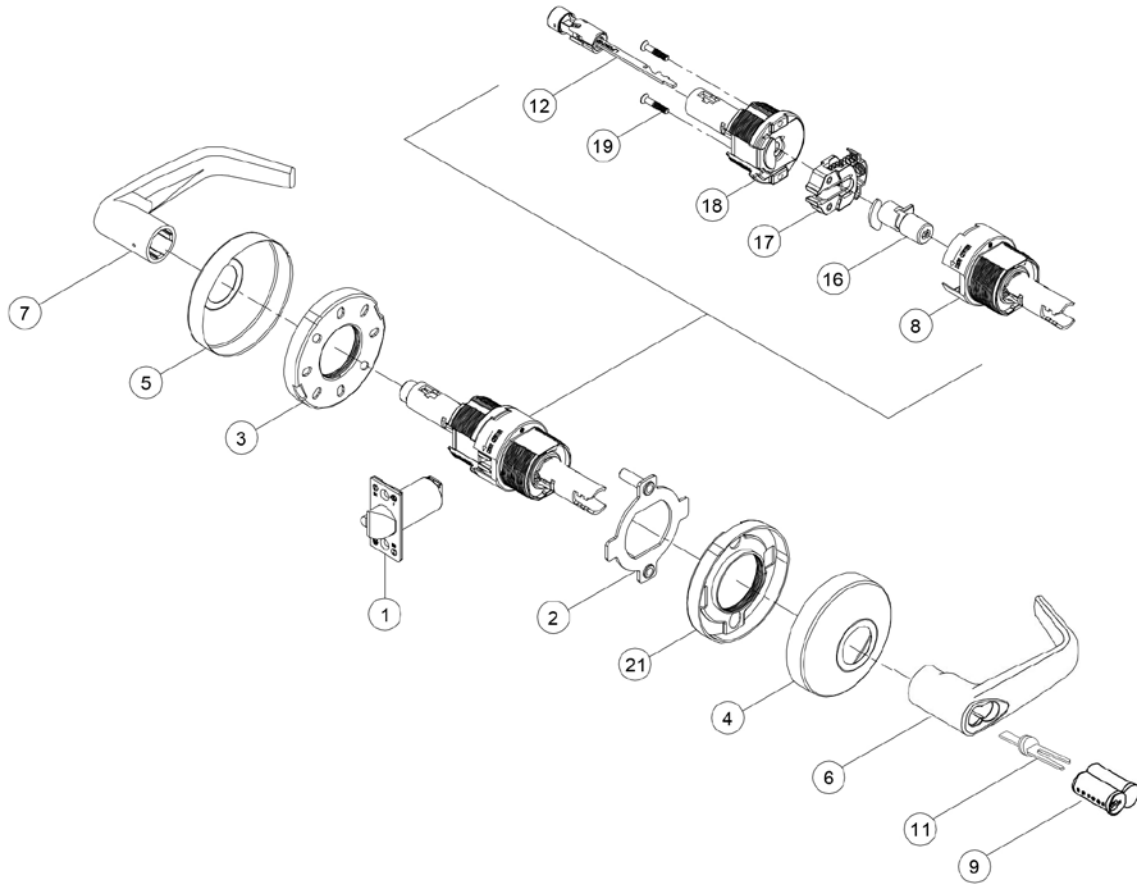
Item No.	Q'ty	Description
11	1	Throw Member
12	1	Push Button
16	1	Outside Keycam - Dormitory / Assistant Living
17	1	Retractor
18	1	Inside Hub - Dormitory / Assistant Living
19	2	Chassis Screws
21	1	Outside Rose Liner



# MB1A Series Service Manual

## 08(C)

### Clutch Dormitory / Assistant Living Lock



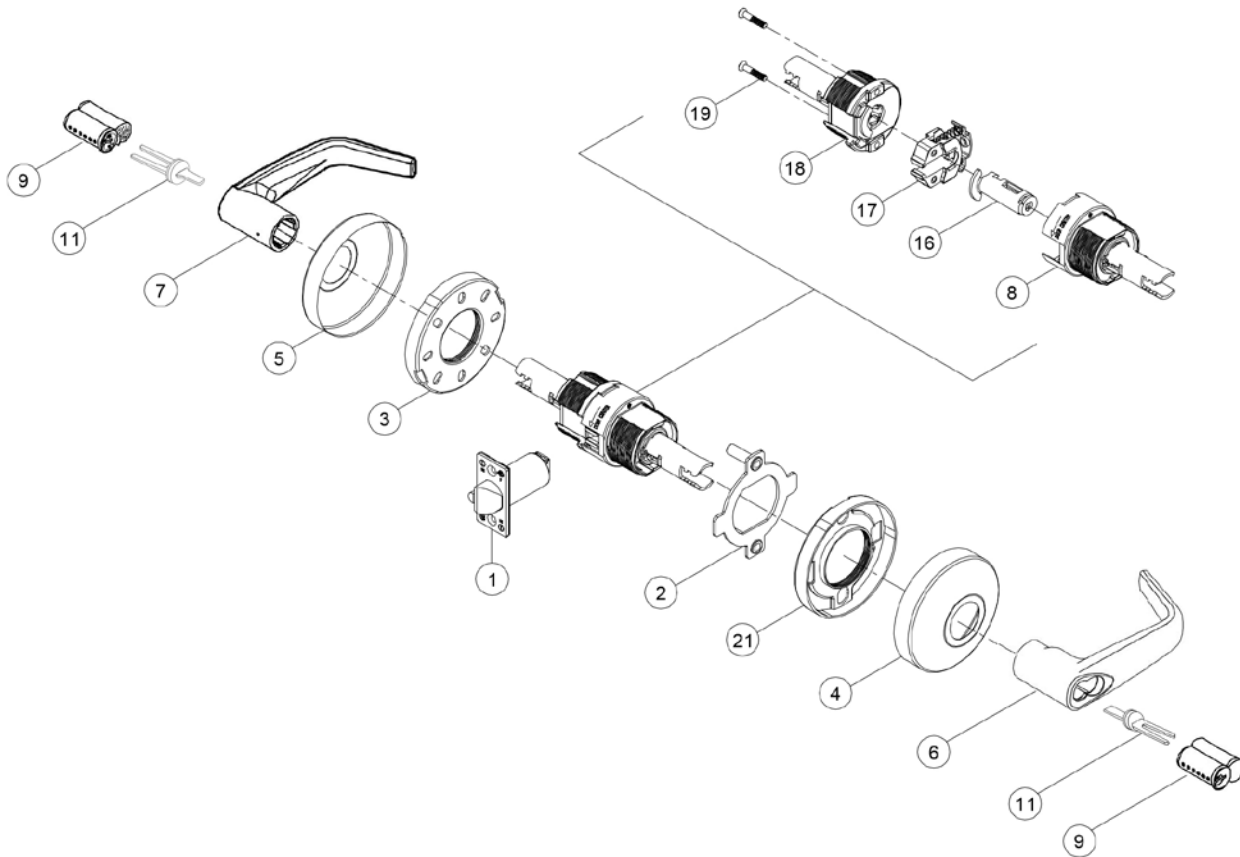
Item No.	Q'ty	Description
1	1	Deadlatch
2	1	Thru-bolt Retainer
3	1	Inside Rose Liner
4	1	Outside Rose
5	1	Inside Rose
6	1	Outside Lever
7	1	Inside Lever
8	1	Outside Hub - Clutch Dormitory / Assistant Living
9	1	SFIC Core

Item No.	Q'ty	Description
11	1	Throw Member
12	1	Push Button
16	1	Outside Keycam - Clutch Dormitory / Assistant Living
17	1	Retractor
18	1	Inside Hub - Clutch Dormitory / Assistant Living
19	2	Chassis Screws
21	1	Outside Rose Liner

# MB1A Series Service Manual

## 09

### Institution Lock



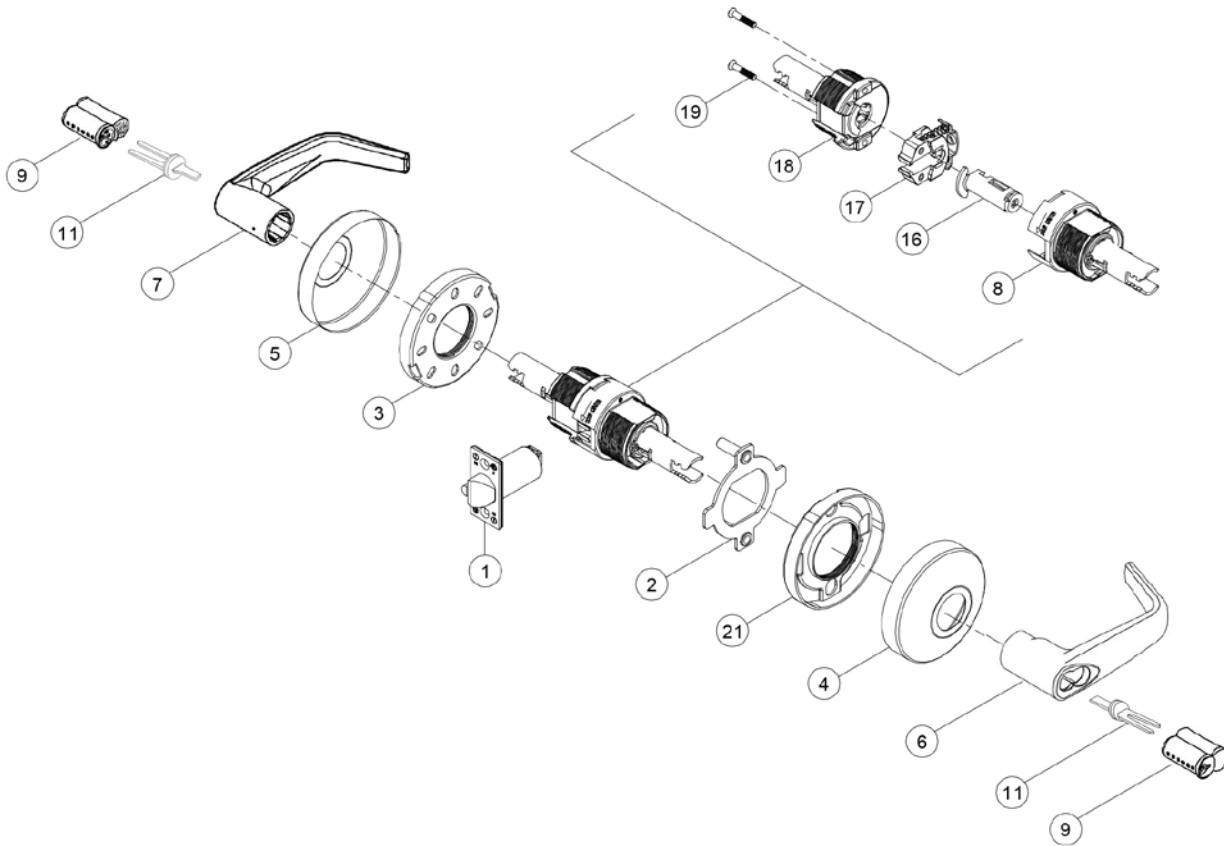
Item No.	Q'ty	Description
1	1	Deadlatch
2	1	Thru-bolt Retainer
3	1	Inside Rose Liner
4	1	Outside Rose
5	1	Inside Rose
6	1	Outside Lever
7	1	Inside Lever
8	1	Outside Hub - Institution

Item No.	Q'ty	Description
9	2	SFIC Core
11	2	Throw Members
16	1	Outside Keycam - Institution
17	1	Retractor
18	1	Inside Hub - Institution
19	2	Chassis Screws
21	1	Outside Rose Liner

# MB1A Series Service Manual

## 09(C)

### Clutch Institution Lock



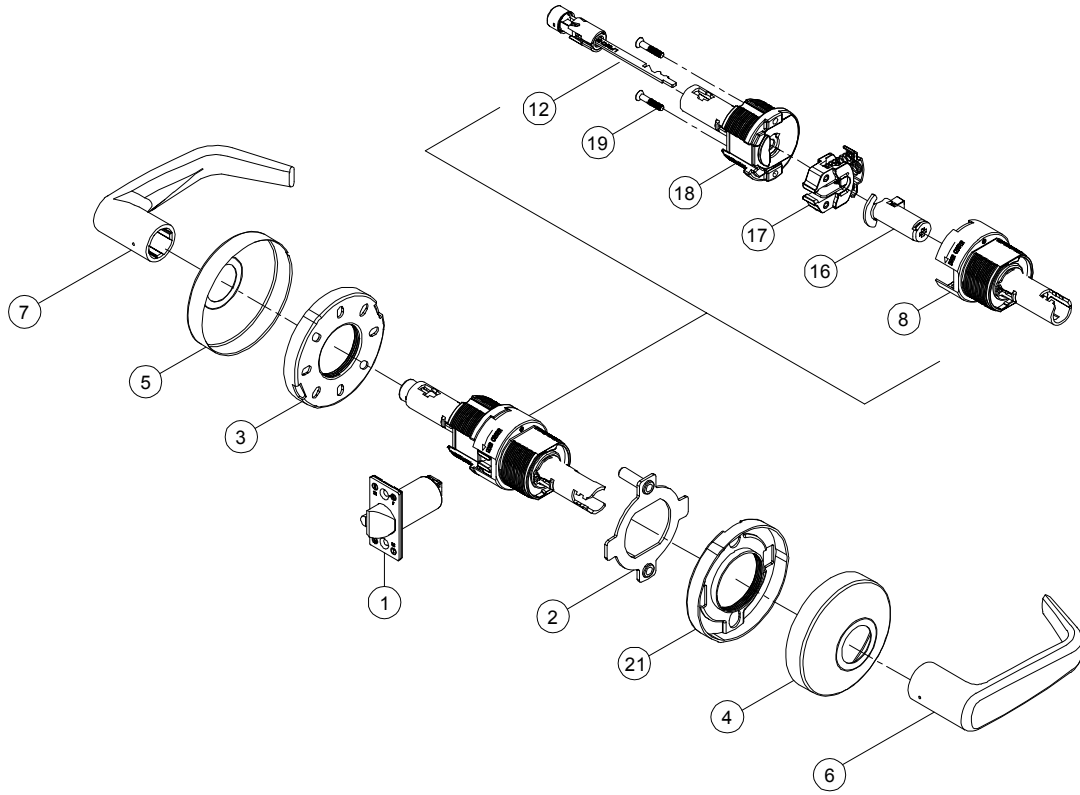
Item No.	Q'ty	Description
1	1	Deadlatch
2	1	Thru-bolt Retainer
3	1	Inside Rose Liner
4	1	Outside Rose
5	1	Inside Rose
6	1	Outside Lever
7	1	Inside Lever
8	1	Outside Hub - Clutch Institution

Item No.	Q'ty	Description
9	2	SFIC Core
11	2	Throw Member
16	1	Outside Keycam - Clutch Institution
17	1	Retractor
18	1	Inside Hub - Clutch Institution
19	2	Chassis Screws
21	1	Outside Rose Liner

# MB1A Series Service Manual

## 10

### Patio Lock



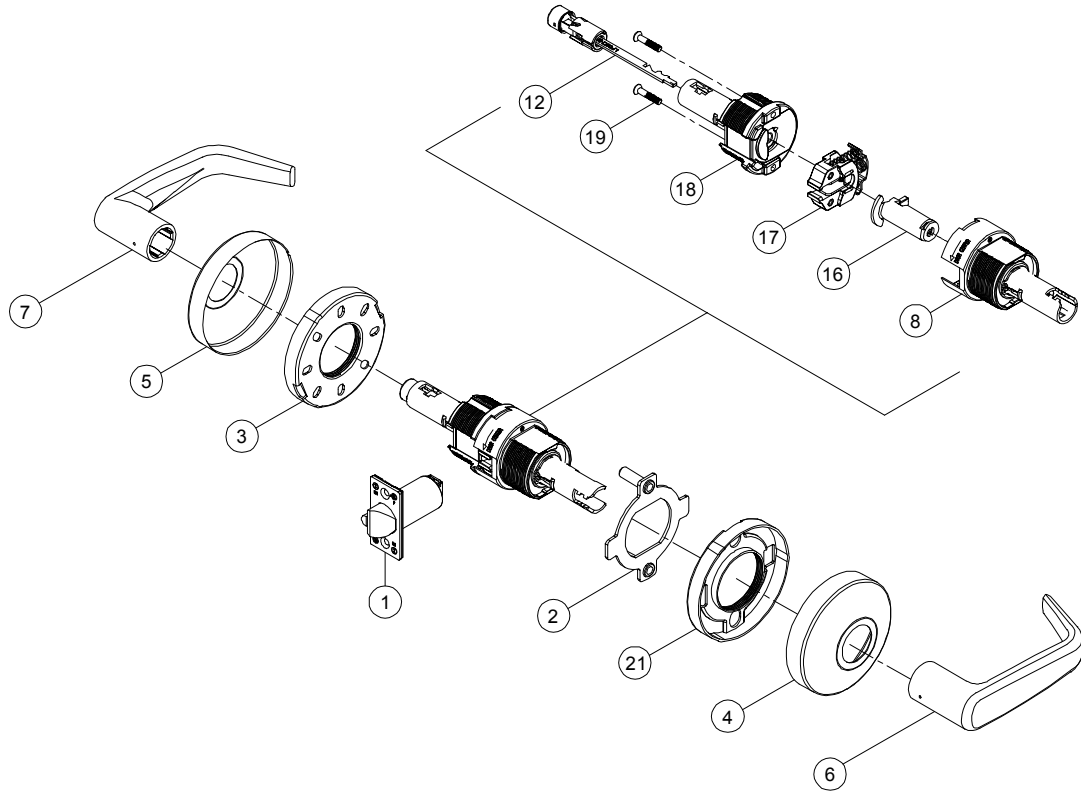
Item No.	Q'ty	Description
1	1	Deadlatch
2	1	Thru-bolt Retainer
3	1	Inside Rose Liner
4	1	Outside Rose
5	1	Inside Rose
6	1	Outside Lever
7	1	Inside Lever
8	1	Outside Hub - Patio

Item No.	Q'ty	Description
12	1	Push Button
16	1	Outside Keycam - Patio
17	1	Retractor
18	1	Inside Hub - Patio
19	2	Chassis Screws
21	1	Outside Rose Liner

# MB1A Series Service Manual

## 10(C)

### Clutch Patio Lock



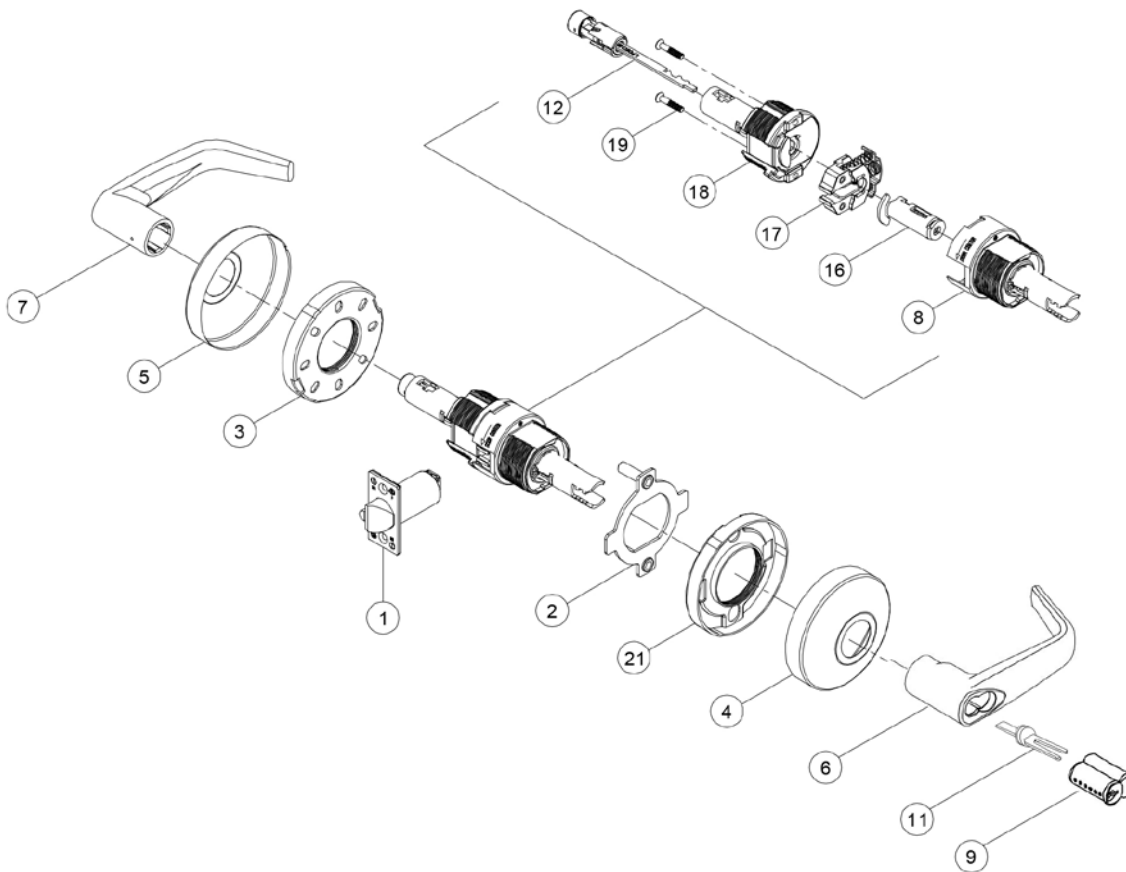
Item No.	Q'ty	Description
1	1	Deadlatch
2	1	Thru-bolt Retainer
3	1	Inside Rose Liner
4	1	Outside Rose
5	1	Inside Rose
6	1	Outside Lever
7	1	Inside Lever
8	1	Outside Hub - Clutch Patio

Item No.	Q'ty	Description
12	1	Push Button
16	1	Outside Keycam - Clutch Patio
17	1	Retractor
18	1	Inside Hub - Clutch Patio
19	2	Chassis Screws
21	1	Outside Rose Liner

# MB1A Series Service Manual

## H1

### Hotel / Motel Guest Room



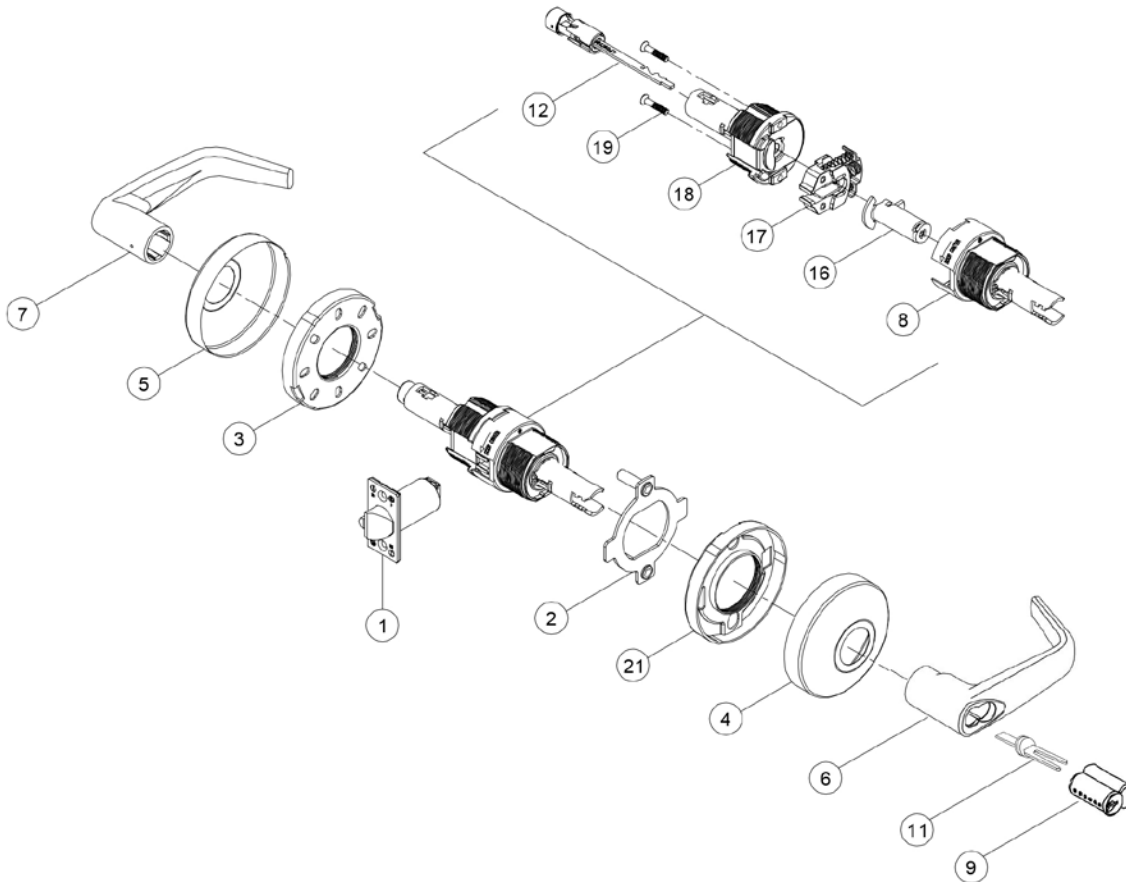
Item No.	Q'ty	Description
1	1	Deadlatch
2	1	Thru-bolt Retainer
3	1	Inside Rose Liner
4	1	Outside Rose
5	1	Inside Rose
6	1	Outside Lever
7	1	Inside Lever
8	1	Outside Hub - Hotel / Motel Guest
9	1	SFIC Core

Item No.	Q'ty	Description
11	1	Throw Member
12	1	Push Button
16	1	Outside Keycam - Hotel / Motel Guest
17	1	Retractor
18	1	Inside Hub - Hotel / Motel Guest
19	2	Chassis Screws
21	1	Outside Rose Liner

# MB1A Series Service Manual

## H1(C)

Clutch Hotel / Motel Guest Room

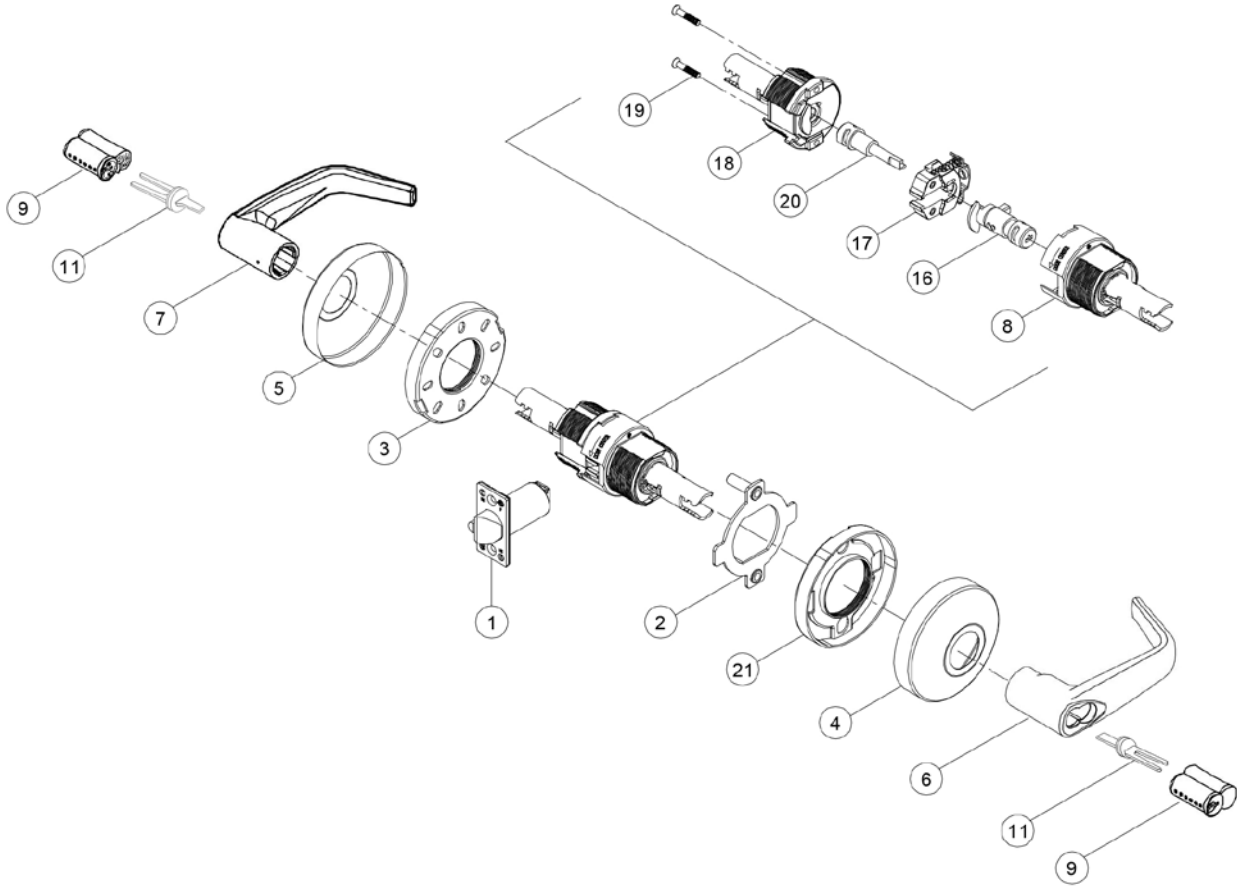


Item No.	Q'ty	Description
1	1	Deadlatch
2	1	Thru-bolt Retainer
3	1	Inside Rose Liner
4	1	Outside Rose
5	1	Inside Rose
6	1	Outside Lever
7	1	Inside Lever
8	1	Outside Hub - Clutch Hotel / Motel Guest
9	1	SFIC Core

Item No.	Q'ty	Description
11	1	Throw Member
12	1	Push Button
16	1	Outside Keycam - Clutch Hotel / Motel Guest
17	1	Retractor
18	1	Inside Hub - Clutch Hotel / Motel Guest
19	2	Chassis Screws
21	1	Outside Rose Liner

## 13

### Intruder Classroom / Security Lock



Item No.	Q'ty	Description
1	1	Deadlatch
2	1	Thru-bolt Retainer
3	1	Inside Rose Liner
4	1	Outside Rose
5	1	Inside Rose
6	1	Outside Lever
7	1	Inside Lever
8	1	Outside Hub - Intruder Classroom / Security
9	1	SFIC Core

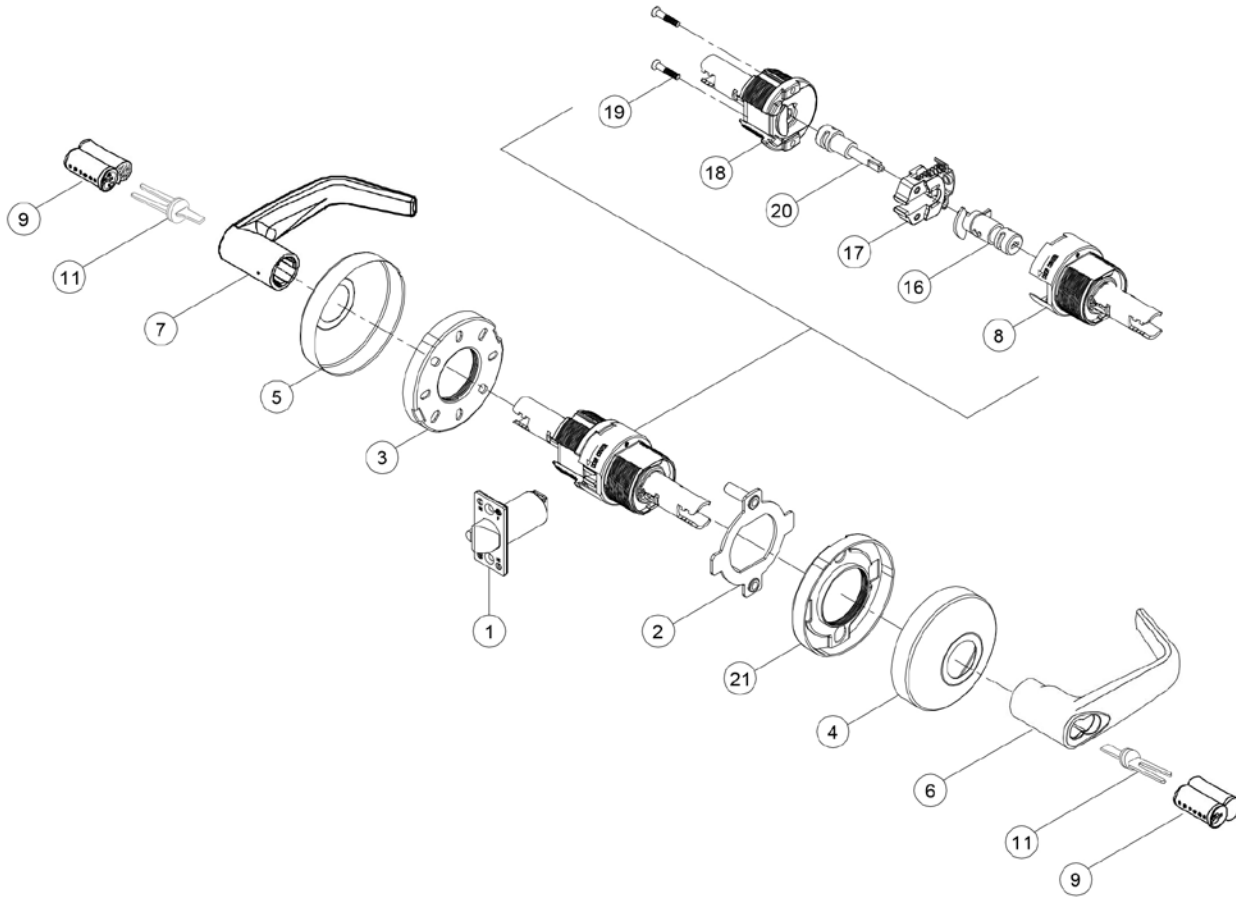
Item No.	Q'ty	Description
11	2	Throw Member
16	1	Outside Keycam - Intruder Classroom / Security
17	1	Retractor
18	1	Inside Hub - Intruder Classroom / Security
19	2	Chassis Screws
20	1	Inside Keycam - Intruder Classroom / Security
21	1	Outside Rose Liner



# MB1A Series Service Manual

## 13(C)

### Clutch Intruder Classroom / Security Lock



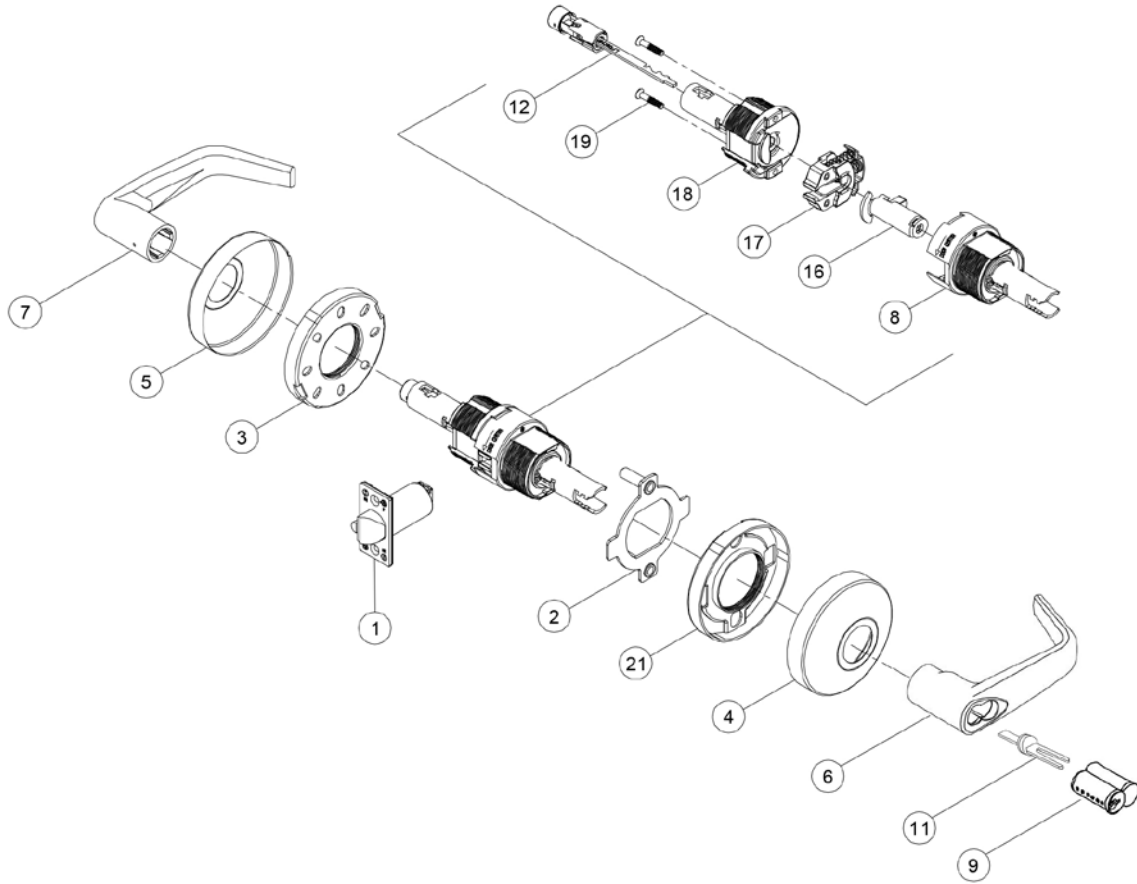
Item No.	Q'ty	Description
1	1	Deadlatch
2	1	Thru-bolt Retainer
3	1	Inside Rose Liner
4	1	Outside Rose
5	1	Inside Rose
6	1	Outside Lever
7	1	Inside Lever
8	1	Outside Hub - Clutch Intruder Classroom / Security
9	1	SFIC Core

Item No.	Q'ty	Description
11	2	Throw Member
16	1	Outside Keycam - Clutch Intruder Classroom / Security
17	1	Retractor
18	1	Inside Hub - Clutch Intruder Classroom / Security
19	2	Chassis Screws
20	1	Inside Keycam - Clutch Intruder Classroom / Security
21	1	Outside Rose Liner

# MB1A Series Service Manual

## 15

### Service Station



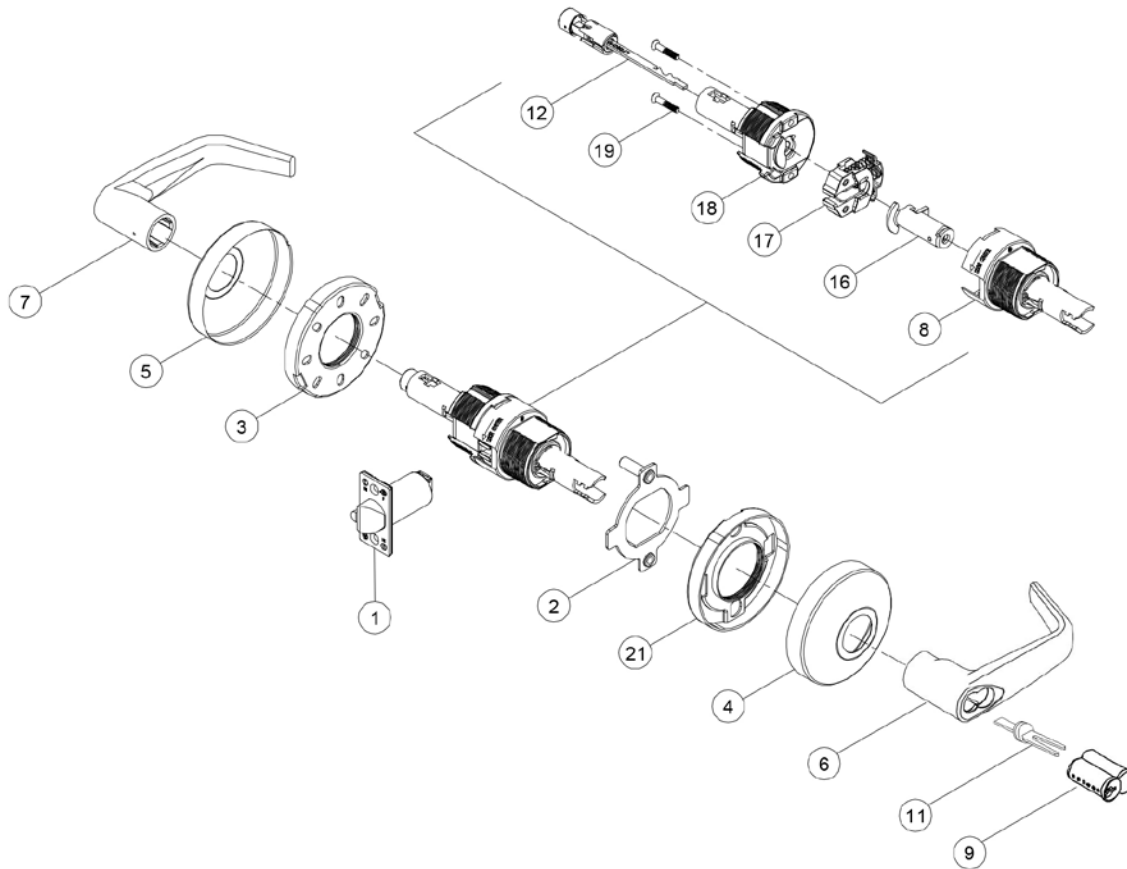
Item No.	Q'ty	Description
1	1	Deadlatch
2	1	Thru-bolt Retainer
3	1	Inside Rose Liner
4	1	Outside Rose
5	1	Inside Rose
6	1	Outside Lever
7	1	Inside Lever
8	1	Outside Hub - Service Station
9	1	SFIC Core

Item No.	Q'ty	Description
11	1	Throw Member
12	1	Push Button
16	1	Outside Keycam - Service Station
17	1	Retractor
18	1	Inside Hub - Service Station
19	2	Chassis Screws
21	1	Outside Rose Liner

# MB1A Series Service Manual

## 15(C)

### Clutch Service Station



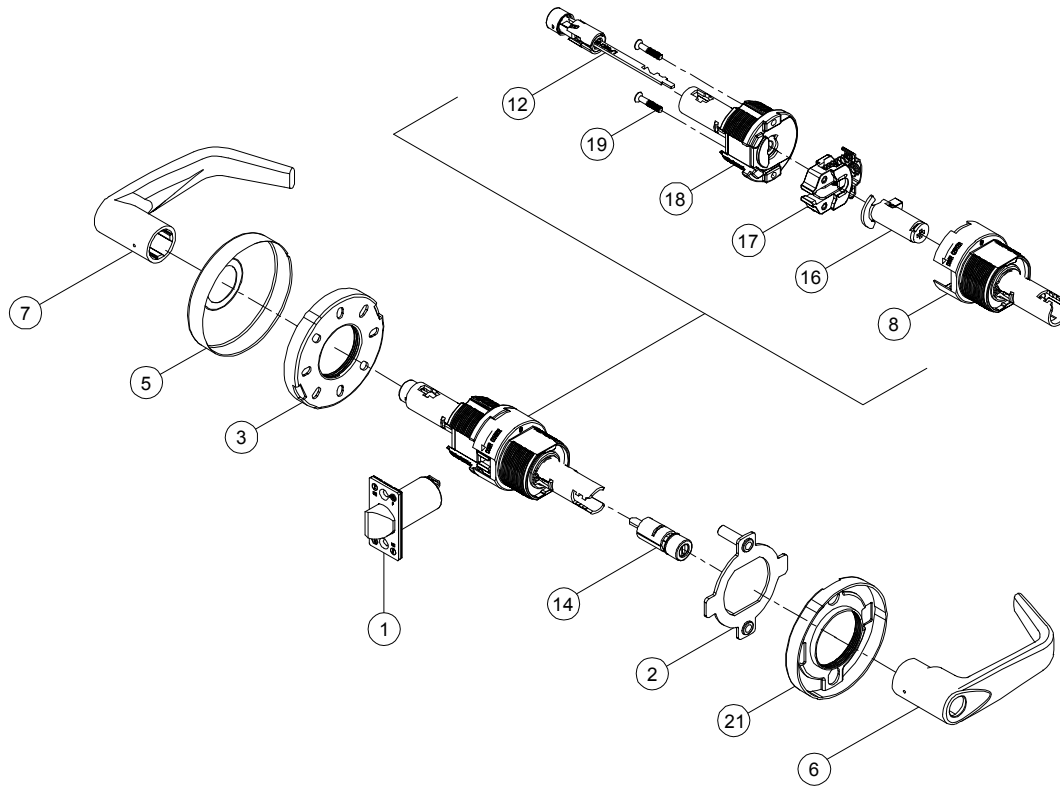
Item No.	Q'ty	Description
1	1	Deadlatch
2	1	Thru-bolt Retainer
3	1	Inside Rose Liner
4	1	Outside Rose
5	1	Inside Rose
6	1	Outside Lever
7	1	Inside Lever
8	1	Outside Hub - Clutch Service Station
9	1	SFIC Core

Item No.	Q'ty	Description
11	1	Throw Member
12	1	Push Button
16	1	Outside Keycam - Clutch Service Station
17	1	Retractor
18	1	Inside Hub - Clutch Service Station
19	2	Chassis Screws
21	1	Outside Rose Liner

# MB1A Series Service Manual

## 20

### Privacy Lock



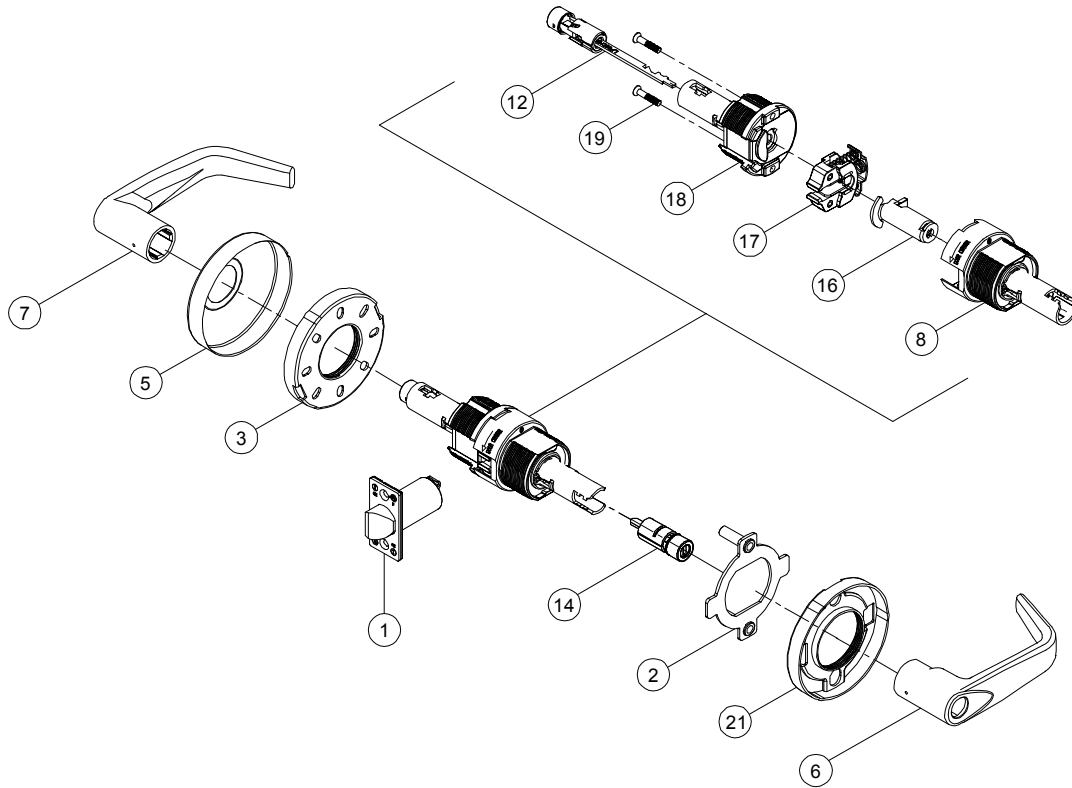
Item No.	Q'ty	Description
1	1	Springlatch
2	1	Thru-bolt Retainer
3	1	Inside Rose Liner
4	1	Outside Rose
5	1	Inside Rose
6	1	Outside Lever
7	1	Inside Lever
8	1	Outside Hub - Privacy

Item No.	Q'ty	Description
12	1	Push Button
14	1	Emergency Button
16	1	Outside Keycam - Privacy
17	1	Retractor
18	1	Inside Hub - Privacy
19	2	Chassis Screws
21	1	Outside Rose Liner

# MB1A Series Service Manual

## 20(C)

### Clutch Privacy Lock



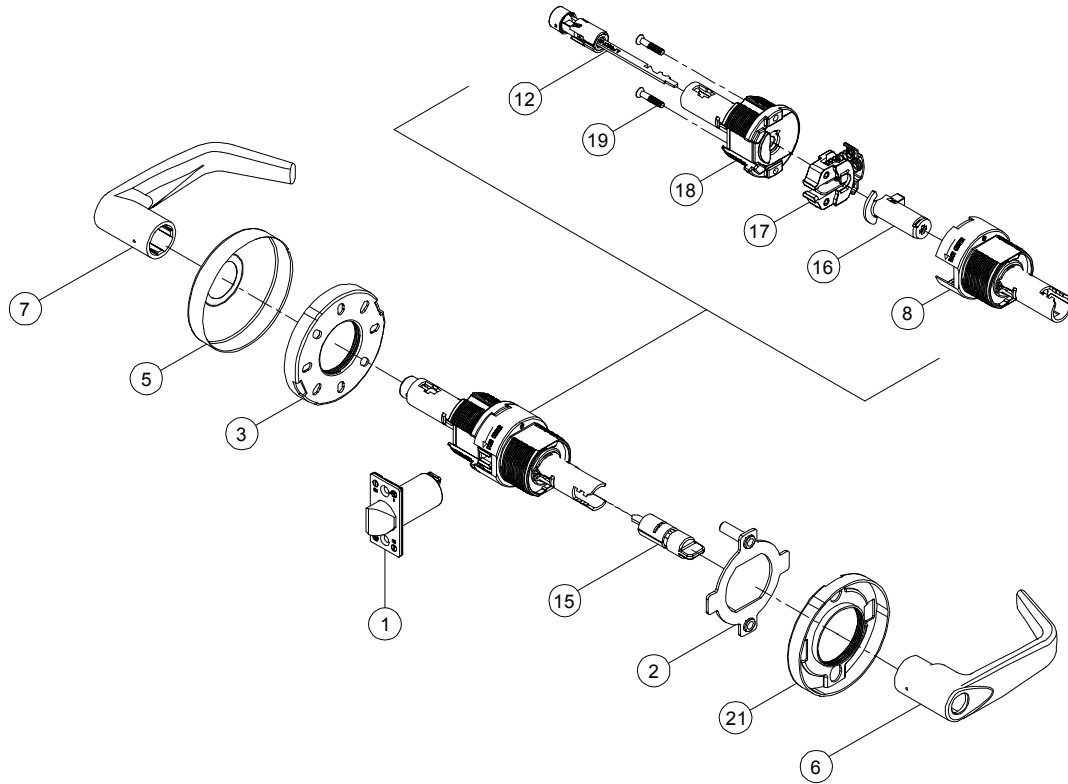
Item No.	Q'ty	Description
1	1	Springlatch
2	1	Thru-bolt Retainer
3	1	Inside Rose Liner
4	1	Outside Rose
5	1	Inside Rose
6	1	Outside Lever
7	1	Inside Lever
8	1	Outside Hub - Clutch Privacy

Item No.	Q'ty	Description
12	1	Push Button
14	1	Emergency Button
16	1	Outside Keycam - Clutch Privacy
17	1	Retractor
18	1	Inside Hub - Clutch Privacy
19	2	Chassis Screws
21	1	Outside Rose Liner

# MB1A Series Service Manual

## 21

### Hospital Privacy Lock



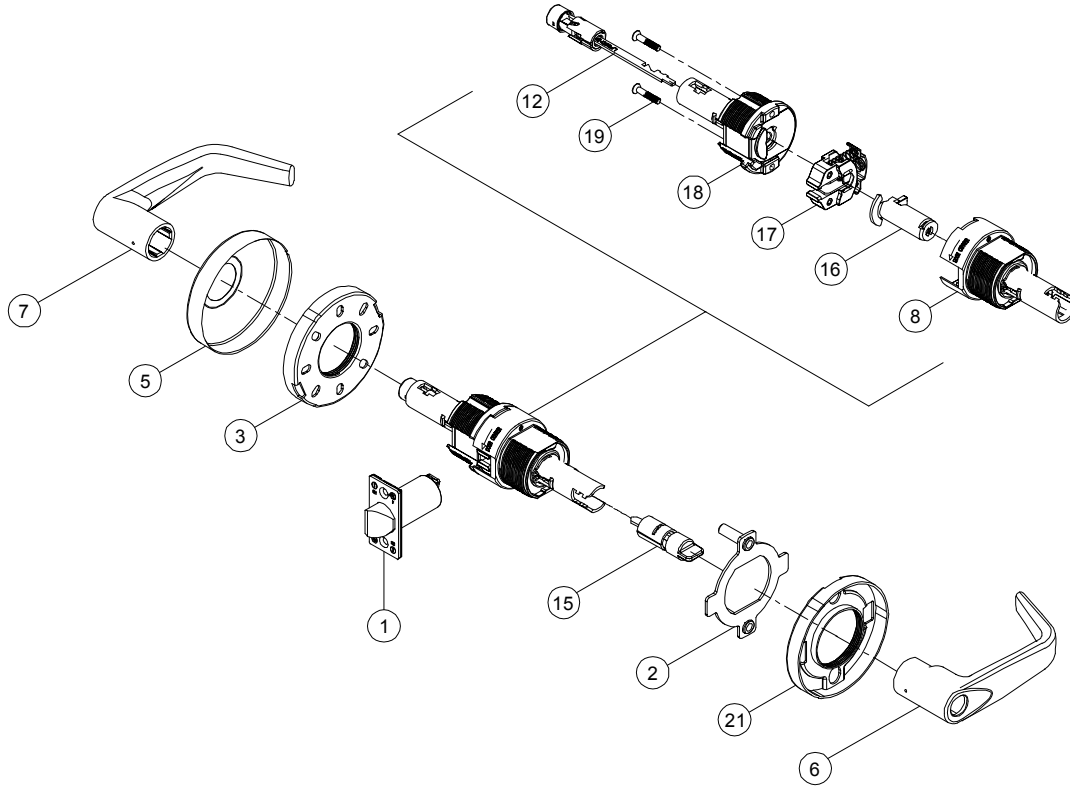
Item No.	Q'ty	Description
1	1	Springlatch
2	1	Thru-bolt Retainer
3	1	Inside Rose Liner
4	1	Outside Rose
5	1	Inside Rose
6	1	Outside Lever
7	1	Inside Lever
8	1	Outside Hub - Hospital Privacy

Item No.	Q'ty	Description
12	1	Push Button
15	1	Turn Emergency Button
16	1	Outside Keycam - Hospital Privacy
17	1	Retractor
18	1	Inside Hub - Hospital Privacy
19	2	Chassis Screws
21	1	Outside Rose Liner

# MB1A Series Service Manual

## 21(C)

### Clutch Hospital Privacy Lock



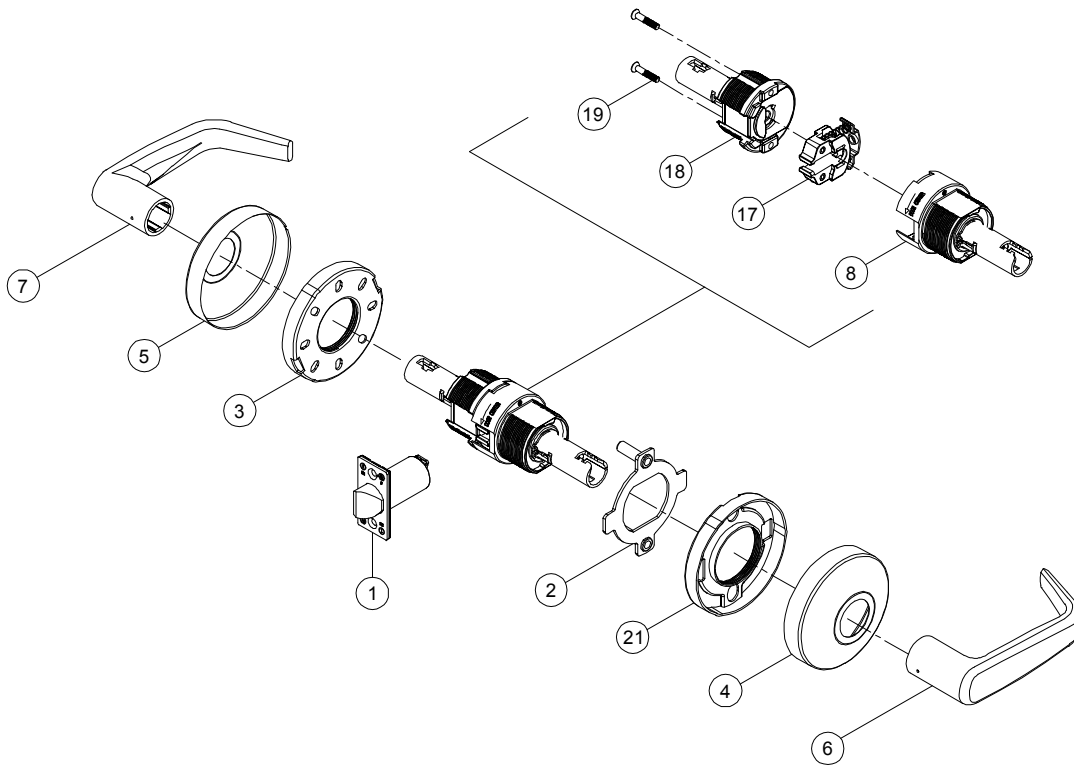
Item No.	Q'ty	Description
1	1	Springlatch
2	1	Thru-bolt Retainer
3	1	Inside Rose Liner
4	1	Outside Rose
5	1	Inside Rose
6	1	Outside Lever
7	1	Inside Lever
8	1	Outside Hub - Clutch Hospital Privacy

Item No.	Q'ty	Description
12	1	Push Button
15	1	Turn Emergency Button
16	1	Outside Keycam - Clutch Hospital Privacy
17	1	Retractor
18	1	Inside Hub - Clutch Hospital Privacy
19	2	Chassis Screws
21	1	Outside Rose Liner

# MB1A Series Service Manual

## 30

### Passage Lock



Item No.	Q'ty	Description
1	1	Springlatch
2	1	Thru-bolt Retainer
3	1	Inside Rose Liner
4	1	Outside Rose
5	1	Inside Rose
6	1	Outside Lever
7	1	Inside Lever
8	1	Outside Hub - Passage

Item No.	Q'ty	Description
17	1	Retractor
18	1	Inside Hub - Passage
19	2	Chassis Screws
21	1	Outside Rose Liner

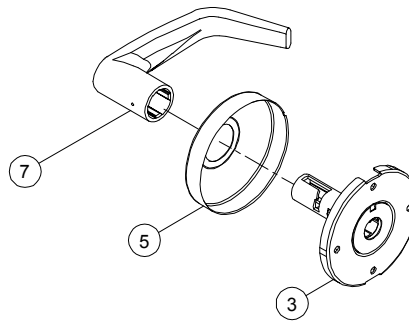


# MB1A Series Service Manual

---

## 40

### Single Dummy Trim

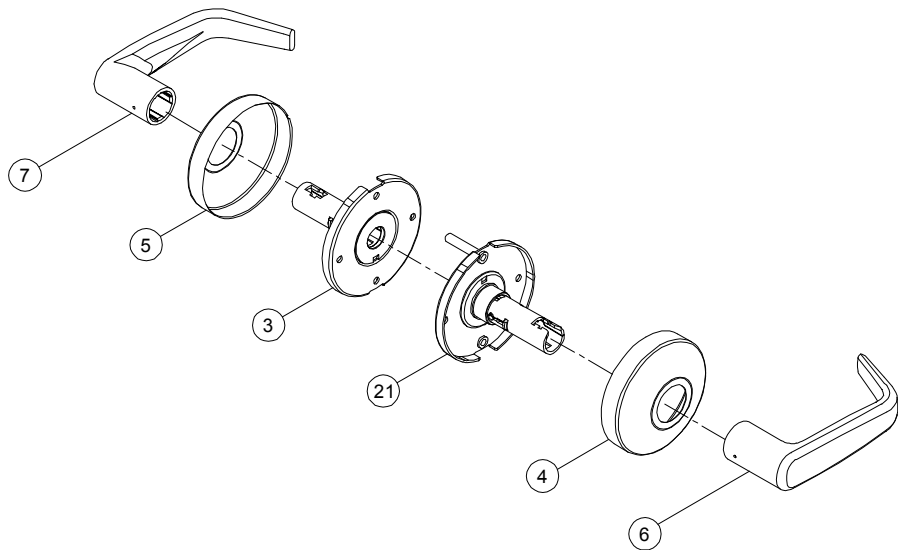


Item No.	Q'ty	Description
3	1	Inside Rose Liner
5	1	Inside Rose
7	1	Inside Lever

Item No.	Q'ty	Description

## 42

### Double Dummy Trim

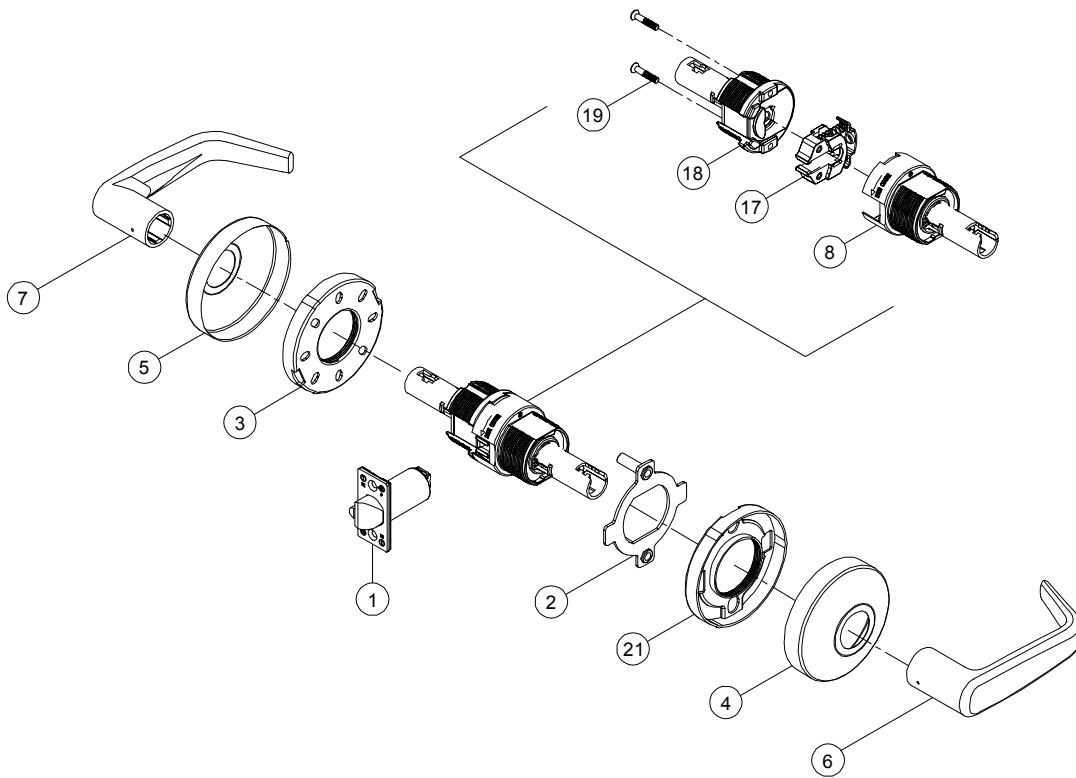


Item No.	Q'ty	Description
3	1	Inside Rose Liner
4	1	Outside Rose
5	1	Inside Rose
6	1	Outside Lever
7	1	Inside Lever
21	1	Outside Rose Liner

Item No.	Q'ty	Description

## 50

### Exit Latch



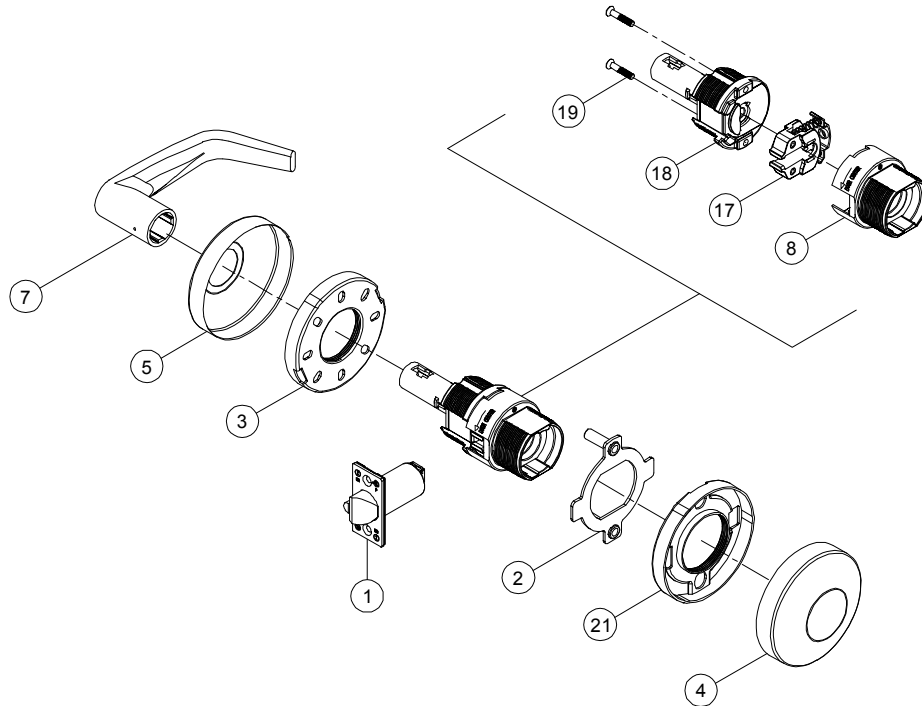
Item No.	Q'ty	Description
1	1	Deadlatch
2	1	Thru-bolt Retainer
3	1	Inside Rose Liner
4	1	Outside Rose
5	1	Inside Rose
6	1	Outside Lever
7	1	Inside Lever
8	1	Outside Hub - Exit Latch

Item No.	Q'ty	Description
17	1	Retractor
18	1	Inside Hub - Exit Latch
19	2	Chassis Screws
21	1	Outside Rose Liner

# MB1A Series Service Manual

## 60

### Communicating Passage Lock



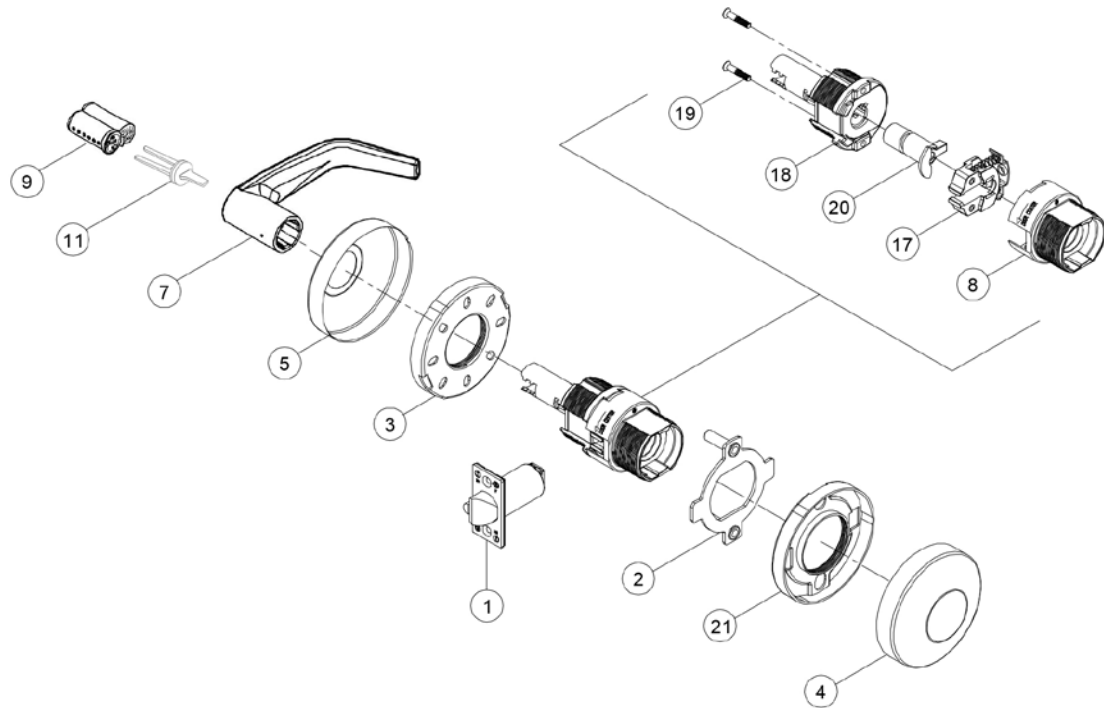
Item No.	Q'ty	Description
1	1	Deadlatch
2	1	Thru-bolt Retainer
3	1	Inside Rose Liner
4	1	Outside Rose - Blank
5	1	Inside Rose
7	1	Inside Lever
8	1	Outside Hub - Communicating Passage
17	1	Retractor

Item No.	Q'ty	Description
18	1	Inside Hub - Communicating Passage
19	2	Chassis Screws
21	1	Outside Rose Liner

# MB1A Series Service Manual

## 63

### Communicating Classroom Lock



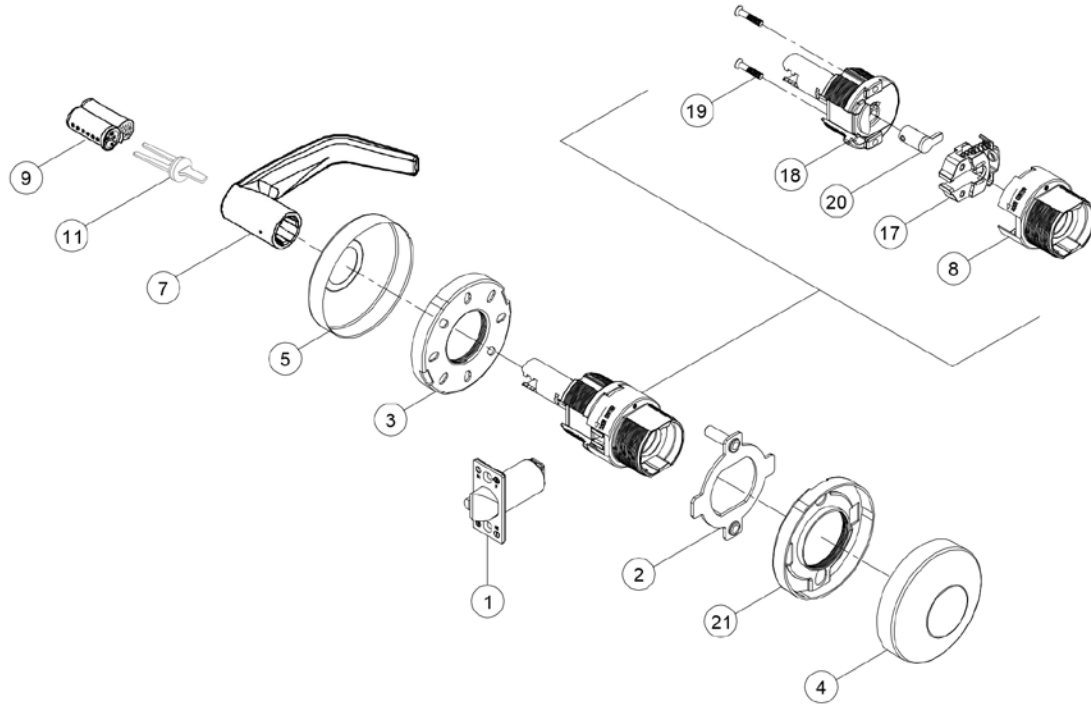
Item No.	Q'ty	Description
1	1	Deadlatch
2	1	Thru-bolt Retainer
3	1	Inside Rose Liner
4	1	Outside Rose - Blank
5	1	Inside Rose
7	1	Inside Lever
8	1	Outside Hub - Communicating Classroom

Item No.	Q'ty	Description
11	1	Throw Member
17	1	Retractor
18	1	Inside Hub - Communicating Classroom
19	2	Chassis Screws
20	1	Inside Keycam - Communicating Classroom
21	1	Outside Rose Liner

# MB1A Series Service Manual

## 63(C)

### Clutch Communicating Classroom Lock

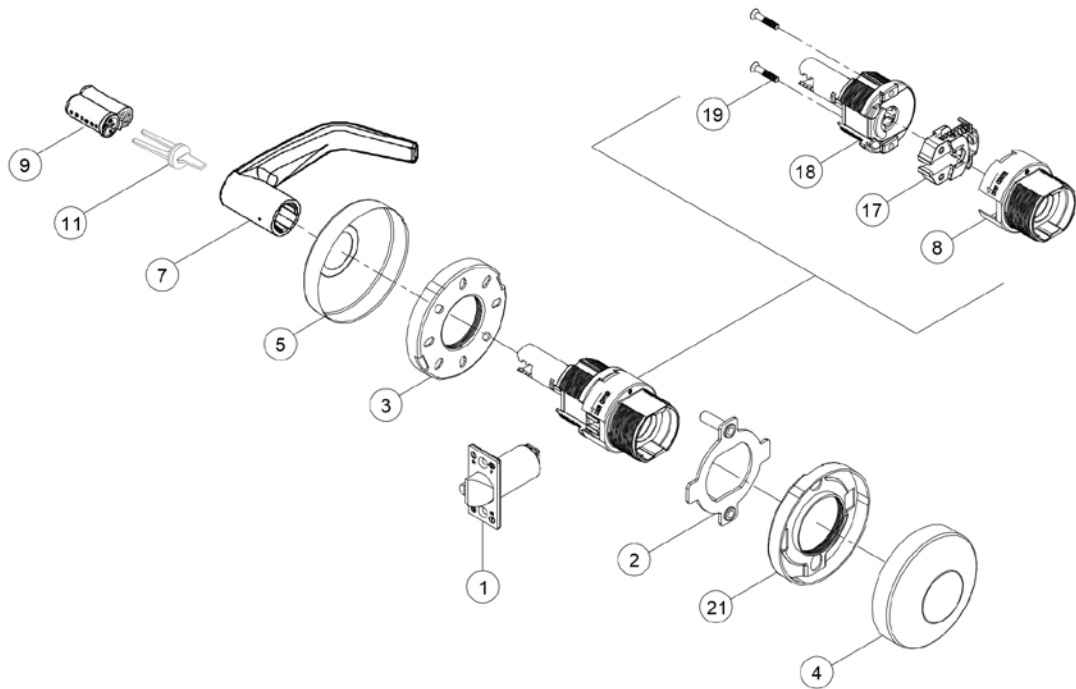


Item No.	Q'ty	Description
1	1	Deadlatch
2	1	Thru-bolt Retainer
3	1	Inside Rose Liner
4	1	Outside Rose - Blank
5	1	Inside Rose
7	1	Inside Lever
8	1	Outside Hub - Clutch Communicating Classroom

Item No.	Q'ty	Description
11	1	Throw Member
17	1	Retractor
18	1	Inside Hub - Clutch Communicating Classroom
19	2	Chassis Screws
20	1	Inside Keycam - Clutch Communicating Classroom
21	1	Outside Rose Liner

## 65

### Communicating Storeroom Lock



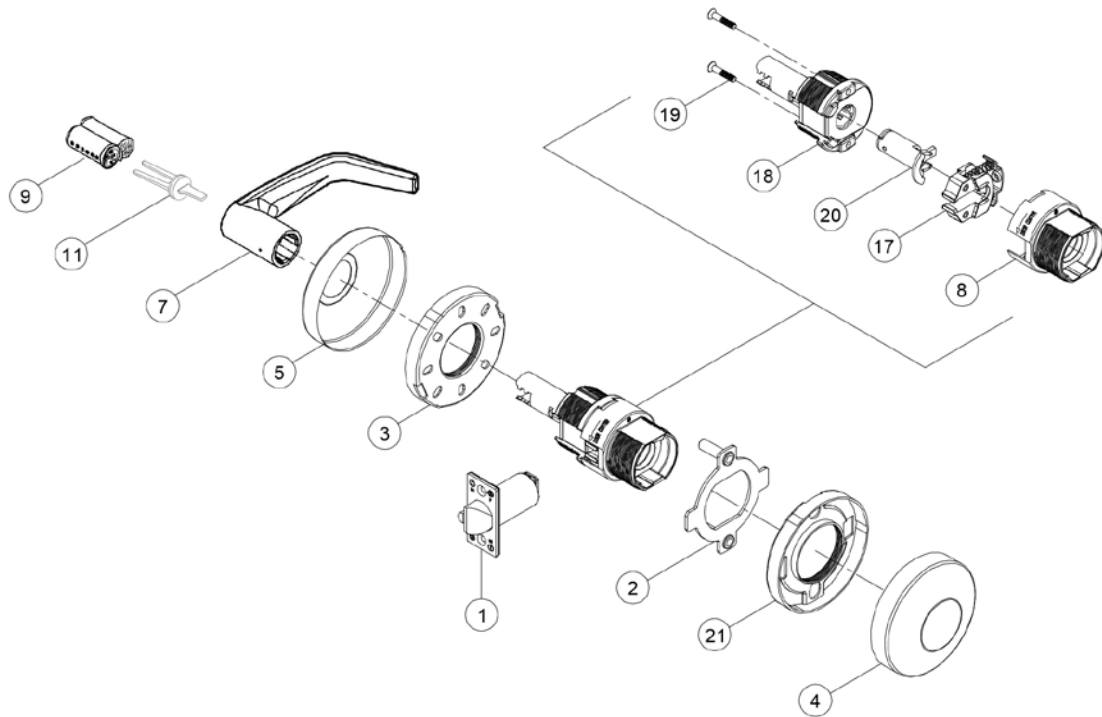
Item No.	Q'ty	Description
1	1	Deadlatch
2	1	Thru-bolt Retainer
3	1	Inside Rose Liner
4	1	Outside Rose - Blank
5	1	Inside Rose
7	1	Inside Lever
8	1	Outside Hub - Communicating Storeroom

Item No.	Q'ty	Description
11	1	Throw Member
17	1	Retractor
18	1	Inside Hub - Communicating Storeroom
19	2	Chassis Screws
21	1	Outside Rose Liner

# MB1A Series Service Manual

## 65(C)

### Clutch Communicating Storeroom Lock

















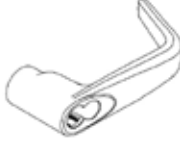



Item No.	Q'ty	Description
1	1	Deadlatch
2	1	Thru-bolt Retainer
3	1	Inside Rose Liner
4	1	Outside Rose - Blank
5	1	Inside Rose
7	1	Inside Lever
8	1	Outside Hub - Clutch Communicating Storeroom

Item No.	Q'ty	Description
11	1	Throw Member
17	1	Retractor
18	1	Inside Hub - Clutch Communicating Storeroom
19	2	Chassis Screws
20	1	Inside Keycam - Clutch Communicating Classroom
21	1	Outside Rose Liner

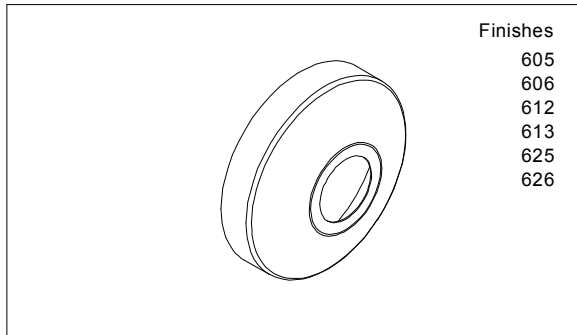


## Lever Designs

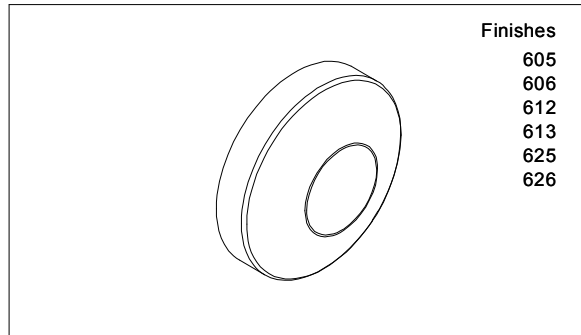
<p><b>14 Lever - Open</b></p>  <p>Finishes 605 606 612 613 625 626</p>	<p><b>15 Lever - Open</b></p>  <p>Finishes 605 606 612 613 625 626</p>	<p><b>16 Lever - Open</b></p>  <p>Finishes 605 606 612 613 625 626</p>
<p><b>14 Lever - Open</b></p>  <p>Finishes 605 606 612 613 625 626</p>	<p><b>15 Lever - Open</b></p>  <p>Finishes 605 606 612 613 625 626</p>	<p><b>16 Lever - Open</b></p>  <p>Finishes 605 606 612 613 625 626</p>
<p><b>14 Lever - Closed</b></p>  <p>Finishes 605 606 612 613 625 626</p>	<p><b>15 Lever - Closed</b></p>  <p>Finishes 605 606 612 613 625 626</p>	<p><b>16 Lever - SFIC</b></p>  <p>Finishes 605 606 612 613 625 626</p>
<p><b>14 Lever - Closed</b></p>  <p>Finishes 605 606 612 613 625 626</p>	<p><b>15 Lever - Closed</b></p>  <p>Finishes 605 606 612 613 625 626</p>	<p><b>16 Lever - LFIC</b></p>  <p>Finishes 605 606 612 613 625 626</p>
<p><b>14 Lever - SFIC</b></p>  <p>Finishes 605 606 612 613 625 626</p>	<p><b>15 Lever - SFIC</b></p>  <p>Finishes 605 606 612 613 625 626</p>	<p><b>16 Lever - Closed</b></p>  <p>Finishes 605 606 612 613 625 626</p>
<p><b>14 Lever - LFIC</b></p>  <p>Finishes 605 606 612 613 625 626</p>	<p><b>15 Lever - LFIC</b></p>  <p>Finishes 605 606 612 613 625 626</p>	<p><b>16 Lever - Closed</b></p>  <p>Finishes 605 606 612 613 625 626</p>

## Roses

Rose

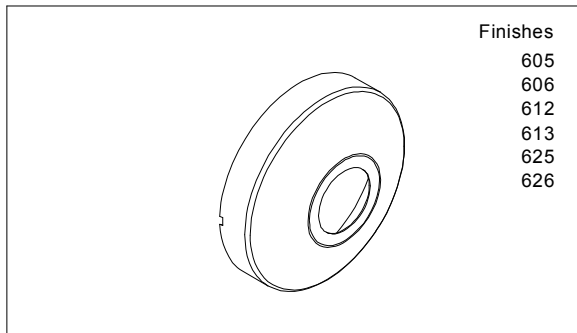


Blank Rose

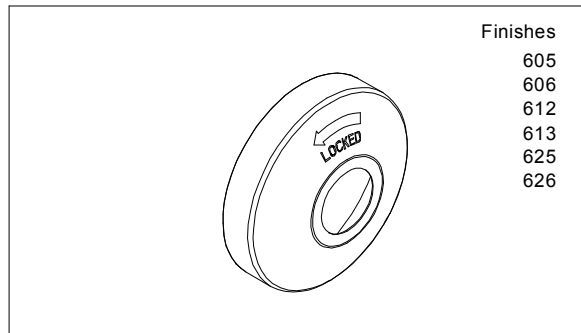


## Inside Rose

Rose

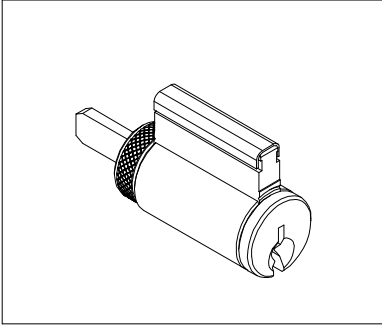


Rose - F110 Function

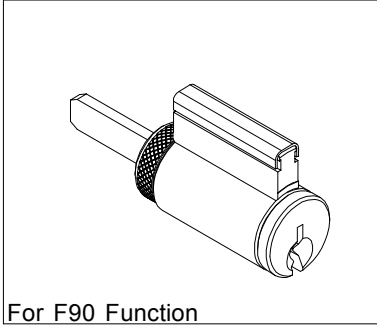


## Cylinders

**Standard Cylinder**

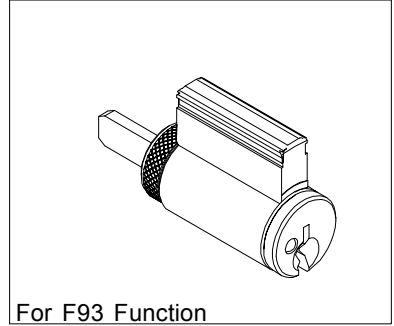


**Standard Cylinder**



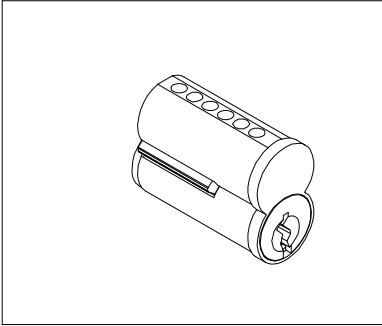
For F90 Function

**Standard Cylinder**

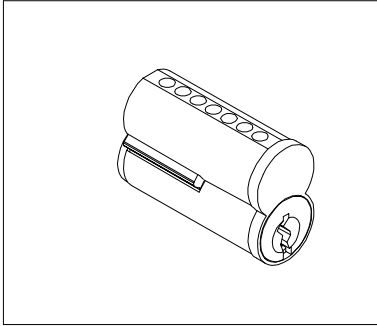


For F93 Function

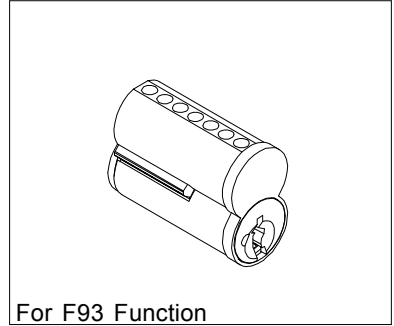
**I/C Core - 6 Pin**



**I/C Core - 7 Pin**



**Hotel I/C Core - 7 Pin**



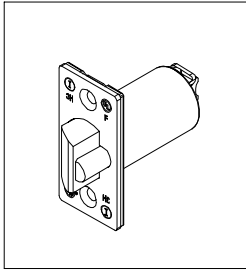
For F93 Function

# MB1A Series Service Manual

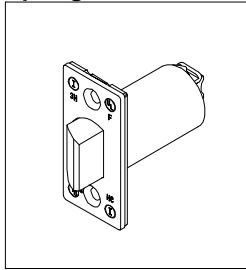
## Latches

All types of latch with 1" diameter housing and adjustable faceplates for flat or beveled doors.

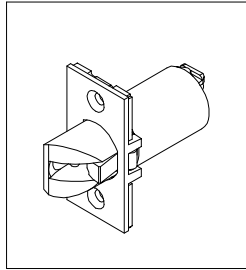
**Deadlatch**



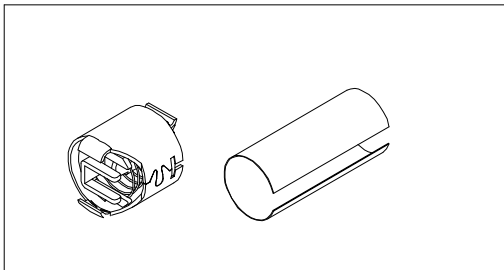
**Springlatch**



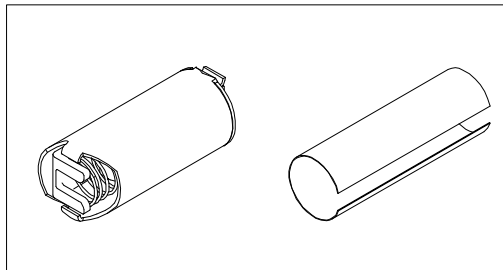
**Fire Door Deadlatch**



**3-3/4" Backset Extension Link**



**5" Backset Extension Link**



**Long Backsets - to join appropriate extension links with 2-3/4" backset latch for required backset.**

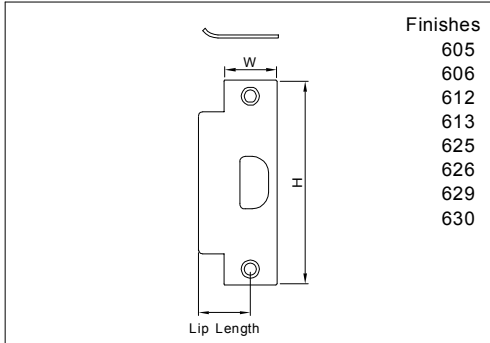
Backsets	2-3/4" Latch	Extension Links	Extension Sleeves
3-3/4"			
5"			

### Latches and Descriptions

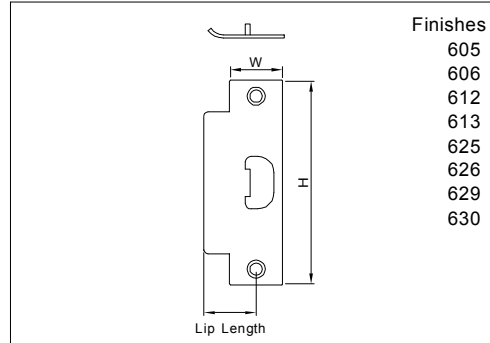
Types	Description
Deadlatch	Square corner faceplate, 1-1/8"x2-1/4", 1/2" throw
Springlatch	Square corner faceplate, 1-1/8"x2-1/4", 1/2" throw
Fire Door Deadlatch	Square corner faceplate, 1-1/8"x2-1/4", 3/4" throw

## Strikes

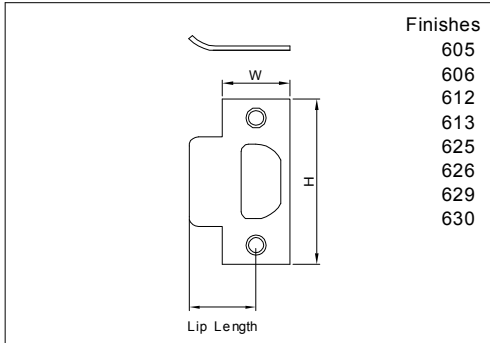
**ANSI Strike**



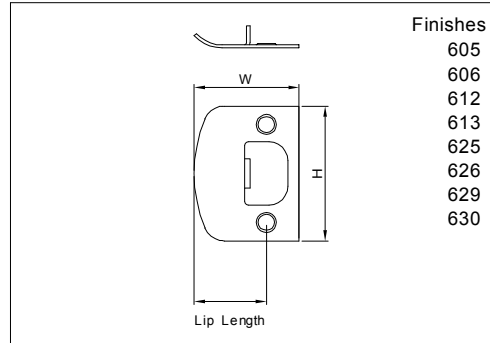
**ANSI Strike**



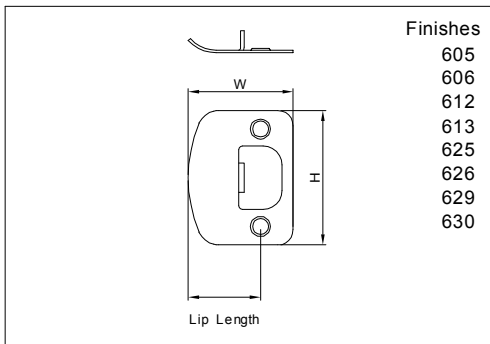
**T-Strike**



**Full Lip Square Corner Strike**



**Full Lip 1/4" Radius Corner Strike**

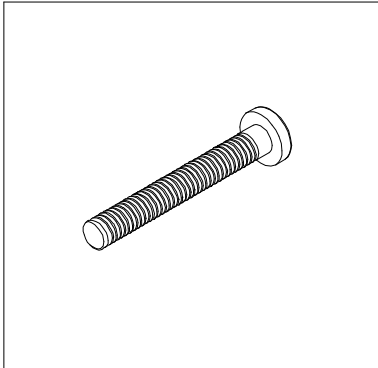


**Strikes and Descriptions**

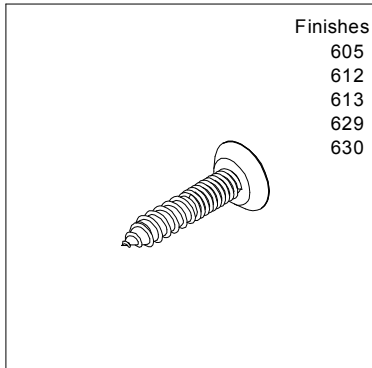
Types	Lip Length	Description	Size (H x W)
<b>ANSI Strike</b>	1-3/16"	Square Corner	4-7/8" x 1-1/4"
<b>T-Strike</b>	1-1/8"	Square Corner	2-3/4" x 1-1/8"
<b>Full Lip Square Corner Strike</b>	1-3/16"	Square Corner	2-1/4" x 1-3/4"
<b>Full Lip 1/4" Radius Corner Strike</b>	1-3/16"	1/4" Radius Corner	2-1/4" x 1-3/4"

## Components

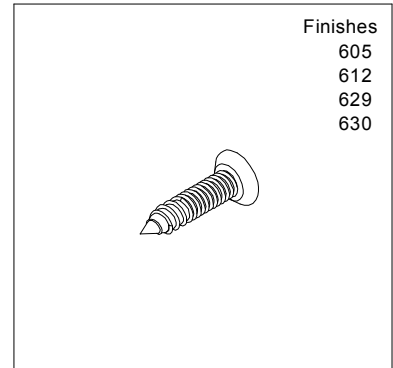
**Mounting Screw**



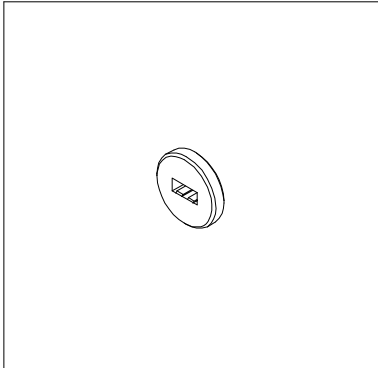
**Strike Screw**



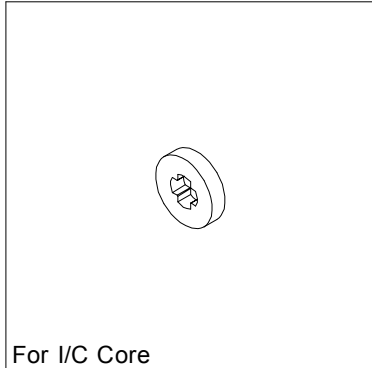
**Latch Screw**



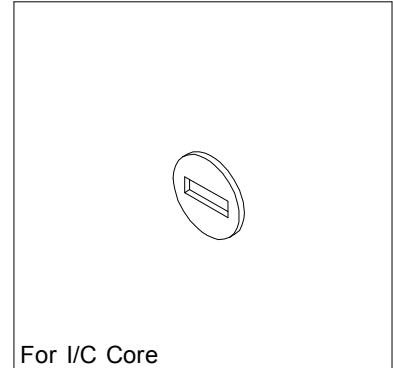
**Spacer**



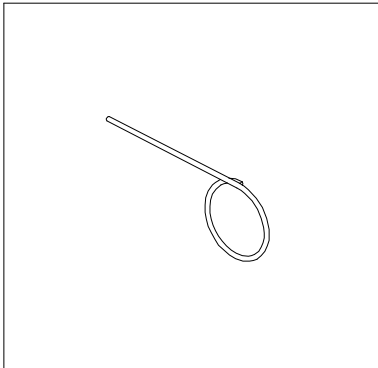
**Spacer**



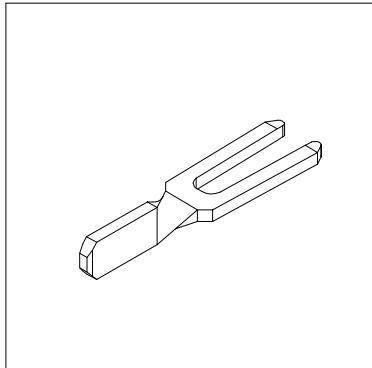
**Security Disc**



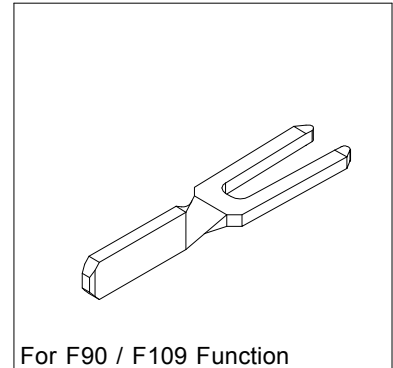
**Pin Wrench**



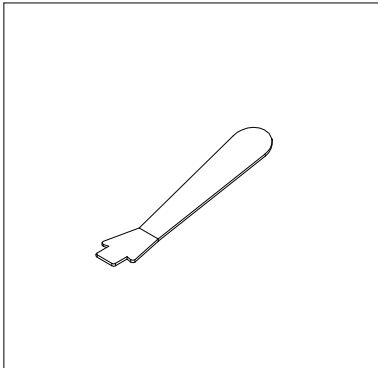
**Tailpiece**



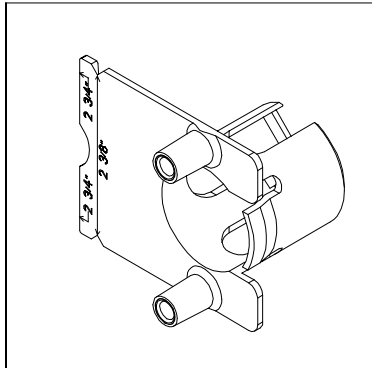
**Tailpiece**



**Spanner Wrench**

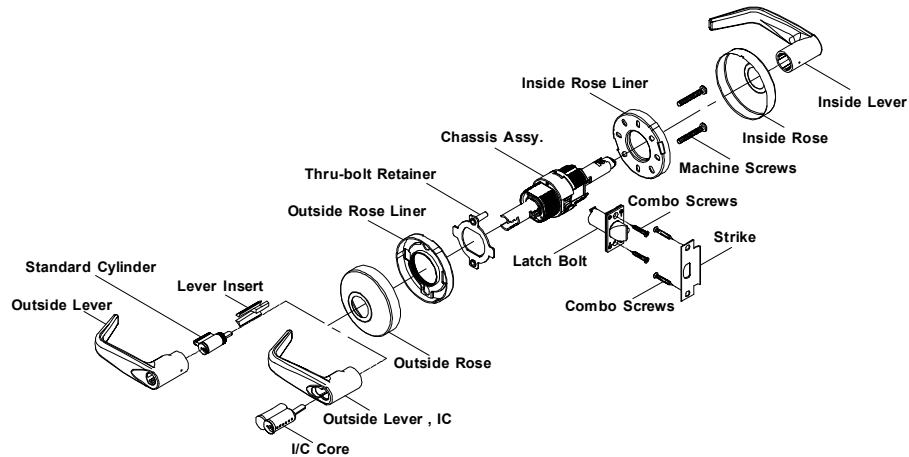


**Drill Fixture**



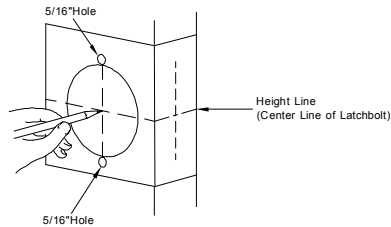
## Installation Instructions

### HOW TO INSTALL THIS CYLINDRICAL LEVER LOCK



#### 1. MARK DOOR

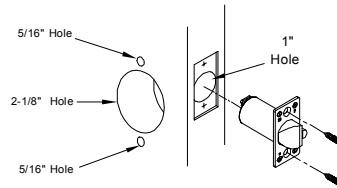
- Mark height line on edge of door approximately 38" from floor.
- Using the proper backset, mark 2 1/8" hole on both sides of the door.
- Mark 5/16" holes, two places on outside of the door.
- Mark the center of the door edge for the latch.



#### 2. DOOR PREPARATION

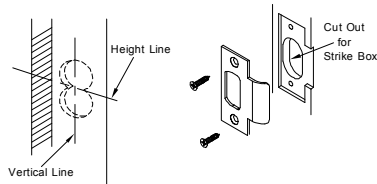
- Bore 2 1/8" hole thru and two 5/16" holes from both sides of door to prevent splintering door finish.
- Bore 1" hole for latch on door.
- Using the latch faceplate as a guide, trace outline and mortise door edge so latch is flush with door.
- Install latch with screws provided.

**NOTE :** Hollow metal doors must be properly reinforced for lock support (if support was not furnished, contact door manufacturer).



#### 3. INSTALL STRIKE

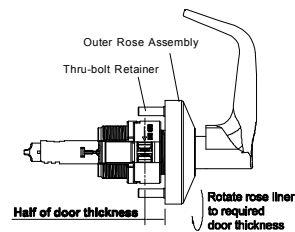
- Use strike locating tool or pointed object to locate position for hole in frame.
- Bore 1" x 3/4" deep hole. Use strike as a template and mortise to the proper depth.
- If dust box is to be used, clear area with wood chisel.



#### 4. CHASSIS ADJUSTMENT

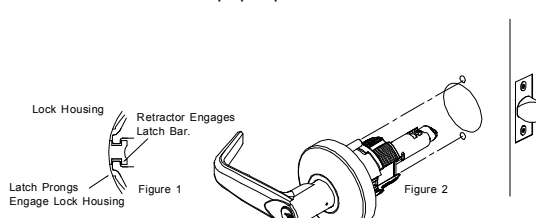
For door thickness adjustment:

- Remove Thru-bolt Retainer away from outer rose assembly.
- Rotate rose assembly to required position of door thickness.
- Move back Thru-bolt Retainer and mate with outer mounting plate.

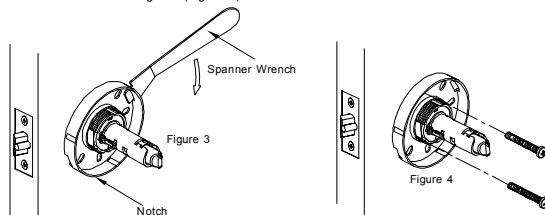


#### 5. INSTALL OUTSIDE CHASSIS

- For ease of installation, lock should be in the unlocked position.(Figure 1)
  - Slide chassis assembly into door from outside making sure that lock housing engages latch prongs, retractor must also engage latch bar.(Figure 2)
- IMPORTANT:** Chassis assembly must be positioned in center of door for proper operation.



- Screw inside security mounting plate onto hub and tighten firmly by rotating plate with spanner wrench, adjust screw holes in plate to align with through bolts.(Figure 3)
- (NOTE: Also adjust either one of the notch in plate towards bottom.)
- Insert screws and tighten.(Figure 4)



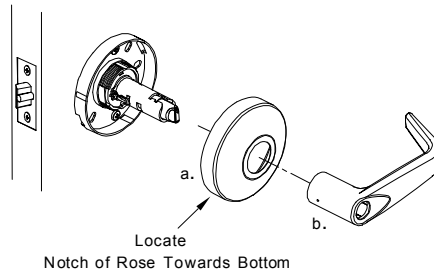
**NOTE:** Adjust either one of the notch in security mounting plate towards bottom.

**CAUTION:** Do not attempt to mount lock unit with door closed.

## Installation Instructions

### 6. INSTALL INSIDE TRIM

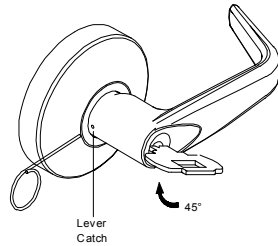
- Locate the notch on edge of rose towards bottom and push in until flush with face of door.
- Align lever with spindle and push lever catch engages with hole.
- Check function before closing door.



### 7. INSTRUCTIONS FOR REMOVING KEYED LEVERS

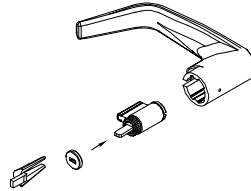
#### 7.1 REMOVING LEVERS

- For Outside Levers Only: Turn key 45° clockwise and hold.
- Depress lever catch and pull off lever and cylinder.



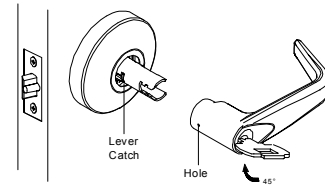
#### 7.2 INSTALLING STANDARD CYLINDERS INTO LEVERS

- Attach a spacer on tailpiece.
- Insert cylinder into lever.
- Insert key into cylinder to hold and align cylinder.
- Put lever insert into lever to secure cylinder.



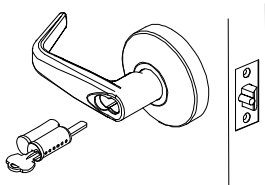
#### 7.3 INSTALLING STANDARD CYLINDERS & LEVERS

- Align hole in lever with lever catch on spindle assembly and slide lever up to lever catch.
- For Outside Levers Only: Turn key or button 45° clockwise and hold.
- Push lever in to engage lever catch.
- Check function before closing door.



#### 7.4 REMOVING IC CORE

- Unlock lockset.
- Turn control key 15° clockwise (CW) or until key stops.
- Pull key to remove IC core.

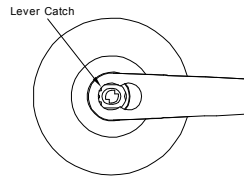


#### 7.5 INSTALLING IC CORE

- With control key in core rotate key 15° clockwise and insert fully into lever.
- Turn the key counter-clockwise and remove key.
- Check function before closing door.

#### 7.6 REMOVING IC LEVERS

- With IC core removed, using a screwdriver, depress lever catch and pull lever to remove.

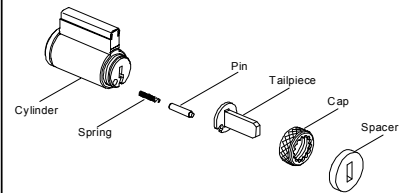


#### 7.7 INSTALLING IC LEVERS

- Push lever in until lever catch engages with lever.

#### 7.8 TAILPIECE INSTALLATION

- Insert spring and pin into cylinder.
  - Place tailpiece into cap.
  - Thread cap onto the cylinder.
  - Attach a spacer on tailpiece.
- NOTE: The cap must be properly adjusted. If too loose, excessive plug end play will prevent the key from being withdrawn. If too tight, the plug will drag and be difficult to rotate with the key.**



#### 7.9 CYLINDER TIMING

For Store Function:

- Install lock on door as shown in steps 1 thru 7.
- Using a 1/4" diameter philips screwdriver, turn key spindle until stop and lever is locked.
- Turn back the key spindle 1/2 turn.
- If IC go to g.. Remove standard cylinder lever.
- Insert cylinder into lever as shown in step 8.2.
- Insert lever and cylinder onto spindle and shown in step 8.3.
- For IC: Install IC lever into spindle as shown in step 8.7. Insert cylinder into lever as shown in step 8.5.
- Repeat a. thru g. for opposite side.
- Check operation:
  - Outside-turn key **CCW 270°** to unlock.
  - turn key **CW 180°** to lock.
  - Inside -turn key **CCW 270°** to unlock.
  - turn key **CW 180°** to lock.

For Communicating & Classroom Function:

- Install lock on door as shown in steps 1 thru 7.
- Using a 1/4" diameter philips screwdriver, turn key spindle until stop and lever is locked.
- If IC go to g.. Remove standard cylinder lever.
- Insert cylinder into lever as shown in step 8.2.
- Slide lever and cylinder onto the spindle and push the cylinder in to engage the key spindle.
- Insert key into cylinder and turn **CW 45°**.
- For IC: Insert cylinder into lever as shown in step 8.4.
- Check operation:
  - Outside-turn key **CW 360°** to unlock.
  - turn key **CCW 360°** to lock.

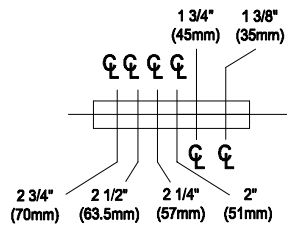
This product is covered by one or more of the following patents: 4725086, 4732023, 4744232, 4750766, 4756178, 4809526, 4838053, 4840412, 4840413, 4921289, 4930822, 5149151, 5177987, 5887465, 5983683, 5987947, 6041630, 6279360 B1, 6302457 B1, 6364383 B1 and other patents pending.



## Templates

**IMPORTANT :**

Check door thickness before drilling.



Drill 1" (25mm) Dia. Hole on Door Edge Center Line

### Installation Template of Heavy Duty Lever Set

**For Wood or Metal Door**

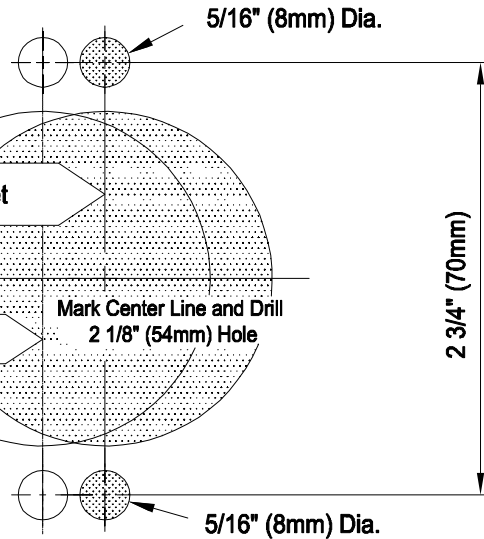
Drill two 5/16" dia. holes on vertical center line from both sides of door.

Fold and Align Template on Edge of Door

2 3/4" (70mm) Backset

2 3/8" (60mm) Backset

Place Template on High Edge of Bevel



2 3/4" (70mm)

WD-OD002(131)

## Finishes

### Finish Codes and Descriptions

Finish	Description	ANSI / BHMA Code
605 (PB)	Bright brass , clear coated	US 3
606 (SB)	Satin brass , clear coated	US 4
612 (SBZ)	Satin bronze , clear coated	US 10
613 (OB)	Dark oxidized satin bronze , oil rubbed	US 10B
625 (PC)	Bright chromium plated over nickel	US 26
626 (SC)	Stain chromium plated over nickel	US 26D

**Note**