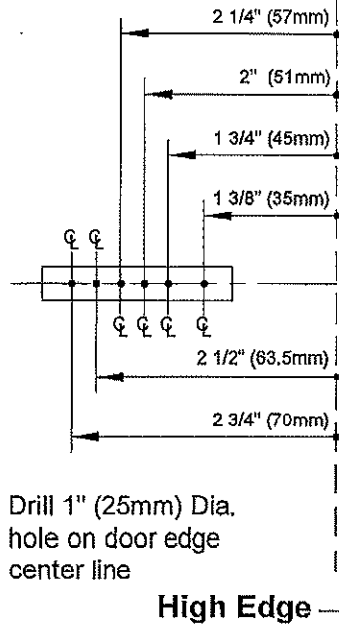


IMPORTANT :

Check door thickness before drilling.



Fold and Align Template on Edge of Door

Installation Template of Electrified Lever Set

For Wood or Metal Door

Drill two 5/16" dia. holes on vertical center line from both sides of door.

