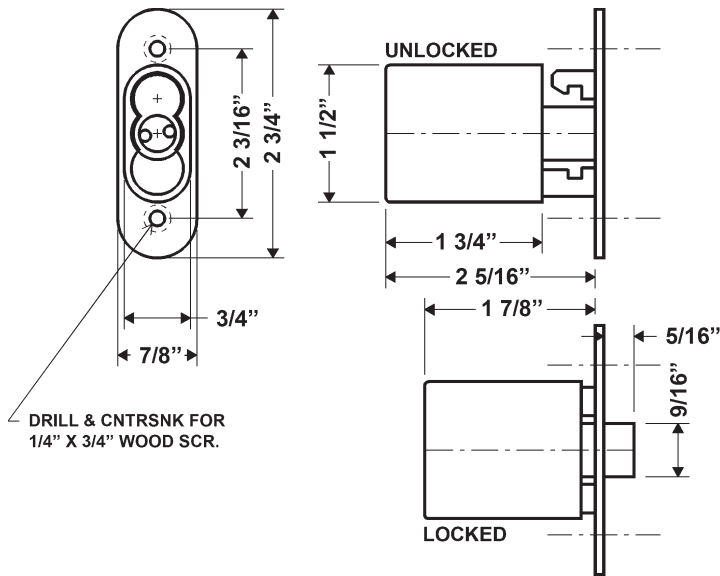
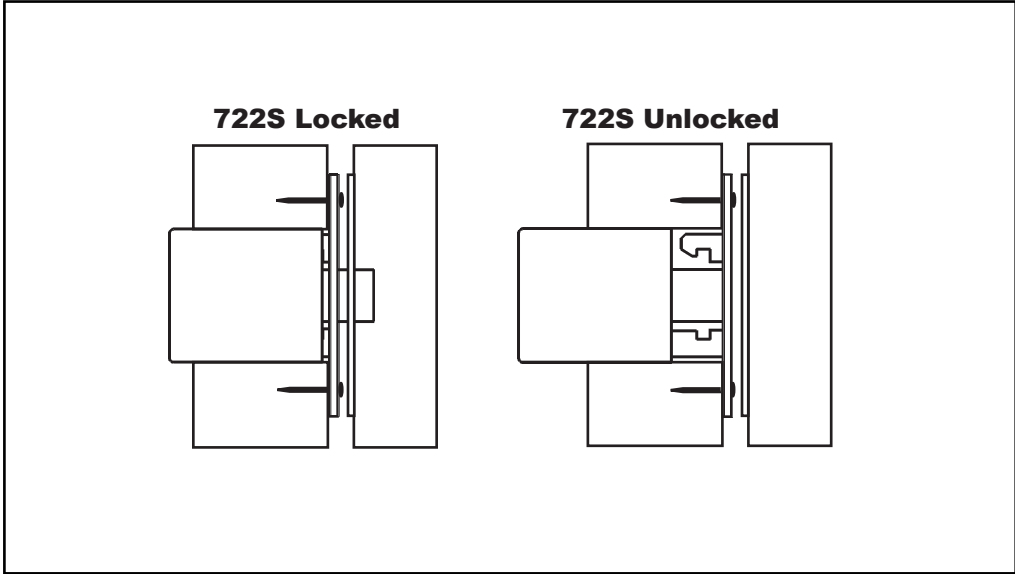



Installation Instructions

722S

Typical Installation



Title Installation instructions for 722S series sliding door lock					
Series 722S	Barrel Length 1"	Bolt type Plunger	Mounting Surface	Revision Date 06/2004	