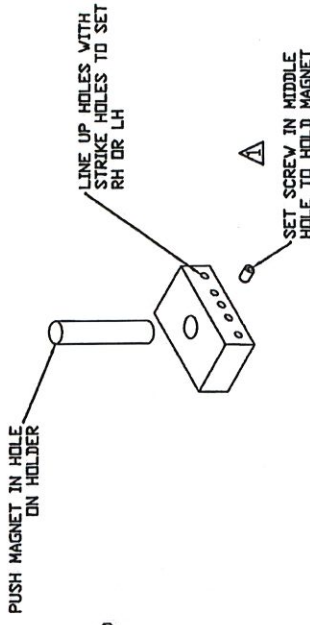
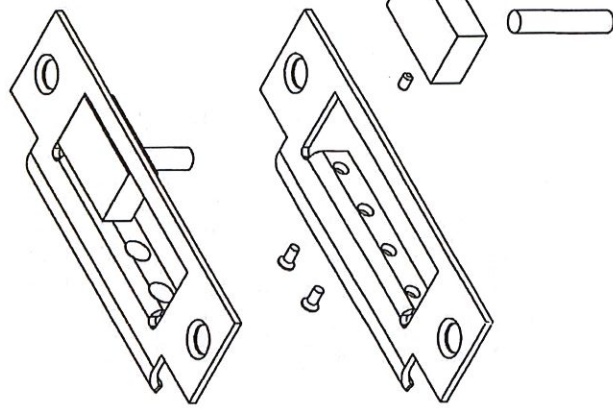


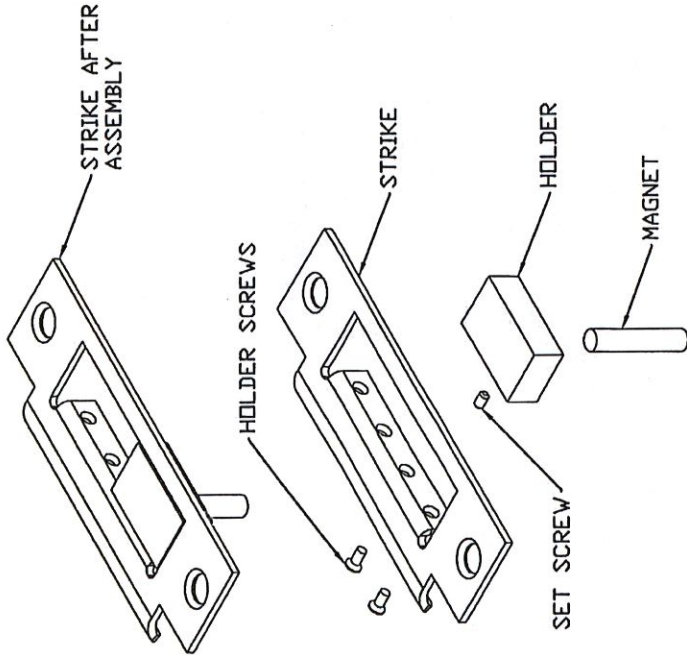
REV DESCRIPTION DATE



MAGNET HOLDER DETAIL



STRIKE ASSEMBLY FOR LEFT HAND DOOR SHOWN



STRIKE ASSEMBLY FOR RIGHT HAND DOOR SHOWN

Marshall Best Security Corporation 13097 Parkside Drive, Suite B Fishers, Indiana 46038 317-806-1180 www.MarshallBestSecurity.com		DRAFT UNLESS OTHERWISE SPECIFIED: 1" MAX DRAWN BY: C.M. DATE: 5/29/09	TOLERANCES UNLESS OTHERWISE SPECIFIED: X.X (METRIC) = ±0.4 X.XX (METRIC) = ±0.15 FRACTIONS = ±.03 ANGLES = ±1/2° .12 MACHINED SURFACES 125° THIRD ANGLE	MATERIAL: NOTED HEAT TREAT: N/A FINISH: PER ORDER TITLE: STRIKE ASSEMBLY INSTRUCTIONS PART#: TS AS8737-X-ELEC
---	--	---	--	--

THIS DRAWING AND THE INFORMATION CONTAINED THEREON OR DERIVED THEREFROM ARE THE CONFIDENTIAL PROPERTY OF MARSHALL BEST SECURITY CORPORATION. IT IS NOT TO BE REPRODUCED, OR DISCLOSED TO OTHERS, AND MAY BE USED ONLY FOR THE PURPOSE OF ENABLING THE PARTY TO WHOM IT HAS BEEN LOANED TO QUOTE ON OR FILL AN ORDER FOR MARSHALL BEST SECURITY CORPORATION, OR AS MAY BE OTHERWISE AUTHORIZED BY MARSHALL BEST SECURITY CORPORATION IN WRITING.

⚠ TIGHTEN MAGNET IN BLOCK WITH SET SCREW FIRST
 NOTES: