

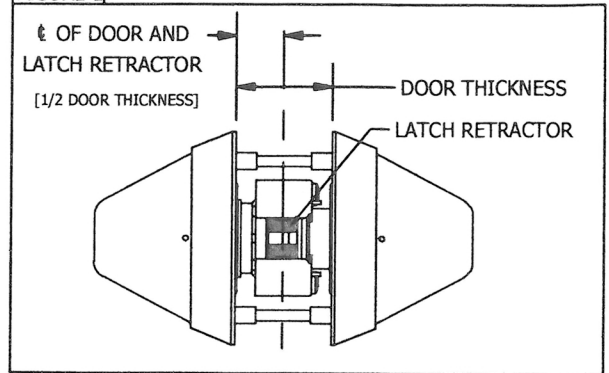


# INSTALLATION INSTRUCTIONS FOR DW (DOUBLE CYLINDER) FUNCTION

## ADJUST LOCKSET

- 1.) Measure door thickness. If door thickness is 1 3/4" no adjustment is needed. Proceed to "Install Lockset" section below.
  - 2.) The distance from the mounting surface of the threaded rose to the centerline of the latch retractor must be equal to 1/2 door thickness (see Figure 1).  
[ex. for 1.750" door, distance to latch retractor centerline = 0.875"]
  - 3.) Remove both levers.
  - 4.) While depressing spring-loaded lever catch, rotate threaded rose (in or out) to adjust for door thickness
- NOTE: 1/2 rotation (180°) will move rose in/out by 0.020", 1 full rotation will move in/out 0.040"

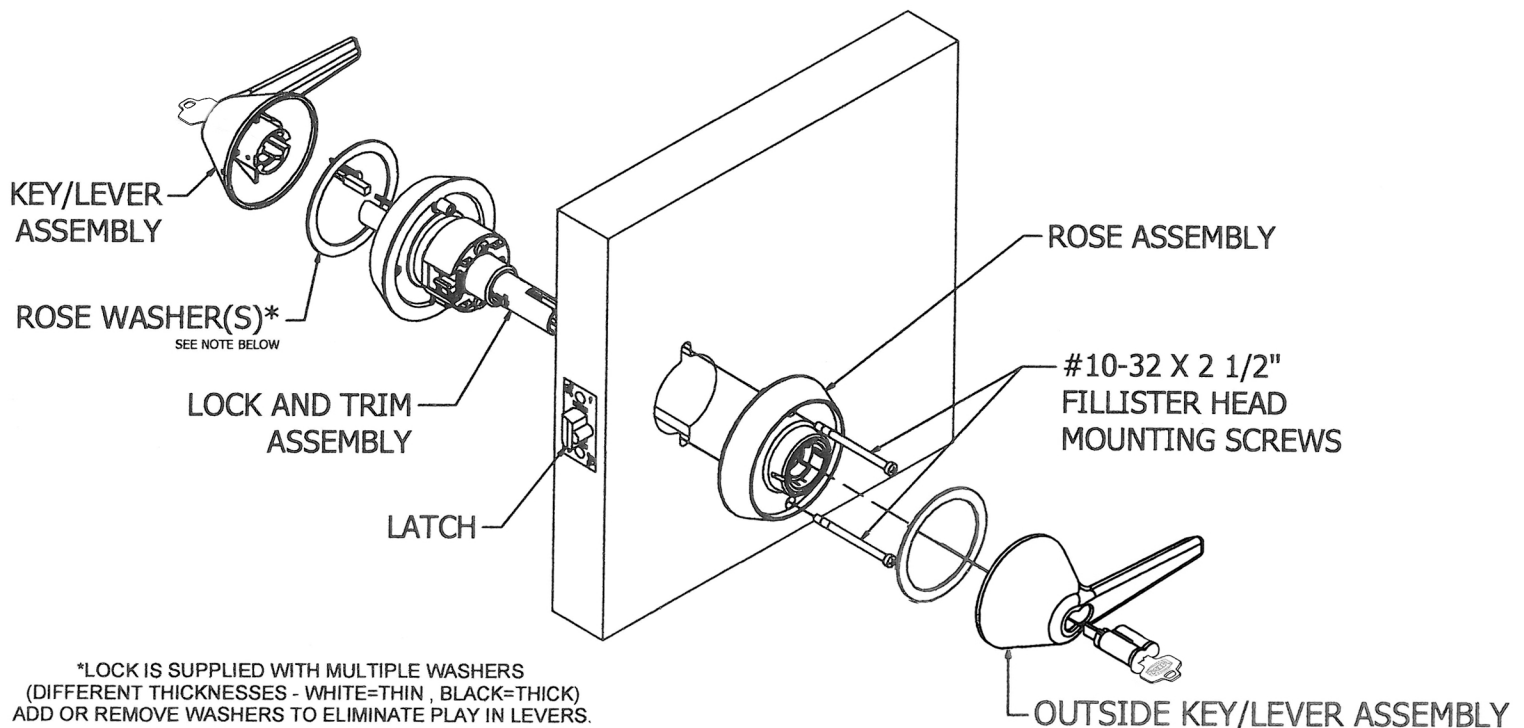
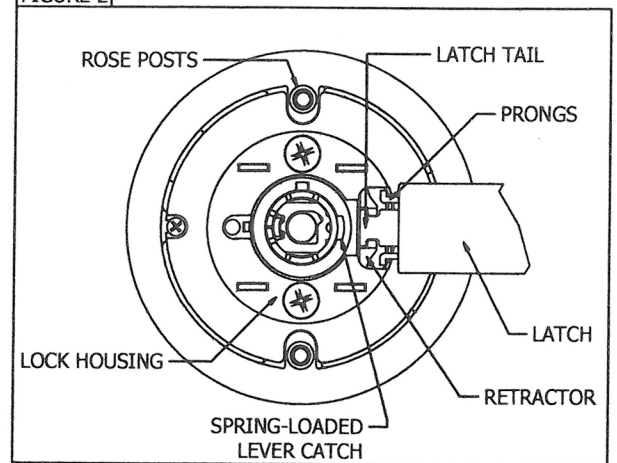
FIGURE 1



## INSTALL LOCKSET

- 1.) Align inside lever/rose assembly so rose posts enter thru-bolt holes in door.
- 2.) Push lock and trim assembly through 2-1/8" hole so that retractor engages latch tail.
- 3.) Prongs must engage inside lock housing (Figure 2).
- 4.) Check from opposite side of door to ensure that latch is properly engaged.
- 5.) Slide rose assembly over tube, passing the spring-loaded lever catch.
- 6.) Fasten rose assembly with 2 mounting screws.
- 7.) Install plastic washers between both lever and rose assemblies.  
The black and white washers provided are different thicknesses, it may be necessary to use multiple washers of varying thickness (ex. 1 black and 1 white washer) to achieve desired lever operation. Washers may be added or removed as needed to eliminate excess play from lever handle. When determining required washer thickness, ensure the lever properly engages lever catch and does not pull off. If lever has excessive play that cannot be removed through use of washers, repeat adjustment procedure above.
- 8.) Turn key 45° either direction in cylinder .
- 9.) Slide and push lever handle over tube until spring loaded lever catch is fully engaged.
- 10.) Remove key from cylinder then check lock for proper operation before closing door.

FIGURE 2



\*LOCK IS SUPPLIED WITH MULTIPLE WASHERS (DIFFERENT THICKNESSES - WHITE=THIN, BLACK=THICK) ADD OR REMOVE WASHERS TO ELIMINATE PLAY IN LEVERS.

ENSURE LEVER IS PROPERLY ENGAGED AFTER FINAL ASSEMBLY. IF WASHER(S) ARE TOO THICK, LEVER HANDLE WILL NOT ENGAGE KNOB CATCH.